

# FOR EVERYTHING IN ELECTRONICS

# Wireless World

MAY 1983

80p

**Forth microcomputer**

**UOSAT data and picture decoder**

**Microprocessor d.v.m.**

**Versatile accelerometer**

Australia A\$ 2.70  
Canada C\$ 3.25  
Denmark DKR. 33.25  
Germany DM. 7.00  
Greece DRA. 190.00  
Holland DFL. 8.50  
Italy L. 3700  
New Zealand NZ\$ 3.00  
Norway NKR. 26.00  
Singapore S\$ 5.50  
Spain PTS 275.00  
Switzerland FR. 7.00  
U.S.A. \$ 3.75

# dual trace oscilloscopes

LOW COST, COMPACT BRITISH MANUFACTURED OSCILLOSCOPES  
FOR TEST, SERVICE OR DEVELOPMENT ENGINEERS



- DT12-5 Dual trace, 12MHz, general use

---

- DTV12-14 As above plus differential mode etc.  
- useful in any service applications

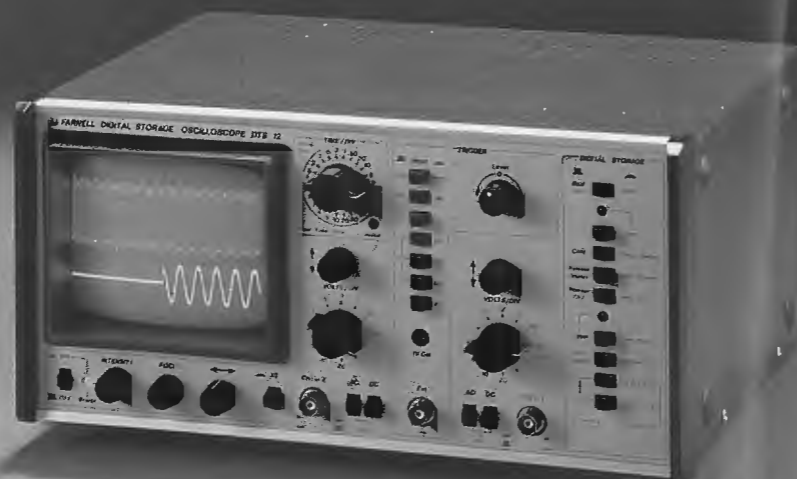
---

- DTC12 As above plus component tester  
- a really versatile 'scope at a bargain price

---

- DTS12 Our new digital storage 'scope  
- at a remarkably low price

Free colour brochure describes the range.  
Send for your copy now!



from  **Farnell**

FARNELL INSTRUMENTS LIMITED · WETHERBY · WEST YORKSHIRE LS22 4DH · TEL. (0937) 61961 · TELEX 557294

REGIONAL OFFICE SOUTH: TEL. HARPENDEN (05827) 66123/4

WW-001 FOR FURTHER DETAILS

FOR EVERYTHING IN ELECTRONICS  
**Wirelessworld**



A direct-from-the-screen photograph of an image generated using Advanced Electronic Design Inc software and a Dicol AD767 colour graphics terminal.

## NEXT MONTH

Microcomputer organ interface allows connection of a Nascom 2 Z80 micro to an electronic organ or a pipe organ with electric action. The micro will store and replay music played on the organ, and music can be typed on the Nascom keyboard.

Enigma was the name of the German World War II cypher machine. D. W. Rollema tells the story of the cracking of its code and examines the working of the machine.

A precision analogue voltmeter design, for audio and other purposes, offering many of the features found on digital instruments but without the ergonomic disadvantages.

On-site calculation of antenna bearings for satellite tv broadcasts: a computer program to deal with some of the problems aerial installers will soon be facing.

Current issue price 80p, back issues (if available) £1, at Retail and Trade Counter, Units 1 & 2, Bankside Industrial Centre, Hopton Street, London SE1. Available on microfilm; please contact editor.

By post, current issue £1.23, back issues (if available) £1.80, order and payments to EEP General Sales Dept., Quadrant House, The Quadrant, Sutton, Surrey SM2 5AS Tel: 01-661 8668.

Editorial & Advertising offices: Quadrant House, The Quadrant, Sutton, Surrey SM2 5AS.

Telephones: Editorial 01-661 3614. Advertising 01-661 3130. See leader page. Telex: 892084 BISPRS G.

Subscription rates: 1 year £14 UK and £17 outside UK.

Student rates: 1 year £9.35 UK and £11.70 outside UK.

Distribution: Quadrant House, The Quadrant, Sutton, Surrey SM2 5AS. Telephone 01-661 3248.

Subscriptions: Oakfield House, Perry-mount Road, Haywards Heath, Sussex RH16 3DH. Telephone: 0444 59188. Please notify a change of address.

USA: \$44 surface mail, \$98.30 airmail. Business Press International, Subscriptions Office, 205 E. 42nd Street, NY 10017.

USA mailing agents: Expeditors of the Printed Word Ltd, 527 Madison Avenue, Suite 1217, New York, NY 10022. 2nd class postage paid at New York.

© Business Press International Ltd 1983 ISSN 0043 6062.

# Wirelessworld

FOR EVERYTHING IN ELECTRONICS

MAY 1983

VOL 89 NO 1568

- 27 IMPOSSIBLE LOYALTIES

---

- 28 DATA DECODER FOR UOSAT  
by J. R. Miller

---

- 34 DOCTRINES OF COPENHAGEN  
by W. A. Scott Murray

---

- 36 IBM SELECTRIC-TO-TRS80 INTERFACE  
by Anthony T. Scarpelli

---

- 40 COMMUNICATIONS

---

- 46 TELETEXT DECODER ENHANCEMENTS  
by K. Drew

---

- 48 MICROPROCESSOR VOLTMETER HAS EIGHT CHANNELS  
by Nigel C. Gardner

---

- 51 ASSEMBLY-LANGUAGE PROGRAMMING  
by R. F. Coates

---

- 53 FORTH COMPUTER  
by Brian Woodroffe

---

- 59 LETTERS TO THE EDITOR

---

- 63 CIRCUIT IDEAS

---

- 66 LOW-COST ACCELEROMETER  
by N. Pollock

---

- 71 VIEWDATA DISPLAY MODULE  
by K. Drew

---

- 76 DIGITAL FILTER DESIGN EXAMPLES  
by J. T. R. Sylvester Bradley

---

- 79 NEW PRODUCTS





# AMCRON INDUSTRIAL MUSCLE

- ★ POWER RESPONSE DC — 45KHz ± 1dB.
- ★ OUTPUT POWER IN EXCESS OF 1.5KW INTO 2.75 Ohm LOAD! (CONTINUOUS R.M.S.)
- ★ D.C. OUTPUT 20 AMPS AT 100 VOLTS OR 2KVA.
- ★ HARMONIC DISTORTION LESS THAN 0.05% DC-20KHz AT 1KW INTO 6 OHMS.
- ★ PLUG-IN MODULES: CONSTANT VOLTAGE/CURRENT, PRECISION OSCILLATORS.
- ★ UNIPOLAR AND BIPOLAR DIGITAL INTERFACES, FUNCTION GENERATORS, AND MANY OTHERS.
- ★ OUTPUT MATCHING TRANSFORMERS AVAILABLE TO MATCH VIRTUALLY ANY LOAD.
- ★ FULL OPEN AND SHORT CIRCUIT PROTECTION GUARANTEED STABLE INTO ANY LOAD.
- ★ TWO UNITS MAY BE CONNECTED TO PROVIDE UP TO 4KW.
- ★ INTERLOCK CAPABILITY FOR UP TO EIGHT UNITS.
- ★ 3-YEAR PARTS AND LABOUR WARRANTY.
- ★ UNITS AVAILABLE FROM 100VA-12KVA.



Model — M600

For full details on all Amcron Products write or phone Chris Flack

P.O. BOX 3  
ATTLEBOROUGH  
NORFOLK NR17 2PF  
Tel: 0953-452477

## Analogue Associates

PROFESSIONAL INDUSTRIAL ELECTRONICS

WW — 012 FOR FURTHER DETAILS

## THE SOURCE... of all good used test equipment

Electronic Brokers are Europe's leading Second User Equipment Company. We carry large stocks of the very latest test equipment which is refurbished in our own service laboratories and calibrated to meet the manufacturer's sales specifications. When you buy used equipment from Electronic Brokers, it can be yours in just days. No waiting for manufacturers lengthy production schedules. All equipment is fully guaranteed.

### ANALYSERS

- Dranetz**  
606-3 Line Disturbance Mpritor £2500.00
- Hewlett Packard**  
141T/8552B/8555A 10MHz-18GHz £9300.00
- 3582A Spectrum Analyser 0.02Hz-25.5KHz £6350.00
- 5004A Signature Analyser £550.00
- 5420A Digital Signal Analyser c/w Digital Filter 54470B, A/D Converter 54410A £21,000.00
- B407A/B412A Network Analyser £1950.00

### Solartron

- 7055 Microprocessor DMM. Scale Length 20,000. AC/DC volts, resistance. 1µV resolution. £495.00

### OSCILLOSCOPES

- Hewlett Packard**  
1332A High Quality CRT Display 9.6 x 11.8cm £1250.00
- 1720A Dual Trace 275MHz with Delay T'Base and probe power £2500.00
- 1809A 100MHz 4 Channel Plug In £2000.00
- 1821A Timebase Plug In £1000.00

### Philips

- PM3232 Dual Beam 10MHz £495.00
- PM 3234 True Dual Beam Storage Oscilloscope 10MHz New CRT. £1500.00

### Marconi

- TF2337 Automatic Distortion Analyser £250.00
- 1172 TFA £4000.00

### Solartron

- AA501 opt 01. Distortion 10Hz — 100KHz to Less than 0.0025% £1450.00
- DF1 Display Formatter For 7001. £850.00
- 308 Portable 8 Channel 20MHz Data Analyser £2100.00
- 491 Spectrum Analyser 10MHz-40GHz £7000.00

### Tektronix

- 492 (opt 01, 08) Spectrum Analyser 50KHz-220GHz £13000.00
- 492P (opt 01, 2, 3) Programmable Version of 492 £20000.00
- 71.5 Spectrum Analyser with opt 25 (Tracking Gen) and L3 (50µ input) 20Hz — 5MHz £7300.00
- 71.12 Spectrum Analyser 100KHz-1.8GHz £8000.00
- 71.13 Spectrum Analyser 1KHz-1.8GHz £7500.00
- 71.14 Spectrum Analyser 10KHz-1.8GHz £9450.00
- 71.18 Spectrum Analyser 1.5GHz-60GHz £9950.00

### TR502

- Tracking Generator (for 71.12, 13 & 14) £3200.00
- TR503 Tracking Generator (for 492/496 series) £3250.00
- 5L4N Spectrum Analyser 20Hz-100KHz £2350.00
- 7001 16 Channel 100MHz Sample Rate £2450.00

### BRIDGES

- Marconi**  
TF1313A0.1% LCR Bridge £775.00
- TM4520 Set of Inductors £350.00

### Wayne Kerr

- B642 LCR 0.1% £795.00
- SR268 Source & Detector £875.00

### DVM's AND DMM's

- Datron**  
1059 Bench DMM 5 1/2 digit DC and True RMS AV volts and current + resistance £700.00

### Telequipment

- DM63 Storage Oscilloscope Fitted with 2 x V4 Plug-ins to give 4 Trace 15MHz £1350.00
- S1 Sampling Head. As New £450.00
- D1016A Dual Trace 20MHz 'As New' £350.00

### SIGNAL SOURCES

- Hewlett Packard**  
608E 10-480MHz. AM or Pulse Modulation. Output 0.1µV-1V £1000.00
- 612A 450-1230MHz. AM or Pulse Modulation. Output 0.1µV-0.5V £1500.00
- 616B 1.8-4.2GHz int or ext. PCM/FM 0.1µV-0.224V £1000.00
- 651B Test Oscillator. 10Hz-10MHz. 0.1mV-3.16V £415.00
- 3320A Frequency Synthesizer. 0.01Hz-13MHz £995.00
- 8690B Sweeper Mainframe with 8698B Plug In. 0.4 — 110MHz. £4000.00

### Marconi

- TF2000 20Hz-20KHz Low Distortion with 0-11 dB Attenuator in 0.1dB steps £575.00
- TF2002B with TF2170 Synchronizer 10KHz-88MHz AM/FM Modulation £1700.00
- TF2120 0.0008Hz-100KHz Waveform Generator £900.00
- TF2008 AM/FM 10KHz-510MHz built in sweeper. Output: 0.2µV-200mV £3500.00
- TF2016A + TF2173 Synchroniser AM/FM 10KHz-120MHz £2000.00
- TF2169 Pulse Modulator for use with TF2015 or TF2016 £200.00

### Philips

- PM6456 Stereo Generator. £250.00

### Racal

- 9081 AM, FM, Phase and Pulse Synthesized 5-520MHz £2200.00

### Radiometer

- SMG1 Stereo Generator £375.00

### TEKTRONIX TV TEST EQUIPMENT

- 141A PAL Test Signal Generator £1750.00
- 14B PAL Insertion Test Generator £4000.00
- 14B5C PAL/NTSC Dual Standard Waveform Monitor £2950.00
- 651HR 12" PAL Colour Monitor (Mint) (NTSC + PAL + RGB) £3250.00
- 655HR-1 TV Colour Picture Monitor (NTSC + PAL + RGB) £3800.00
- 656HR PAL/SECAM Monitor. £3900.00
- 1411R TV Generator. Various Systems available. POA

### MISCELLANEOUS

- Bruel & Kjaer**  
2209 Sound Level Meter £975.00
- Ferrograph**  
RTS1 Test Set £295.00
- Fluke**  
515A Portable Calibrator DC/AC and Resistance with DC Resolution 0.2µV £1750.00
- 845 AB Null Detector £810.00
- 3010A Logic Tester. Self Contained. Portable. Full Spec. on Request. £8500.00

### TEKTRONIX PLUG INS

- We stock a complete range of Plug Ins for use with 7000 and 5000 series Mainframes.

### TEKTRONIX TM500 SERIES

- AF501 Bandpass Filter/Amplifier £400.00
- AM501 Op Amp Gain 10,000 £300.00
- AM502 Diff. Amp Gain 1 — 100K £500.00
- DM502A True R M S 3 1/2 digit DMM £250.00
- DC503A 125MHz Counter £475.00
- DC505A 225MHz Counter £800.00
- FG501 Function Generator 0.001Hz-1MHz £375.00
- FG501A Function Generator 0.002Hz-2MHz £425.00
- FG502 Function Generator 0.1Hz-11MHz £425.00
- FG503 Function Generator 1Hz-3MHz £275.00
- PG505 Pulse Generator 1Hz-100KHz £450.00
- SC502 15MHz Dual Trace Scope £1000.00
- SC504 80MHz Dual Trace Scope £1250.00
- SG503 Sinewave Generator 250KHz-250MHz £950.00
- TG501 Timemark Generator £850.00
- TM515 Mainframe (5 wide) £350.00

### Marconi

- TF2162 M.F. Attenuator. 0-111dB £185.00

### Scheffner

- NSG 509 5KV Insulation Tester. £785.00

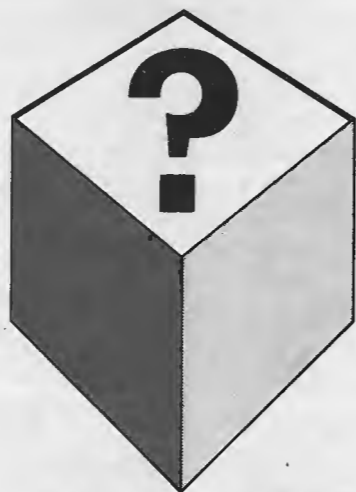
### Tektronix

- 106 Square Wave Generator 1ns risetime 10Hz-1MHz without accessories. £175.00
- 832 Data Comms. Tester. £925.00
- 833 Data Comms. Tester. £1350.00
- 2701 Step Attenuator 50Ω 0.79dB in 1dB steps. DC to 2GHz. £295.00
- 2901 Time-Mark Generator. £185.00

Please note: Prices shown do not include VAT or carriage.



Electronic Brokers Limited  
61/65 Kings Cross Road  
LONDON WC1X 9LN  
Telephone: 01-278 3461  
Telex: 298694 Elebro G



WW — 024 FOR FURTHER DETAILS

### INSTANT PRINTED CIRCUITS!!

Make your own — to professional standards — within minutes using either "Fotolak" Light-sensitive Aerosol Lacquer or Pre-coated board. No Darkroom or Ultra-violet source needed!

- Fotolak aerosol £2.50 (30p) Developer £0.30 (15p)
- Ferric Chloride £0.60 (45p) Acetate Sheet £0.15 (15p)
- Copper-clad Fibre-glass Boards: Single-sided £2 ft. sq. (45p) Double-sided £2.25 ft. sq. (60p)

- Pre-coated Fibre-glass Board: 8"x4 1/2" £1.75 (25p) 16"x9" £7 (60p) 24"x18" £18 (£1.70)
- 8"x9" £3.50 (45p) 24"x12" £13 (£1.20) Eurocard £1.25 (25p)

Double-sided Board (all sizes) add 20%  
Postage individual items in brackets. Maximum charge £2 per order  
**12V FLUORESCENT LIGHTING! FANTASTIC BARGAIN!**  
21" 13-watt Batten Type (complete with tube) £6 (£1.20)  
Kit Form: £5 (£1.20). Inverter Transformers only: £1 (30p)

**WHITE HOUSE ELECTRONICS PRAA SANDS, PENZANCE TR20 OTF**  
Telephone: Germoe (073-876) 2329

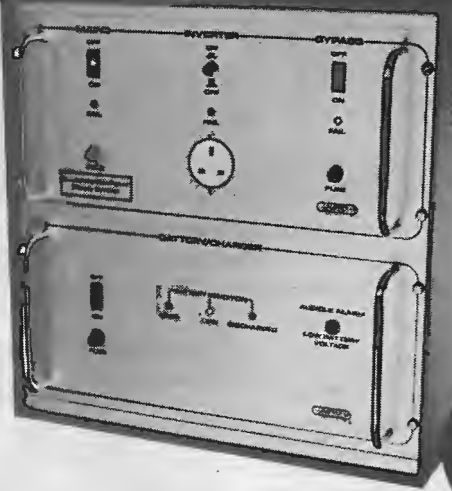
<b>D.I.L. MINIATURE ON-OFF SWITCHES</b> Gold-plated contacts. Sealed base. Ideal for programming. 6-position at less than half manufacturer's price. ONLY 75p Will fit into 14-pin DIL socket. Ten at 55p ea., per 100 55p ea.	<b>HONEYWELL PROXIMITY DETECTOR</b> Integral amplifier, Bv. D.C. £3.50 ea. <b>PHOTO CONDUCTIVE CELL</b> £1.25. High-power cds cell. 600mW, for control circuits. Resistance 800 ohm to 4K. Max. volts 240. Size 1 1/2 x 2/8.	<b>MULLARD MODULES</b> LP1171 AM, FM IF Strip Front end Pair £5.75 Complete with Data LP1176 LP1157 varicap Med. & Long Tuner £2.50	<b>ULTRA SONIC TRANSDUCERS</b> 40KC/S. Complete on 18in. Screened cable. £1.75 each; pairs £2.35. <b>ULTRA SONIC TRANSMITTER</b> . Complete unit (uncased) requires 15V. £3.25. <b>FOSTER DYNAMIC MICROPHONES</b> . 200 ohm impedance. Moving coil. Complete on chassis. £1.75 pair.
<b>U.F.F. MODULATORS</b> Latest type, adjustable, ideal for computers. with data circuit Size 3x2 1/2 x 1 inch Only £3.50 In screened case	<b>LM380 Amplifier</b> £5p LM318N Hi-Slew Op. Amp. £1.50 LM323K, 5v. 3-amp, reg. £2.50 LM310N Volt. Follower. £1.20 LM311H High Perf. Volt. Comparator. £1.00 LM394N 5-watt Amp. £1.20 LM393N Dual Com. £6p 7905 Reg. -5v. £75p	<b>MINIATURE HIGH-QUALITY FANS</b> "Whisper Model" by Roton. Low-power consumption (less than 10 watts). Silent running. 115v. (two in series for 230v.). 50/60Hz. Size 4 1/2 x 4 1/2 x 1 1/2in. ONLY £6.50 EACH incl. V.A.T. <b>BRAND NEW</b> 50% less than manufacturer's price!	<b>STEREO CASSETTE MECHANISMS</b> 6 or 12 volt. Complete with Heads + Erase and Solenoid. Brand new. £3.50 ea.
<b>MINIATURE EDGE INDICATOR METER</b> With illuminated dial scale 0-10. F.S.D. 100 microamp. Size 1 1/2 x 1 1/2 x 1/2 deep. Only £1.65.	<b>STEREO CASSETTE TAPE HEADS</b> . Quality replacement for most recorders with mounting plate Record/Replay £2.00 <b>MARRIOTT TAPE HEADS</b> Quarter track. Type XRF518 Record/Replay (each) £2.00 XRF536 Record/Replay (each) £3.00 XES11 Erase (each) £1.00	<b>HEWLETT-PACKARD DISPLAYS</b> 5082-7650 HIGH EFFICIENCY AND VERY BRIGHT. Only £1.00 each Set of 6 for £3 Half-inch red common anode will replace DL70/14-pin DIL.	<b>EX-MOTOROLA 5 + 5-WATT CAR STEREO AMPLIFIERS</b> Complete and tested units. Medium and Long Wave. Supplied as two built units (5 x 2 x 2in.) with circuit and data. Only £5 pair. Includes pre-amp.
<b>MONSANTO</b> Half-inch + 1 Display High Intensity £1 each set of 4 £3.50 Common anode 14 Pin DIL Package	<b>RECHARGEABLE BATTERIES</b> VARTA 3.6 volts DEAC. 2/8Ah 225 £1.50 XTAL FILTER 10.7 mc/s. 12 SDB separation. 1 1/2 x 1 1/4 x 1 inch £7.00 100KC/S + 1 meg. 3-pin 40p each. £2.00	<b>"CHERRY" ADD-ON KEYPAD</b> A compact 12-button keypad suitable for use with keyboard extend its functions plus four extra keys. Supplied brand new A 3 x 4 non-encoded single mode keyboard LIST PRICE £22.00 OUR PRICE ONLY £5.95 incl. V.A.T.	<b>BRIDGE RECTIFIER</b> 800-PIV 35 amps 1 1/2 x 1 1/2 x 1/2in. £3.50
<b>NATIONAL P-990A Chips</b> £2.95 8216 £1.75 M4148 DIODES Full spec. but no polarity band. Per 1,000 £10 <b>MINIATURE M.P.C. POTENTIOMETERS</b> . Model M2. High-quality. 5% tolerance. 2-watt. with lin. spindles. All values. 47 ohms-47k. Only 60p each per 10. 50p each per 100. 40p each.	<b>QUANTITY DISCOUNTS ON ALL items</b> (unless stated), 15% per 10, 20% per 50, 25% per 100. All items BRAND NEW (unless otherwise stated). <b>DELIVERY</b> from stock — Add post 35p per order.	<b>TELEX 262284</b> Transonics Mono 1400 EXPORT enquiries invited 101-723 1008/9	<b>BRIDGE RECTIFIER</b> 800-PIV 35 amps 1 1/2 x 1 1/2 x 1/2in. £3.50

Callers to: 404 EDGWARE ROAD, LONDON W2 1ED  
ALL MAIL ORDERS/EXPORT ENQUIRIES 11/12 PADDINGTON GREEN, LONDON, W2

WW — 200 FOR FURTHER DETAILS



# When the power fails or falters Galatrek lets you carry on.



Prices From £380

**Uninterruptible Power Supplies - UPS CVT Reliability 125va to 50kva, 50 or 60hz.**

- **STANDBY POWER.** Invaluable for winding down a computer programme on mains failure and wherever continuous power is essential.
- **STABILISATION.** ±3% Vital to combat mains voltage fluctuations and ensure the operation of equipment at peak efficiency. Frequency stabilised ±0.1% 47 to 65Hz.
- **TRANSIENT ATTENUATION.** Provides suppression of mains born interference (spikes). Model above £795

See our designers at the Computer Trade Show, Stand 254 Wembley Conference Centre, April 26 -28.

**Line Conditioners from £160 and Voltfilt from £114**

For more information, cut the coupon.  
Galatrek International, FREEPOST, Scotland Street, Llanrwst, nr. Llandudno, Gwynedd LL26 0AL, BRITAIN, Tel No: 0492-640311/641298, Telex: 617114 A/B Galahu.  
Made and Designed in Britain by Galatrek.



Please send me full details of your range of voltage stabilisers, filters, cut outs, generators and CVT's

Please send me full details of UPS

Please send me a requirement check sheet

Consultation with Galatrek Engineer

Name \_\_\_\_\_

Position \_\_\_\_\_

Company \_\_\_\_\_

Address \_\_\_\_\_

Tel No \_\_\_\_\_ Telex \_\_\_\_\_

Trade  OEM  (please tick where appropriate) WW583

WW - 006 FOR FURTHER DETAILS

**HEMMINGS ELECTRONICS AND MICROCOMPUTERS**  
16 BRAND ST HITCHIN HERTS SG5 1JE  
Tel: (0462) 33031  
Shop open Mon.-Sat. 9 a.m.-5.30 p.m.  
Closed all day Wednesday

Professional quality electronic components, brand new and fully guaranteed. Mail order by return of post. Cash/Cheque/POs or Banker's Draft with order, payable to Hemmings Electronics Ltd. Official orders from schools, colleges and universities welcome. Trade and export enquiry welcome. P.&P. add 45p to all orders under £10. Telephone your Access orders, using our 24-hr. Ansaphone service. Please send SAE for full price list.  
VAT - All prices exclusive of VAT - Please add 15% to total cost including P.&P. No VAT on export orders or books.

COMPUTER ICs	MEMORIES	CRYSTALS	PCB TRANSFERS	FLUPTI DISC CONTROLLERS	CRT CONTROLLER	ZENER DIODES	BRIDGE RECTIFIERS	TRIAES	DIACS	OPTO ELECTRONICS	LIQUID CRYSTAL DISPLAY MODULES	TEMPERATURE METER	TRANSFORMERS	
6502 350p 6522 340p 6800 290p 6880 450p 6802 340p 6809 845p 6809 1350p 6810 120p 6821 180p 6822 215p 6840 390p 6840 580p 6844 125p 6845 75p 6850 140p 6852 250p 6854 680p 6875 490p 8126A 120p 8128 120p 8195 90p 8196 90p 8197 90p 8198 90p 8035L 340p 8039L 290p 8080A 360p 8085A 450p 8155 450p 8212 155p 8216 100p 8224 160p 8226 195p 8228 250p 8251 300p 8253 450p 8255 250p 8257 450p 8259 450p 8279 450p 75107 90p 75108 80p 75110 88p 75112 160p 75182 95p 75450 75p 75451 50p 75452 50p 75453 72p 75461 40p 75491 70p 75492 70p AY-3-1015D 300p AY-5-1013A 300p MC1408 295p MC1488 55p MC1489 55p MC3459 265p UPD7002 450p Z80ACPU 350p Z80APIO 300p Z80AOTC 300p Z80ADART 750p	2114L-200nS 90p 6116P3-150nS 300p 6116LP3-150nS 450p Dynamic RAM 4116-200nS 75p 4164-200nS 450p Eprom 2708-450nS 220p 2716-450nS 210p 2532-450nS 210p 2732-450nS 380p 2764-450nS 380p 495p FD1731 1950p UPD765A 1850p SFF96364 800p	32.768KHz 100p 1.000MHz 320p 1.8432MHz 240p 2.000MHz 225p 2.4576MHz 225p 3.000MHz 240p 3.5795MHz 120p 3.6864MHz 240p 4.000MHz 150p 4.1943MHz 170p 5.0688MHz 240p	2 x 15V at 100mA 155p 2 x 20V at 67mA 6VA 2 x 6V at 500mA 2 x 12V at 250mA 2 x 15V at 200mA 2 x 20V at 150mA 275p CHASSIS MOUNTING 6-0-6V at 100mA 120p 9-0-9V at 100mA 125p 12-0-12V at 100mA 145p 15-0-15V at 0.5A 350p 9-0-9V at 1A 270p 12-0-12V at 1A 320p 15-0-15V at 1A 350p 30-0-30V at 0.5A 395p	EC900/1 0.1" Edge Connector 195p EC922/1 0.156" Edge Connector 195p EC908 0.063" Pads 195p EC910 0.094" Pads 195p EC911 0.189" Pads 195p EC940 0.016" Lines 195p EC941 0.031" Lines 195p EC942 0.039" Lines 195p EC943 0.049" Lines 195p EC944 0.061" Lines 195p EC945 0.079" Lines 195p EC946 0.100" Lines 195p EC947 0.124" Lines 195p EC950/1 0.031" 90° Bends 195p EC950/2 0.061" 90° Bends 195p EC951/1 0.031" 30°, 45°, 60° Bends 195p EC952/2 0.061" 30°, 45°, 60° Bends 195p EC956/1 TO-5 Transistor Pads 195p EC953/1 IC Pads 195p EC957/1 IC Pads with tracks between pads 195p 5 identical sheets in sealed pack 45p Individual sheets 45p Spatula AR4 for burnishing 45p Alfac Chemical Eraser 40p Alfac Precision Grids: Polyester film, matt finish, 0.14mm thickness, 20 lines/in A4 100p; A3 195p 1/16" thickness, 1oz Copper 50p 5" x 4" 35p; 5" x 8" 60p Delo Etch Resist Pen 80p Ferric Chloride Crystals Dissolve in 1/2 Litre Water 85p	EC997/1 IC Pads with tracks between pads 195p EC993/1 IC Pads 195p EC997/1 IC Pads with tracks between pads 195p	BZV88 Series 500mW E24 2V7 to 39V 8p 43V to 110V 12p BZX61 Series 1.3W E24 2V7 to 39V 15p 43V to 82V 20p	1A/100V 25p 1A/400V 30p 2A/100V 40p 2A/400V 50p 2A/800V 70p Alfac Precision Grids: Polyester film, matt finish, 0.14mm thickness, 20 lines/in A4 100p; A3 195p Double Sided Fibreglass Board 1/16" thickness, 1oz Copper 50p 5" x 4" 35p; 5" x 8" 60p Delo Etch Resist Pen 80p Ferric Chloride Crystals Dissolve in 1/2 Litre Water 85p	1A/100V 25p 1A/400V 30p 2A/100V 40p 2A/400V 50p 2A/800V 70p Alfac Precision Grids: Polyester film, matt finish, 0.14mm thickness, 20 lines/in A4 100p; A3 195p Double Sided Fibreglass Board 1/16" thickness, 1oz Copper 50p 5" x 4" 35p; 5" x 8" 60p Delo Etch Resist Pen 80p Ferric Chloride Crystals Dissolve in 1/2 Litre Water 85p	TIC206D 55p TIC229E 95p T2800D 95p	28-37V 25p	3mm Red 10p 3mm Green 15p 3mm Yellow 15p 5mm Red 10p 5mm Green 15p 5mm Yellow 15p Panel Clip 3mm or 5mm 4p Chrome Bezel 3mm 35p Chrome Bezel 5mm 42p Square LED 5mm x 5mm Red 25p Green or Yellow 30p Tri-colour LED 30p A Red and a Green LED which produces Yellow when both are on 70p Red Flashing Led 3Hz at 5V 45p	PCIM177 Frequency Counter 5 Digits, 0.35" FM, SW, MW, MHz, KHz Annunciators, Sample and Hold Capability, Reset Capability, 25 Selectable F Offsets, Prescaler Available, Incandescent Backlighting, Supply Voltage 5v, Operating Current 4mA 1715p PCIM 176 Digital Voltmeter, 3 1/2 digits, 0.5", +, - and Decimal Point, 200mV Full Scale Input, True Differential Input, Guaranteed 0° Reading, Single 5v Operation, Power Consumption 20mW, Accuracy 0.15%, +/- 1 Count, Temperature drift 0.05ppm/C, Low Battery Indicator 1950p Both Modules are supplied with a data sheet.	A fully self-contained digital temperature meter, battery operated with an LCD display *Temperature range 0-99.9°C *Accuracy 0-40°C +/- 0.2°C * 40-70°C +/- 0.4°C * 70-99.9°C +/- 1.0°C * Battery 9v alkaline. Lifetime approx. 1 year * External temperature probe £16.95	All types have dual primaries of 0-120, 0-120 for inputs of 120V or 240V - Primary and Secondary wound on a Split Bobbin providing superior isolation 3VA x 6V at 250mA 2 x 12V at 125mA

WW - 035 FOR FURTHER DETAILS

# DEC SALE

a selection from our huge stocks. All items reconditioned unless otherwise stated.

**DEC PDP11/70 EQUIPMENT**  
SPECIAL BULK PURCHASE OF 11/70 PROCESSORS, PERIPHERALS AND OPTIONS EX DEC-MAINTAINED SITE enabling us to offer a wide variety of configurations and add-ons. Please let us know your requirements

**DEC UNIBUS SYSTEMS**  
**PDP11/24 SYSTEM**  
11/24 CPU, 256KB MOS, Dual RLO2 & Control, Cabinet, VT100 Console. NEW £15,750

**PDP11/34A SYSTEM**  
11/34A CPU, 256KB MOS, Dual RK07 & Control, Cabinet, LA36 Console £13,725

**PDP11/34 SYSTEMS**  
11/34 CPU, 128KB MOS, Dual RK05 and Control, Cabinet, LA36 Console £6320

**DEC WS78 WORD PROCESSORS**  
WT78 Word Terminal and Processor RXD1 Dual Floppy Disk Drive Diablo Letter Quality Printer. Complete with cabinets & full documentation £2950

**DEC LSI PROCESSORS**  
11/03LX KD11HA CPU, KEV11 EIS/FIS, BDV11AA Terminator/Bootstrap, BA11N 5 1/4" Chassis with Backplane and Power Supply. No memory included. NEW £1200  
11/03N KD11G CPU, KEV11 EIS/FIS, BDV11AA Terminator/Bootstrap, BA11R 5 1/4" Chassis with Backplane and Power Supply, MSV11DD 32KW MOS. NEW £1495

**VT100-PLUS**  
SPECIAL PURCHASE BRAND NEW SURPLUS SECURICOR £8

**DEC PDT11/130 PROGRAMMABLE DATA TERMINAL COMPRISING:**

- \* VT100 with Advanced Video Option & Printer Port
- \* Integral LSI Processor with 32K RAM
- \* Integral dual TU58 mini cartridge

Fantastic value whether for use as VT100 only or as full PDU £995 including comprehensive manual



**DEC MULTIPLEXORS**  
DH11AC £2,500  
DH11AD £2,750  
DZ11B £995  
DZ11D £995

**DEC OPTIONS**  
AR11 A/D Conv. £750  
BA11LF Expander Box £825  
DB11 A Bus Repeater £525  
DD11CK Backplane £275  
DR11C I/O £295  
DU11DA Synchron I/O £525  
FP11 A F/Point £1,500  
KE118 EAE £595  
KJ11A Stack Limit £125  
KK11A Cache £1,500  
KMC11A Aux. Proc. £875  
KT11D Mem. Mgt. £750  
KW11L RTC £75

**DEC PDP8A SERIES**  
8A205BR Processor £1,750  
8A625BN Processor £2,250  
MM8AB 16KW Core £995  
MS8CB 32KW MOS £750  
DK8EA RTC £150  
KCBAA Prog. Panel £275  
KK8FCPU Module Set £575  
KLBJA Asynch. I/O £275  
KT8A Mem. Mgt. £495

**DEC PRINTERS AND TERMINALS**  
LA34 DECwriter IV EIA 300 baud £425  
LA36 DECwriter II 20mA £295  
LA36 DECwriter II RS232 £325  
LA180-PD DECprinter I (NEW) £495  
LS120 DECwriter III EIA 1200 baud £199  
VT50 DECscope 20mA £225  
VT105 Graphics Terminal £950

**HAZELTINE VDUS**  
Hazeltime 1500 (recon) £325  
Hazeltime ESPRIT (recon) £395  
Hazeltime 1510 (NEW) £550  
Hazeltime 1520 (NEW) £625  
Executive 80 (recon) From £675

**ANDERSON JACOBSON**  
AJB32 Daisy Wheel Printer 300 baud with Keyboard and Integral Stand, EIA/RS232 Interface £750  
AJB60 Matrix Printer 1200 baud with Keyboard and Tractor Feed. Good quality print-out with true descenders. Desktop model. EIA/RS232 Interface £595  
AJ212 Acoustic Couplers 300 baud, original only £125

## SCOOP PURCHASE OF TEKTRONIX GRAPHICS EQUIPMENT

HUGE SAVINGS FROM NEW PRICES ONLY SLIGHTLY USED-COVERED BY FULL WARRANTY

**GRAPHICS TERMINALS COLOUR GRAPHICS DESKTOP COMPUTERS PLOTTERS MONITORS**

**4006-1 HIGH RESOLUTION GRAPHICS DISPLAY TERMINAL**  
Alphanumeric Mode: 35 x 74 characters (63 ASCII character set)  
Graphics Matrix: 1024x 1024  
Baud Rate: 75 thru 4800 Interface: Standard RS232 £1525

**4010-1 HIGH RESOLUTION GRAPHICS DISPLAY TERMINAL**  
Alphanumeric Mode: 35 x 74 characters (63 ASCII character set)  
Graphics Matrix: 1024x 1024  
Baud Rate: 110 thru 9600 Interface: Standard RS232  
Thumbwheel crosshair cursor Integral Stand £2750

**4014-1 and 4015-1 HIGH RESOLUTION BIG (19") SCREEN GRAPHICS DISPLAY TERMINALS**  
Alphanumeric Mode: up to 133 x 64 characters (94 ASCII character set or 188 ASCII + APL on model 4015)  
Graphics Mode: 4096X x 4096Y  
Includes enhanced graphics option  
Interface Standard RS232  
Thumbwheel crosshair cursor Integral Stand  
4014-1 £6950 4015-1 £7250 4016-1 25" Screen model £8950

**4027 COLOUR GRAPHICS TERMINAL**  
Providing 8 displayable colours from a palette of 64 colours, and 120 user defined patterns  
Interface: Standard RS232 Baud rates: up to 9600 £5250

**4051 DESKTOP COMPUTER PROVIDING**  
High resolution Graphics and Alphanumerics, 32KB Memory, Integral Cartridge Tape Drive £2250

**4952 OPT. 2 JOYSTICK**  
(for 4050 series) sensitive cursor-control with .1% accuracy and XY zero feature £275

**4662 INTELLIGENT DIGITAL PLOTTER**  
Microprocessor Controlled high speed plotting up to 10" x 15" with built-in joystick control. IEEE general purpose interface £1800

**4663 INTELLIGENT DIGITAL PLOTTER**  
Microprocessor Controlled high speed plotting up to 17" x 22" with built-in joystick control. Standard RS232 Interface. Baud rates 110-9600 £4000

**HIGH RESOLUTION DISPLAY MONITORS**

**606 DISPLAY MONITOR**  
5" CRT, 5ml Spot size, XY amplifier DC to 3MHz, 2-axis amplifier DC to 10MHz £650

**606A DISPLAY MONITOR**  
as above £875

**606B DISPLAY MONITOR**  
5" CRT, 3ml Spot size, XY amplifier DC to 3MHz, 2-axis amplifier DC to 5MHz £950

**611 STORAGE DISPLAY MONITOR**  
11" CRT, Storage view time 15 mins plus, XY amplifier. Programmable Erase, write-thru, non-store and view functions £1450

Range of options available on most models  
'82/83 Catalogue now out. Send for your FREE copy now.  
ADD 15% VAT TO ALL PRICES Carriage and Packing extra.

**Electronic Brokers Ltd., 61/65 Kings Cross Road London WC1X 9LN. Tel: 01-278 3461. Telex 298694**

Electronic Brokers

WW - 203 FOR FURTHER DETAILS



# Accurate Digital Multimeters at Exceptional Prices

28 RANGES, EACH WITH FULL OVERLOAD PROTECTION

## SPECIFICATION MODELS 6010 & 7030

- 10 amp AC/DC
- Battery: Single 9V drycell. Life: 200 hrs
- Dimensions: 170 x 89 x 38mm.
- Weight: 400g inc. battery.
- Mode Select: Push Button.
- AC DC Current: 200µA to 10A
- AC Voltage: 200mV to 750V
- DC Voltage: 200mV to 1000V
- Resistance: 200Ω to 2MΩ
- Input Impedance: 10MΩ
- Display: 3 1/2 Digit 13mm LCD
- O/load Protection: All ranges

**OTHER FEATURES:** Auto polarity, auto zero, battery low indicator, ABS plastic case with tilt stand, battery and test leads included, optional carrying case.

Quantity discount for trade on application.



## NEW ANALOGUE METER WITH CONTINUITY BUZZER AND BATTERY SCALE

NEW HM102 BZ £13.00

### NEW HM 102 BZ SPECIFICATION

- DC Voltage: 0-25, 1, 2.5, 10, 25; 100, 250, 1000 volts 20,000 ohms/volt.
- AC Voltage: 0-10, 25, 100, 250, 1000 volts 10,000 ohms/volt.
- Decibels: -20 to +22dB
- DC Current: 0-50, 500µA, 0-5, 50, 500mA
- Ohmmeter: 0-6 Megohms in 4 ranges. 30 ohms Centre Scale
- Power Supply: One 1.5V size 'A' battery (incl)
- Size & Weight: 135 x 91 x 39mm, 280gr.

### HM 101 POCKET SIZE MULTIMETER SPECIFICATION

- DC & AC Voltage: 0-10, 50, 250, 1000 volts, 2000 ohms/volts
- Decibels: -10 to +22dB
- DC Current: 0-100mA
- Ohmmeter: 0-1 Megohm in 2 ranges, 60 ohms Centre Scale
- Power Supply: One 1.5V size 'A' battery (incl)
- Size & Weight: 90 x 60 x 29mm, 92gr. incl. battery
- Price: £5.50

Add 15% to your order for VAT. P&P is free of charge.



**ARMON ELECTRONICS LTD.**

Cottrell House, 53-63 Wembley Hill Road, Wembley, Middlesex HA9 8BH, England

Telephone: 01-8024321 (3 lines)

Payment by cheque with order

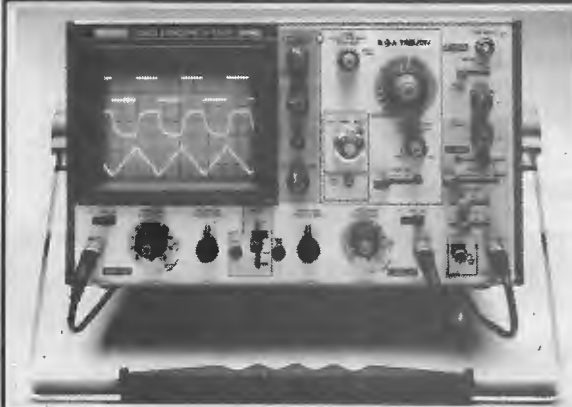


accepted

TELEX No. 923985

WW - 042 FOR FURTHER DETAILS

## Hitachi Oscilloscopes performance, reliability, exceptional value and immediate delivery!



Hitachi Oscilloscopes provide the quality and performance that you'd expect from such a famous name, in a newly-extended range that represents the best value for money available anywhere.

- |                          |  |
|--------------------------|--|
| V-152F 15MHz Dual Trace  | V-134 10MHz Tube Storage Oscilloscope                  |
| V-202F 20MHz Dual Trace  | V-650F 60MHz Dual Timebase, Trigger View (illustrated) |
| V-203F 20MHz Sweep Delay | V-1050F 100MHz Quad Trace, Dual Timebase               |
| V-302F 30MHz Dual Trace  | V-209 20MHz Dual Trace, Mini-Portable                  |
| V-352F 35MHz Dual Trace  | V-509 50MHz Dual Timebase, Mini-Portable               |
| V-353F 35MHz Sweep Delay |  |

Prices start from around £250 (ex. V.A.T.) including 2 high-quality probes and a 2-year warranty. We hold the range in stock for immediate delivery.

For colour brochure giving detailed specifications and prices ring (0480) 63570. Reltech Instruments, 46 High Street, Solihull, W. Midlands, B91 3TB

WW - 052 FOR FURTHER DETAILS

## EASIBINDERS Quick, neat and easy!

It's so easy and tidy with the Easibind binder to file your copies away. Each binder is designed to hold six issues and is attractively bound and blocked with the WIRELESS WORLD logo. Price U.K. £4.30 including postage, packing and V.A.T. Overseas orders add 35p per binder. Nat. Giro No. 6167552.

Please allow 3/4 weeks for fulfilment of order. Payment by ACCESS/BARCLAYCARD/VISA. Send coupon below detailing credit card no. and signature. Why not place your order now? Send the completed coupon below with remittance payable to: Easibind, 42 Hoxton Square, London N1 6NS

### Order Form WIRELESS WORLD

I enclose P.O./cheque value ..... for ..... binders

Years required ..... BLOCK LETTERS PLEASE

Name ..... Address .....

Date ..... Registration No. 735718

IN VIEW OF THE EXTREMELY RAPID CHANGE TAKING PLACE IN THE ELECTRONICS INDUSTRY, LARGE QUANTITIES OF COMPONENTS BECOME REDUNDANT. WE ARE CASH PURCHASERS OF SUCH MATERIALS AND WOULD APPRECIATE A TELEPHONE CALL OR A LIST IF AVAILABLE. WE PAY TOP PRICES AND COLLECT.

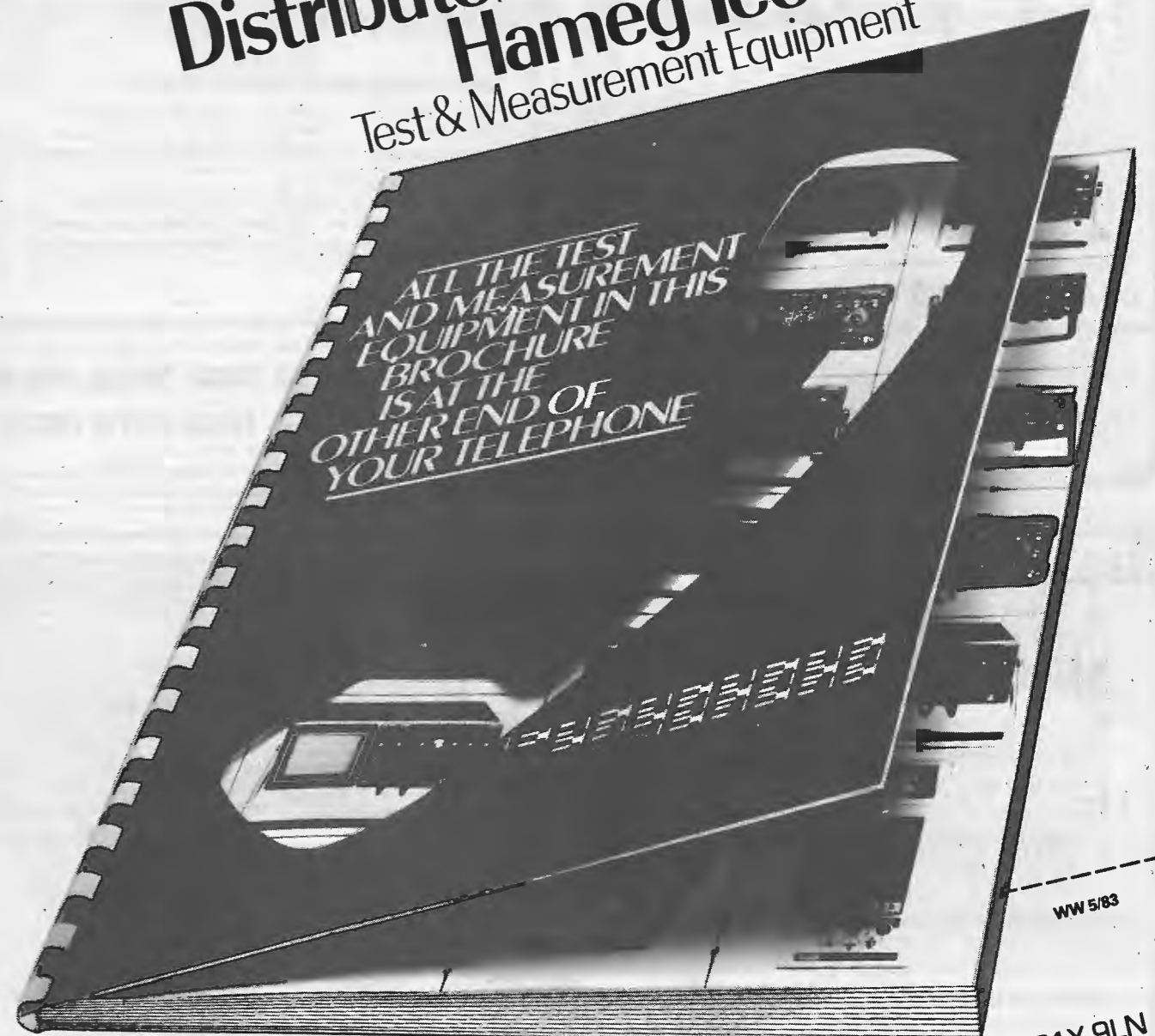
### BROADFIELDS & MAYCO DISPOSALS

21 Lodge Lane, N. Finchley, London, N.12. 5 mins. from Tally Ho corner

Telephone 445 2713/0749

(9461)

# Announcing a MAJOR CATALOGUE from Electronic Brokers - Distributors of Philips Fluke Hameg Ice Test & Measurement Equipment



WW 5/83

Electronic Brokers Ltd, main distributors of Philips, Fluke, Hameg and ICE have just published a full colour catalogue containing illustrations, full technical specifications and prices on a wide range of electronic test and measurement equipment - all of which is ex-stock and available for immediate delivery! Electronic Brokers new catalogue is an absolute must for all engineers, designers and buyers. Send off the coupon for your FREE copy now.

To: Electronic Brokers Ltd  
61/65 Kings Cross Rd London WC1X 9LN  
Tel: 01-833 1166 Telex: 298684 Elebro G

Please send me the new Test & Measurement Equipment catalogue

Name \_\_\_\_\_  
Company \_\_\_\_\_  
Position \_\_\_\_\_  
Address \_\_\_\_\_  
Tel \_\_\_\_\_





## HF COMMUNICATIONS RECEIVERS FOR POINT TO POINT/TRANSPORTABLE AND MARINE SYSTEMS

**DESIGNED AND MANUFACTURED TO HIGHEST INTERNATIONAL SPECS**

Fully Synthesised

10Hz or 100Hz steps

Continuously Tuned 50KHz to 30MHz

Modes LSB/USB/CW/AM/FSK

Stability  $\pm 1$  part in  $10^{7/0}C$

Tuning Keypad/Spin/Decade

Power Supplies 110V/240V AC and 24V DC

### WE ANNOUNCE NEW MODELS

- (a) SR 520 To meet new C.E.P.T. Spec for Ships Main Receiver.
  - (b) SR 522 with Preselector for Point to Point/Transportable.
  - (c) SR 530 As (a) above but MICROPROCESSOR/KEYPAD controlled, 200 channel memory, Scanning.
  - (d) SR 532 As (c) above but for Point to Point/Transportable.
- OPTIONS. Full Remote Control by VHF Radio or Telephone Line, Dual Diversity, FSK Demodulator and 600 ohm Line Amplifiers.

SEND FOR TECHNICAL BROCHURES TO:

**VIGILANT COMMUNICATIONS LTD, UNIT 5, PONTIAC WORKS, FERNBANK ROAD, ASCOT, BERKS, ENGLAND**

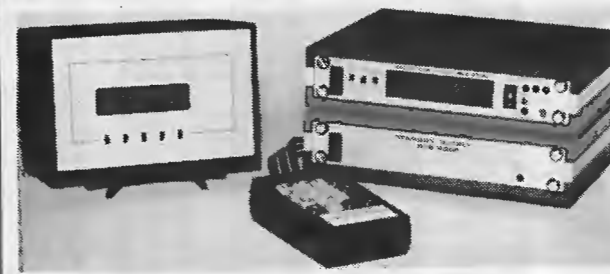
**TELEPHONE: (0344) 885656**

**TELEX: 849769 VIGCOM G**

WW - 028 FOR FURTHER DETAILS

## RADIOCODE CLOCKS

are powerful and comprehensive instruments which receive, decode and analyse time-coded standard frequency transmissions to provide accurate, secure and completely automatic time/calendar or synchronisation systems.



### Applications

- Automatic master clock and slave controller.
- Synchronisation of separate equipment and events.
- Programmable energy management system.
- Computer clock/calendar with battery backup.
- Data logging and time recording.
- Process and equipment control.
- Broadcasting, Astronomy, Navigation.
- Satellite tracking.

**If you have a time or synchronisation problem, write or phone for further details of our portable and new microcomputer-controlled Radiocode Clocks.**

Circuit Services, 6 Elmbridge Drive  
Ruislip, Middlesex. Ruislip 76962

WW - 015 FOR FURTHER DETAILS

## CX80 COLOUR MATRIX PRINTER

New low price  
**£795 + V.A.T.**

At last a low-cost Colour Matrix Printer for Text, Graphics, Histograms, Colour VDU Dumps, etc.

**Colour printout is quickly assimilated, makes graphics more understandable and is an ideal medium for the presentation of complex data or concepts.**



Compatible with most microprocessors, prints in 7 colours – sophisticated internal programme makes the CX80 easy to use.

Dot Addressable + 15 user programmable characters, 96 ASCII and 64 graphics characters in rom. Centronics interface with RS232 and IEEE488 options. Apple II interface gives dot for dot colour dump. New viewdata interface prints out two pages side by side in full colour. See Prestel 200650.

The CX80 is a product of our own design and development laboratories. It represents a British breakthrough in colour printer technology. Colour brochure on request. OEM pricing available.

**INTEGREX LIMITED**

Portwood Industrial Estate, Church Gresley  
Burton-on-Trent, Staffs DE11 9PT  
Burton-on-Trent (0283) 215432. Telex: 377106

WIRELESS WORLD MAY 1983

## Quartz Crystals



Stocks of standard items exceed a quarter of a million. Individual units to the tightest specification made to order.

This technology is available now from

**IQD**

29 Market Street  
Crewkerne  
Somerset TA18 7JU

Crewkerne (0450) 74433  
Telex 46283 infacg

Interface  
Quartz  
Devices  
Limited

WW - 034 FOR FURTHER DETAILS

The Keithley 179A



## A MEASURE OF ACHIEVEMENT.

Specification . . . Versatility . . . Accuracy . . . Price. In almost every major area the new 179A – a 4½ digit bench/portable DMM – from Keithley Instruments sets some pretty impressive standards:

- 20 amp capability ● Full function: 27 ranges including true RMS AC Measurement
- Year's guarantee on spec ● 0.04% DC accuracy ● IEEE option ● Large display and 10µV dc resolution.

For those requiring 10 times more sensitivity and an analogue output there's the 177, a unit with similar specification to the 179A. Both models are part of a vast range of test equipment from one of the world's leading manufacturers.

For more information fill in the coupon at the bottom of the page.

Alternatively, phone our Instant Information

Service on 0734 864784 now.



**KEITHLEY**

Keithley Instruments Ltd  
1 Boulton Road Reading Berkshire RG2 0NL  
Telephone (0734) 861287  
Telex 847047

I'd like to know more . . .

Name \_\_\_\_\_

Position \_\_\_\_\_

Company \_\_\_\_\_

Address \_\_\_\_\_

Telephone \_\_\_\_\_

WW/5

WW - 025 FOR FURTHER DETAILS

WIRELESS WORLD MAY 1983

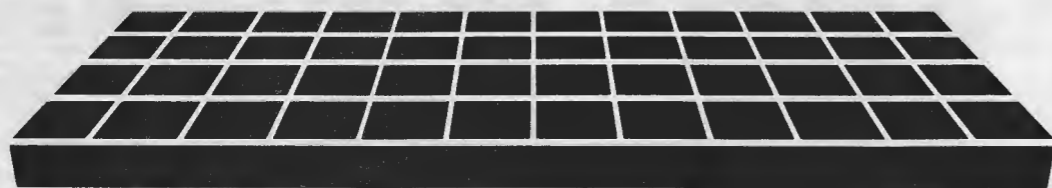






Start here for bigger profits in '83

# The Computer Trade Show '83



## Wembley Conference Centre April 26-28 1983...

The Computer Trade Show '83 is the most important annual event of its kind and there could be no better starting point on the route to achieving bigger profits from this expanding and lucrative market.

Held at one of the most accessible and popular exhibition centres in the United Kingdom and set in the heart of the biggest and most influential market region for computer systems, The Computer Trade Show '83 will provide you with the perfect opportunity to select equipment to meet your individual requirements from a wide selection of products to be shown by the major manufacturers and suppliers of computers and peripherals. First hand knowledge of new product lines will keep you ahead of market trends, and face to face contact with suppliers through a series of daily seminars will greatly assist your current purchasing power and ensure even bigger profits in the future.

Everything for every kind of retail, dealer or distribution outlet will be available at The Computer Trade Show '83 - minicomputers, microcomputers, small business systems, word processors and peripherals. Make a date now and complete the coupon below for your free tickets.

Organised by the organisers of COMPEC and sponsored by Computer Weekly, Practical Computing, Systems International, Software, and Micro Business.



The Computer Trade Show '83  
Reed Exhibitions  
Surrey House, 1 Throwley Way  
Sutton, Surrey SM1 4QQ.

Please send \_\_\_\_\_ ticket(s) for The Computer Trade Show '83.

Name \_\_\_\_\_

Position in Company \_\_\_\_\_

Company \_\_\_\_\_

Address \_\_\_\_\_

THIS IS A TRADE ONLY SHOW, NOT FOR END-USERS

Please send me further details about the seminars



## Industrial/Commercial Power Amplifiers



### Specifications (Direct Output): BGW Model 620B

**OUTPUT POWER:**  
200 watts minimum sine wave continuous power output per channel with both channels driving 8-ohm loads over a power band from 20Hz to 20kHz. The maximum Total Harmonic Distortion at any power level from 250 milliwatts to 200 watts shall be no more than 0.25%.  
1kHz Power: 240 watts into 8 ohms per channel, both channels operating, 0.25% Total Harmonic Distortion.

Intermodulation Distortion	Less than 0.06% from 250 milliwatts to rated power.
Small Signal	+0, -3dB, 1Hz to 70kHz.
Frequency Response	+0, -0.25dB, 20Hz to 20kHz.
Hum and Noise Level	Better than 100dB below 200 watts (unweighted, 20Hz to 20kHz).
Damping Factor	Greater than 120 to 1 at 8 ohms and 1kHz.
D.C. Offset Voltage	Less than 10 millivolts (at output terminals).
Load Impedance	Designed for any load impedance equal to or greater than 4 ohms.



### Specifications (Direct Output): BGW Model 320B

**OUTPUT POWER:**  
100 watts minimum sine wave continuous average power output per channel with both channels driving 8-ohm loads over a power band from 20Hz to 20kHz. The maximum Total Harmonic Distortion at any power level from 250 milliwatts to 100 watts shall be no more than 0.2%.  
1kHz Power: 105 watts into 8 ohms per channel, both channels operating, 0.2% Total Harmonic Distortion.

Intermodulation Distortion	Less than 0.05% from 250 milliwatts to rated power.
Small Signal	+0, -3dB, 1Hz to 50kHz.
Frequency Response	+0, -0.25dB, 20Hz to 20kHz.
Hum and Noise Level	Better than 100dB below 100 watts (unweighted 20Hz to 20kHz).
Damping Factor	Greater than 150 to 1 at 8 ohms and 1kHz.
D.C. Offset Voltage	Less than 10 millivolts (at output terminals).
Load Impedance	Designed for any load impedance equal to or greater than 4 ohms.



For further information on these and other BGW amplifiers, contact Nikki Antoniou, Theatre Projects, 10 Long Acre, London WC2E 9LN, Tel. 240 5411

WW - 027 FOR FURTHER DETAILS

hi! performance hi! competitive hi!

# FULL HOUSE OF MULTIMETERS

## TRIO

Bench Models DL 705, 706, 720 and DF 760

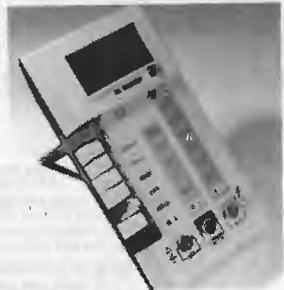
- 3½ and 4½ digit LED
- Rugged and Reliable
- 2 YEAR GUARANTEE
- Simple Operation - Auto Ranging
- Mains or Battery
- 7 Digit Frequency Counter
- Resolutions 1 and 0.1 mV
- DCV, ACV, DCA, ACA and Ohms
- Basic accuracy 0.8, 0.25, 0.1 and 0.05%
- Prices from £92 include FREE batteries, hand book and Test Leads



## HC

Hand Held Models HM101 and 102 Series, HC 601, 703, 6010 and 7030.

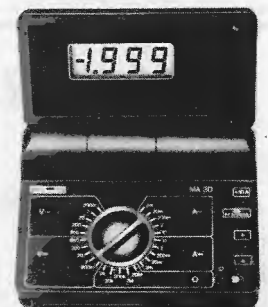
- 3½ digit LCD and Analogue
- Colour coded front panel and edge switches
- High impact ABS with Tilt stand
- Safety features meets UL 1244
- Basic accuracy 0.6 and 0.2%
- Full Range of DCV, ACV, DCmA, ACmA and Ohms
- Audio Continuity Tone Plus 10A capability.
- Switched HI and LO ohms
- FREE Battery, Manual and Test Leads
- Analogue from approx £5 - Digital from approx £34



## BBC GOERZ METRAWATT

MA1H, 2H, 3E and 5D. M2011, 2012, 2030, 2031 and 2032. Unigor 3N.

- Digital and Analog - Hand Held and Bench
- Huge LCDs - Many Safety Features
- Black, Rugged and Reliable
- 1 Year Guarantee
- 3½ and 4½ Digits
- Variable Viewing Angle - Hand free operation
- 20 Amp capability
- DCV, ACV, DCA, ACA, Ohms, Capacitance, Temp and Level in dBs
- Meet DIN 40050, 43780, 57410 or 57411 Requirements
- Prices from approx £26 inc FREE Batteries, Manual and Test Leads



## MIC

Hand Held Models 6000Z and 3300A

- 3½ digit LCD with easy single rotary control.
- 10 Amp., 1000V and 20M ohm capability.
- TRANSISTOR hFE measurement.
- Audible Continuity check and Diode Test.
- Optional accessories incl. Carry Case and Battery Eliminator.
- Fully Guaranteed for 12 months.
- Prices from approx. £39 include Free Battery, Manual and Test Leads.



Prices do not include VAT or P + D.

House of Instruments  
Clifton Chambers, 62 High Street  
Saffron Walden, Essex CB10 1EE  
Tel: (0799) 24922 Telex: 818750



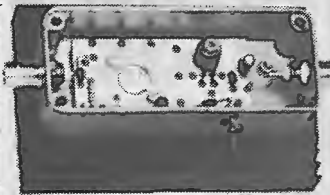
Extended CREDIT available

hi! competitive hi! House of Instruments Ltd.

WW - 033 FOR FURTHER DETAILS

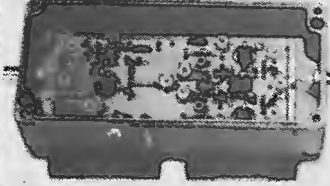


### RF LINEAR POWER AMPLIFIERS



**TYPE 9045**  
**V MOS WIDEBAND LINEAR POWER AMPLIFIERS**  
 4 watts and 20 watts max. RF output. Without tuning. Power gain 10 dB

TYPE 9045 10 KHz.-100 MHz. 4 watts .....£49.50+£2 p&p  
 TYPE 9050 20 MHz.-200 MHz. 4 watts .....£49.50+£2 p&p  
 TYPE 9066 10 KHz.-100 MHz. 20 watts .....£120.00+£4 p&p  
 TYPE 9064 As above with integral mains power supply unit.....£180+£8 p&p  
 TYPE 9067 20 MHz.-200 MHz. 20 watts .....£120+£4 p&p  
 TYPE 9065 As above with integral mains power supply unit.....£180+£8 p&p



**TYPE 9058**  
**TELEVISION LINEAR POWER AMPLIFIERS**  
 Bands IV or V. Channel group 'A' 21-34, 'B' 39-51, or 'CD' 48-68

TYPE 9061 150mV. input, 10 mW. output. Adjustable gain .....£120.00+£4.00 p&p  
 TYPE 9052 10mW. input, 500mW. output. Adjustable gain .....£120.00+£4.00 p&p  
 TYPE 9059 500mW. input, 5 watts output.....£150.00+£4.00 p&p



**TYPE 9054**  
**V MOS LINEAR POWER AMPLIFIERS**  
 Tuned to your specified frequency in the range 1-250 MHz.

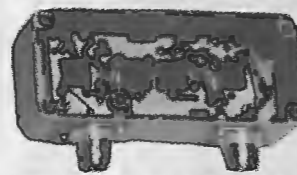
TYPE 9054 200 mW. 2 watts input, 20 watts output. Gain adjustable 10-20 dB .....£120+£4 p&p  
 TYPE 9060 As above with integral mains power supply unit .....£180.00+£8.00 p&p  
 TYPE 9068 1-8 watts input, 80 watts output. Gain adjustable 10-20 dB .....£160.00+£4.00 p&p  
 TYPE 9057 As above with integral mains power supply unit .....£210.00+£8.00 p&p  
 TYPE 9082 FM TRANSMITTER. 88-108 MHz. 50 watts RF output.....£180.00+£4.00 p&p  
 TYPE 9083 As above with integral mains power supply unit.....£230+£8 p&p

### LOW NOISE GASFET PREAMPLIFIERS



**TYPE 9008 in 9010**  
**TWO STAGE GASFET STRIPLINE PREAMPLIFIERS**  
 Television bands IV or V. Channel group 'A' 21-34, 'B' 39-51, or 'CD' 48-68

TYPE 9008 Two stage Gasfet preamplifier. N.F. 0.7 dB. Gain 25 dB .....£65+£1.50 p&p  
 TYPE 9002 Two stage Gasfet preamplifier. N.F. 0.7 dB. Gain 10-35 dB. variable. High Q filter.....£65+£1.50 p&p  
 TYPE 9009 UHF two stage Gasfet preamplifier. N.F. 0.6 dB. Gain 25 dB. Aligned to your specified frequency in the range 250-500 MHz.....£65+£1.50 p&p  
 TYPE 9004 UHF TWO STAGE Gasfet preamplifier. N.F. 0.6 dB. Gain 10-35 dB. variable. Aligned to your specified frequency in the range 250-500 MHz. High Q filter.....£85+£1.50 p&p  
 TYPE 9012 Gasfet preamplifier mains power supply unit.....£24.50+£2.50 p&p  
 TYPE 9010 Masthead weatherproof unit.....£4.50+£1.50 p&p



**TYPE 9026**  
**GASFET/MOSFET RF PREAMPLIFIERS**  
 Aligned to your specified frequency in the range 1-250 MHz. Masthead/local use

TYPE 9026 N.F. 1.0 dB. Gain 10-40 dB. variable.....£39.50+£1.50 p&p  
 TYPE 9026 FM. As above. Band II 88-108 MHz.....£39.50+£1.50 p&p  
 TYPE 9056 1500 MHz PRESCALER. Divides 100-1500 MHz by 10 .....£65.00+£1.50 p&p  
 TYPE 9035 Mains power supply unit for above.....£19.50+£2.50 p&p



**TYPE 9031**  
**WIDEBAND RF PREAMPLIFIER**  
 1 KHz-100 MHz without tuning

TYPE 9031 N.F. 3.0 dB Gain 40 dB .....£39.50+£1.50 p&p  
 TYPE 9056 1500 MHz PRESCALER. Divides 100-1500 MHz by 10 .....£65.00+£1.50 p&p  
 TYPE 8033 PHASE LOCKED SIGNAL SOURCE using low frequency reference crystal. Specify output in the range 1-600 MHz. Output 10 mW. + 10 dBm .....£64.50+£1.50 p&p

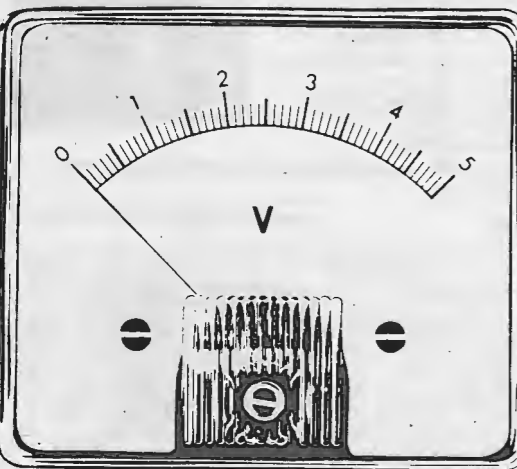
## RESEARCH COMMUNICATIONS LTD.

UNIT 3, DANE JOHN WORKS, GORDON ROAD, CANTERBURY, KENT CT1 3PP  
 TELEPHONE: CANTERBURY (0227) 56489

WW - 043 FOR FURTHER DETAILS

PLEASE ADD 15% V.A.T. ON TOTAL

### METER PROBLEMS?



137 Standard Ranges in a variety of sizes and stylings available for 10-14 days delivery. Other Ranges and special scales can be made to order.

Full information from:  
**HARRIS ELECTRONICS (London)**  
 138 GRAY'S INN ROAD, W.C.1  
 Phone: 01-837/7937  
 Telex: 892301

WW - 019 FOR FURTHER DETAILS

### CLEF ELECTRONIC MUSIC



**PIANOS**  
 SPECIALISTS SINCE 1972 DOMESTIC OR STAGE SIX OR 7 1/2 OCTAVES KITS OR MANUFACTURED

The most advanced form of touch-sensitive action simulating piano key inertia by patented technique.

Four mixable voices for serious tone variation plus electronic chorus and flanger effects.

Component Kits include Keyboard. Full Kits further contain: Cabinets, Harness, Power Amp and Speaker.

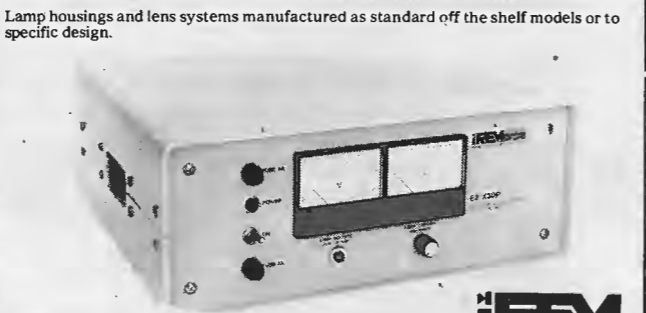
Domestic Prices:  
 £ SIX 7 1/2  
 Comp 234 266  
 Full 398 442  
 MFD 820 695

Write or Phone for full details of our range of high quality Kit and manufactured Electronic Musical Instruments. Prices include V.A.T., Carr., & Ins. and we operate Telephone BARCLAY-CARD/ACCESS. Competitive EXPORT Quotations given.

**CLEF PRODUCTS (ELECTRONICS) LIMITED**  
 Dept. W. 44a Bramhall Lane South  
 Bramhall, Stockport, Cheshire SK7 1AH  
 061-439 3297

WW - 018 FOR FURTHER DETAILS

### ELECTRONIC POWER UNITS FOR XENON ARC AND MERCURY ARC LAMPS



UNITS AVAILABLE FOR LAMPS RANGING FROM 75 TO 6500 WATTS.

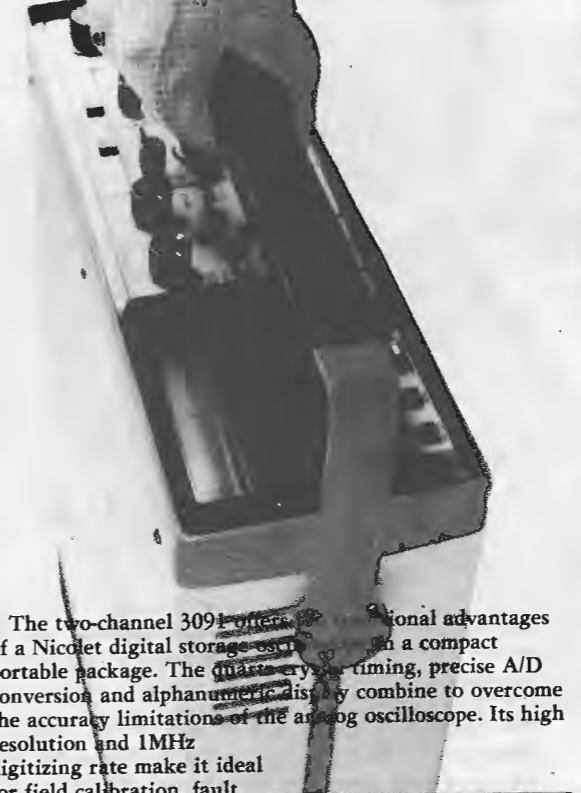
Lamp housings and lens systems manufactured as standard off the shelf models or to specific design.

**K. T. Manners Design Ltd.**  
 P.O. Box 936, London, W4 4NW Telephone: 01-994 7155. Telex: 28604

WW - 049 FOR FURTHER DETAILS

## Bubble Machine.

This Nicolet digital scope can put a waveform in your pocket.

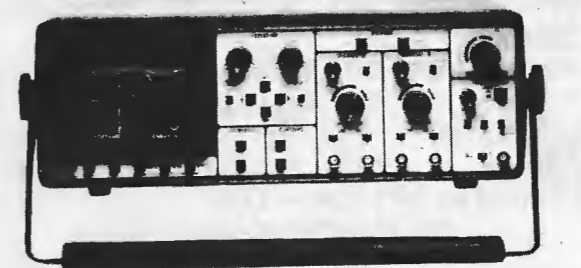


The two-channel 3091 offers the functional advantages of a Nicolet digital storage oscilloscope in a compact portable package. The master-slave timing, precise A/D conversion and alphanumeric display combine to overcome the accuracy limitations of the analog oscilloscope. Its high resolution and 1MHz digitizing rate make it ideal for field calibration, fault diagnosis or transient analysis in mechanical, electrical, acoustical and biological applications.

The 3091 is a digital storage oscilloscope, a transient recorder and a chart recorder all in one, easy-to-use instrument. Important data can be stored on the optional magnetic bubble cassette for instant recall in either your 3091 or someone else's.

£3,360

Bubble cassette optional addition £1,050



### Nicolet Instruments

Nicolet Instruments Limited. (A Nicolet Instrument Subsidiary).  
 Budbrooke Road, Warwick, England. CV34 5XH.  
 Telephone (0926) 494111 Telex 311135

WW - 050 FOR FURTHER DETAILS

# Midwich

COMPUTER COMPANY LIMITED

1st choice for microcomputer components

<b>BBC MICROCOMPUTERS</b>	Model B 346.95 Model B + Disc Int. 441.95	<b>INTERFACE DEVICES</b>	75107 3.80 75110 0.47 75111 0.56 75150 0.64 75154 0.77	<b>TL507</b>	1.33 725 1.60 741 0.14 747 0.48 748 0.27
<b>BBC MICRO DISC DRIVES</b>	BBC31 Single 100K 229.00 BBC32 Dual 100K 340.00 BBC34 Dual 400K 649.00		75172 1.44 75173 1.44 75174 1.95 75175 1.44 75182 0.50 75183 0.50 75188 0.37 75189 0.37 75199 0.37 75451 0.22 75452 0.22 75453 0.22 75454 0.22 75468 0.88 75491 0.31 75492 0.42	<b>REGULATORS</b>	78L05 0.30 78L12 0.30 78L15 0.30 7805 0.40 7812 0.40 7815 0.40 7905 0.45 7912 0.45 7915 0.45 LM309K 2.40 LM307K 2.40 LM323K 4.50 LM338K 6.25
<b>BBC MICRO UPGRADE KITS</b>	BBCA2B Complete A TO B 44.75 BBC1 16K Memory 18.00 BBC2 Printer 7.50 BBC3 Disc 95.00 BBC4 Analogue 6.70 BBC5 Serial & RGB 7.30 BBC6 Bus 6.45		75491 0.31 75492 0.42 AY31015 D2 3.00 AY31270 D2 6.47 AY3381 D6 4.40 AY53800 D6 6.70 DP8304 D1 2.50 MC1488 D1 0.37 MC1489 D1 0.37 MC1489 D1 0.37 NC3242A D1 6.30 MC3446 D1 2.50 MC3448A D1 3.75 MC3480 D5 7.30 MC3487 D1 2.00 MC14411 D1 7.65 MC14412 D1 6.50 RO32513U D1 6.50	<b>DATA CONVERTORS</b>	UPD7002 D1 4.26 ZN425 D1 3.45 ZN426 D1 3.00 ZN427 D1 5.99 ZN428 D1 4.75 ZN429 D1 2.10 ZN432 D1 13.00 ZN449 D1 2.55
<b>BBC MICRO CONNECTORS</b>	BBC21 Printer Cable 13.00 BBC22 User Port Connector & Cable 2.45 BBC23 Cassette Lead 3.50 BBC24 7 Pin Din Plug 0.60 BBC25 6 Pin Din Plug 0.80 BBC26 5 Pin Din Plug 0.80		RO32513U D1 6.50	<b>CRYSTALS</b>	1MHz 2.75 1.8432 MHz 1.92 4MHz 0.64 8MHz 0.86
<b>BBC MICRO ACCESSORIES</b>	BBC45 Joysticks 11.30 BBC67 Eprom Programmer 57.95			<b>DIL SOCKETS</b>	Plns Tin Gold W/W UM1111 6MHz D1 2.60 8 7 16 25 UM1233 8MHz D1 3.90 14 10 28 35 14 10 28 40 16 10 29 40 18 13 33 50 20 15 37 60 22 17 38 65 24 21 46 70 28 34 55 80 40 30 76 99
<b>BBC MICRO SOFTWARE</b>	View Wordprocessor 52.00 1.0 M.O.S. 36.00			<b>ZIF SOCKETS</b>	24 Pin 5.75 28 Pin 8.20 40 Pin 9.75
<b>ACORN SOFTWARE</b>	Full range available. Please telephone for stock position.			<b>LINEARS</b>	TL001 0.65 TL002 0.75 LF398N 4.75 LM301AN 0.24 LM308N 0.48 LM311P 0.50 LM319N 1.99 LM324N 0.30 LM348N 0.50 NE555P 0.16 NE556CP 0.45 TL010 0.39 TL061 0.29 TL062 0.49 TL064 0.98 TL066 0.29 TL071 0.25 TL072 0.47 TL074 1.00 TL081 0.26 TL082 0.46 TL084 1.58 TL091 0.40 TL092 0.58 TL094 1.34 TL487 0.62 TL489 0.62 TL494 1.63 TL496 0.60
<b>MEMORIES</b>	2114L-200NS D1 0.80 2708 450NS D1 0.80 2716 450NS D1 2.45 2716 350NS D1 4.95 2716 3 Rail D1 7.25 2532 450NS D2 3.45 2732 450NS D1 3.45 2732 350NS D1 5.45 2764 300NS D1 7.95 4116 200NS D1 0.85 4116 150NS D2 0.80 4118 150NS D1 3.25 5516 200NS D2 9.45 6116 150NS D1 3.30 6116 Low Power 150NS D2 4.95 4164 200NS TI D3 3.95 4164 200NS NEC D3 3.95 4516 4816 100NS D2 2.25 4532 200NS D2 2.95			<b>6800 FAMILY</b>	D7 2.25 D5 2.50 D6 6.30 D1 1.15 D3 1.00 D4 3.75 D5 6.50 D2 1.10 D2 7.30 D7 6.25 D6 12.00 D1 2.26 D3 2.26 D4 6.00 D2 2.20
<b>BUFFERS</b>	81LS95 0.80 81LS96 0.80 81AS57 0.80 81LS98 0.80 8726A 0.90 8728A 0.90 87195 0.90 87197 0.90 8798 0.90			<b>7800 FAMILY</b>	D2 2.99 D2 9.00 D1 2.50 D1 9.00 D1 5.50 D2 6.95 D1 2.75 D1 9.00 D4 9.00
<b>UMF MODULATORS</b>	UM1111 6MHz D1 2.60 UM1233 8MHz D1 3.90			<b>8080 FAMILY</b>	D4 3.50 8085A 1.10 8216 1.00 8224 2.10 8228 3.27 8251A D5 2.50 8253 4.00 8255A D5 2.25
<b>CRYSALS</b>	1MHz 2.75 1.8432 MHz 1.92 4MHz 0.64 8MHz 0.86			<b>5000 FAMILY</b>	D3 3.25 D3 5.00 D1 2.50 D1 3.16 D5 3.00 D5 5.50 D2 5.50
<b>DATA CONVERTORS</b>	UPD7002 D1 4.26 ZN425 D1 3.45 ZN426 D1 3.00 ZN427 D1 5.99 ZN428 D1 4.75 ZN429 D1 2.10 ZN432 D1 13.00 ZN449 D1 2.55			<b>FLOPPY DISC CONTROLLERS</b>	8271 36.00 FD1771 D5 15.00 FD1791 D6 22.00 FD1793 D6 23.00 FD1795 D6 28.00 FD1797 D6 28.00 D2 12.00 WD1891 D2 6.99 WD2143-D1
<b>DIL SOCKETS</b>	Plns Tin Gold W/W UM1111 6MHz D1 2.60 8 7 16 25 UM1233 8MHz D1 3.90 14 10 28 35 14 10 28 40 16 10 29 40 18 13 33 50 20 15 37 60 22 17 38 65 24 21 46 70 28 34 55 80 40 30 76 99				
<b>ZIF SOCKETS</b>	24 Pin 5.75 28 Pin 8.20 40 Pin 9.75				

Data sheets are available on items marked D. Prices are as follows:  
 D1 0.75 D5 2.00  
 D2 1.00 D6 3.00  
 D3 1.25 D7 4.00  
 D4 2.00 D8 5.00

A full range of the following products is carried in stock and is listed in our FREE catalogue.  
 • 74LS Series TTC  
 • 4000 Series CMOS  
 • T.I. Bipolar Memories  
 • 9900 Series Micros  
 • Crystals  
 • IDC, Card Edge & D-Type Connectors  
 • Dip Jumpers  
 • Monochrome & Colour Monitors (NEC & KAGA)  
 • Eprom Programmers & Erasers  
 • Custom Cable Assemblies

SPECIAL OFFER! SPECTRUM 32K UPGRADE KIT £24.95

Carriage Orders up to £199 are sent by 1st class post, and £200+ by Securicor.  
 0-£100 0.50 £100-£199 1.25 £200+ 5.00 by Securicor.  
 Prices quoted (+ carriage charges) are exclusive of VAT and are subject to change without notice.  
 Quantity Discounts are available on many products, please ring for details.  
 Official Orders are welcome from Education Establishments, Government Bodies and Public Companies.  
 Credit Accounts are available to others subject to status. Payment is due strictly net by the 15th of the month.  
 Credit Cards are accepted (Access and Visa) for telephone and postal order and NO SURCHARGE is made.  
 Out of stock items will follow automatically, at our discretion, or a refund will be given if requested.

THE ABOVE LIST SHOWS JUST A FEW OF THE ITEMS IN STOCK. PLEASE TELEPHONE YOUR REQUIREMENTS - OR BETTER STILL SEND FOR OUR FREE CATALOGUE

Please complete this coupon for a copy of our FREE catalogue.

NAME \_\_\_\_\_  
 ADDRESS \_\_\_\_\_  
 TEL. NO. \_\_\_\_\_

MIDWICH COMPUTER COMPANY LIMITED  
 RICKINGHALL HOUSE, RICKINGHALL, SUFFOLK IP22 1 HH  
 TELEPHONE (0379) DISS 898751

WW - 046 FOR FURTHER DETAILS



## EP4000 EPROM EMULATOR PROGRAMMER



The microprocessor controlled EP4000 will emulate and program all the popular EPROMs including the 2704, 2708, 2716(3), 2508, 2758, 2516, 2716, 2532 and 2732 devices. Personality cards and hardware changes are not required as the machine configures itself for the different devices. Other devices such as bipolar PROMs and 2764 and 2564 EPROMs are programmed with external modules.

The editing and emulation facilities, video output and serial/parallel input/output provided as standard make the EP4000 very flexible to allow its use in three main modes:

- As a stand alone unit for editing and duplicating EPROMs.

Items pictured are: ● EP4000 Emulator Programmer - £545 + £12 delivery; ● BSC buffered simulator cable - £39; ● MESA 4 multi EPROM simulator cable - £98; ● 2732A Programming adaptor - £39; ● 2764 Programming adaptor - £64; ● 2564 Programming adaptor - £64; ●

- As a slave programmer used in conjunction with a software development system or microcomputer.
- As a real time EPROM emulator for program debugging and development (standard access time of the emulator is 300ns).

Data can be loaded into the 4k x 8 static RAM from a pre-programmed EPROM, the keypad, the serial or parallel ports and an audio cassette. Keypad editing allows for data entry, shift, move, delete, store, match and scroll, and a 1k x 8 RAM allows temporary block storage. A video output for memory map display, as well as the built-in 8 digit hex display allows full use of the editing facilities to be made.

BP4 (TEXAS) Bipolar PROM Programming module - £190

Also available (not shown): ● VM10 Video monitor - £99; ● UV141 EPROM Eraser with timer - £78; ● GP100A 80 column Printer - £225; ● PI100 interface for EP4000 to GP100A - £65.

*VAT should be added to all prices*

**DISTRIBUTORS REQUIRED**

**EXPORT ENQUIRIES WELCOME**

**GP Industrial Electronics Ltd.**

Tel: Plymouth (0752) 332961  
Telex: 42513

Unit E, Huxley Close, Newnham Industrial Estate, Plymouth PL7 4JN

WW - 039 FOR FURTHER DETAILS

## P8000 - THE PRODUCTION PROGRAMMER THAT HANDLES ALL NMOS EPROMS



**NEW PRODUCT**

- Checks, Programs, Compares up to 8 devices simultaneously
- Handles all NMOS EPROMS up to projected 128K designs with no personality modules or characterisers - See list
- Easy to use, menu driven operation for blankcheck, program, verify, illegal bit check, checksum, self-test
- Constant display of device type, mode and fault codings
- Individual socket LED indicators for EPROM status
- Comprehensive EPROM integrity checks - Illegal bit check, data and address shorts, constant power line monitoring
- Full safeguard protection on all sockets
- Automatic machine self-test routine
- Powered down sockets
- Cost effective price - £695 + VAT
- Available from stock

Write or phone for more details

**DISTRIBUTORS REQUIRED**

**EXPORT ENQUIRIES WELCOME**

**GP Industrial Electronics Ltd.**

Tel: Plymouth (0752) 332961  
Telex: 42513

Unit E, Huxley Close, Newnham Industrial Estate, Plymouth PL7 4JN

WW - 040 FOR FURTHER DETAILS

2704  
2708  
2716(3)  
2508  
2758A  
2758B  
2516  
2716  
48016  
2532  
2732  
2732A  
68732-0  
68732-1  
68766  
68764  
2764  
2564  
MK2764



Advanced fault finding and diagnosis is just one of the many projects undertaken with the ELE microelectronic and microprocessor teaching system.

A complete range of projects can be taught, from building simple electronic circuits to advanced engineering applications such as intelligent robotics.

### Features

- **Expandable** - buy what you want when you want
- **Modular** - interchangeable components throughout
- **Structured** - provides a complete educational programme
- **Ready to use** - no extras to buy
- **Comprehensive** - 46 items of equipment in the system

## How to find faults with our system



For further information and a free brochure, contact ELE at the address below:

**ELE**  
International  
Limited

ELE International  
Eastman Way  
Hemel Hempstead  
Hertfordshire  
HP2 7HB  
England

Tel: (0442) 50221  
Telex: 825239

WW - 044 FOR FURTHER DETAILS

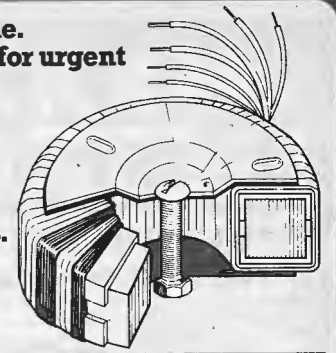
# TOROIDALS

The toroidal transformer is now accepted as the standard in industry, overtaking the obsolete laminated type. Industry has been quick to recognise the advantages toroidals offer in size, weight, lower radiated field and, thanks to I.L.P., PRICE. Our large standard range is complemented by our SPECIAL DESIGN section which can offer a prototype service within 7 DAYS together with a short lead time on quantity orders which can be programmed to your requirements with no price penalty.

\*Gold service available.  
21 days manufacture for urgent deliveries.

\*Orders despatched within 7 days of receipt for single or small quantity orders.

\*5 year no quibble guarantee.



TYPE	SERIES No	SECONDARY Volts	RMS Current	PRICE	TYPE	SERIES No	SECONDARY Volts	RMS Current	PRICE	TYPE	SERIES No	SECONDARY Volts	RMS Current	PRICE
<b>NEW!</b>	<b>NEW!</b>	<b>NEW!</b>												
15 VA 62 x 34mm 0.35Kg Regulation 19%	0x010 0x011 0x012 0x013 0x014 0x015 0x016 0x017	6+6 9+9 12+12 15+15 18+18 22+22 25+25 30+30	1.25 0.83 0.63 0.50 0.42 0.34 0.30 0.25	<b>£5.12</b> + p & p £0.78 + VAT £0.89 TOTAL £6.79	120 VA 90 x 40mm 1.2Kg Regulation 11%	4x010 4x011 4x012 4x013 4x014 4x015 4x016 4x017 4x018 4x028 4x029 4x030	6+6 9+9 12+12 15+15 18+18 22+22 25+25 30+30 35+35 110 220 240	10.00 6.66 5.00 4.00 3.33 2.72 2.40 2.00 1.71 1.09 0.54 0.50	<b>£7.42</b> + p & p £1.72 + VAT £1.37 TOTAL £10.51	300 VA 110 x 50mm 2.6Kg Regulation 6%	7x013 7x014 7x015 7x016 7x017 7x018 7x025 7x028 7x033 7x029 7x030	15+15 18+18 22+22 25+25 30+30 35+35 40+40 45+45 50+50 110 220 240	10.00 8.33 6.82 6.00 5.00 4.28 3.75 3.33 3.00 2.72 1.36 1.25	<b>£10.88</b> + p & p £2.05 + VAT £1.94 TOTAL £14.87
30 VA 70 x 30mm 0.45Kg Regulation 18%	1x010 1x011 1x012 1x013 1x014 1x015 1x016 1x017	6+6 9+9 12+12 15+15 18+18 22+22 25+25 30+30	2.50 1.66 1.25 1.00 0.83 0.68 0.60 0.50	<b>£5.49</b> + p & p £1.10 + VAT £0.99 TOTAL £7.58	160 VA 110 x 40mm 1.8Kg Regulation 8%	5x011 5x012 5x013 5x014 5x015 5x016 5x017 5x018 5x026 5x028 5x029 5x030	9+9 12+12 15+15 18+18 22+22 25+25 30+30 35+35 40+40 110 220 240	8.89 6.66 5.33 4.44 3.63 3.20 2.66 2.28 2.00 1.45 0.72 0.66	<b>£8.43</b> + p & p £1.72 + VAT £1.52 TOTAL £11.67	500 VA 140 x 60mm 4Kg Regulation 4%	8x016 8x017 8x018 8x026 8x025 8x033 8x042 8x028 8x029 8x030	25+25 30+30 35+35 40+40 45+45 50+50 55+55 110 220 240	10.00 8.33 7.14 6.25 5.55 5.00 4.54 4.54 2.27 2.08	<b>£14.38</b> + p & p £2.40 + VAT £2.52 TOTAL £19.30
50 VA 80 x 35mm 0.9Kg Regulation 13%	2x010 2x011 2x012 2x013 2x014 2x015 2x016 2x017 2x028 2x029 2x030	6+6 9+9 12+12 15+15 18+18 22+22 25+25 30+30 110 220 240	4.16 2.77 2.08 1.66 1.38 1.13 1.00 0.83 0.45 0.22 0.20	<b>£6.13</b> + p & p £1.35 + VAT £1.12 TOTAL £8.60	225 VA 110 x 45mm 2.2Kg Regulation 7%	6x012 6x013 6x014 6x015 6x016 6x017 6x018 6x026 6x025 6x033 6x028 6x029 6x030	12+12 15+15 18+18 22+22 25+25 30+30 35+35 40+40 45+45 50+50 110 220 240	9.38 7.50 6.25 5.11 4.50 3.75 3.21 2.81 2.50 2.25 2.04 1.02 0.93	<b>£9.81</b> + p & p £2.05 + VAT £1.78 TOTAL £13.64	625 VA 140 x 75mm 5Kg Regulation 4%	9x017 9x018 9x026 9x025 9x033 9x042 9x028 9x029 9x030	30+30 35+35 40+40 45+45 50+50 55+55 110 220 240	10.41 8.92 7.81 6.94 6.25 5.68 5.68 2.84 2.60	<b>£17.12</b> + p & p £2.55 + VAT £2.95 TOTAL £22.62
80 VA 90 x 30mm 1Kg Regulation 12%	3x010 3x011 3x012 3x013 3x014 3x015 3x016 3x017 3x028 3x029 3x030	6+6 9+9 12+12 15+15 18+18 22+22 25+25 30+30 110 220 240	6.64 4.44 3.33 2.66 2.22 1.81 1.60 1.33 0.72 0.36 0.33	<b>£6.66</b> + p & p £1.72 + VAT £1.26 TOTAL £9.64										

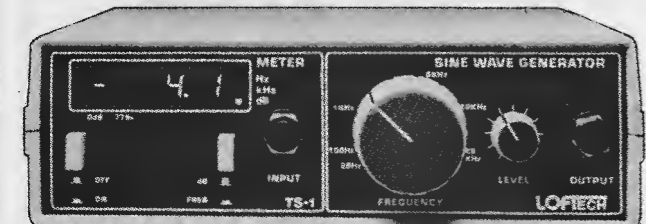
The benefits of ILP toroidal transformers  
ILP toroidal transformers are only half the weight and height of their laminated equivalents, and are available with 110V, 220V or 240V primaries coded as follows:  
IMPORTANT: Regulation — All voltages quoted are FULL LOAD. Please add regulation figure to secondary voltage to obtain off load voltage.  
For 110V primary insert "0" in place of "X" in type number.  
For 220V primary (Europe) insert "1" in place of "X" in type number.  
For 240V primary (UK) insert "2" in place of "X" in type number.  
Also available at Electrovalue, Maplin, Technomatic and Barrie Electronics.

For mail order please make your crossed cheques or postal orders payable to ILP Electronics Ltd. Barclaycard/Access welcome. Trade orders standard terms.

Post to: ILP Electronics Ltd, Graham Bell House, Roper Close, Canterbury CT2 7EP, Kent, England.  
Telephone (0227) 54778. Telex 965780.

(a division of ILP Electronics Ltd)

WW - 009 FOR FURTHER DETAILS



## Digital Audio Test Set

Imagine the ideal hand held test set. A minimum of controls. An oscillator that covers the audio spectrum in a single sweep. A level meter that measures directly in dBs over 74dBs. And a frequency counter that reads the oscillator or meter input.

Small enough to operate anywhere, and precise enough for any professional application. The Loft TS1 is manufactured by the Phoenix Audio Laboratory Inc., and distributed exclusively by Turnkey.  
It's price £249.00.  
Call us now for more information.

**turnkey**

Brent View Road LONDON NW9 7EL  
01-202 4366

WW - 016 FOR FURTHER DETAILS

## PRODUCTION TESTING DEVELOPMENT SERVICING POWER UNITS



Now available with 3 OUTPUTS  
Type 250VRU/30/25

- OUTPUT 1: 0-30v, 25A DC
- OUTPUT 2: 0-70v, 10A AC
- OUTPUT 3: 0-250v, 4A AC

ALL Continuously Variable

**Valradio**

VALRADIO LIMITED, BROWELLS LANE, FELTHAM MIDDLESEX TW13 7EN  
Telephone: 01-890 4242/4837

WW - 045 FOR FURTHER DETAILS

## LOW COST PROFESSIONAL TEST INSTRUMENTS

**sabtronics**  
FREQUENCY METERS  
100MHz, 600MHz, and 1GHz Models  
from £67

**Belemic**  
Hand Held Analogue and Digital Multimeters  
16 Models from £18.75

**electro** RST  
LOGIC PROBE

- ★ FREQUENCY METERS
- ★ ANALOGUE MULTIMETERS
- ★ DIGITAL MULTIMETERS
- ★ FUNCTION GENERATOR
- ★ OSCILLOSCOPES
- ★ POWER SUPPLIES
- ★ LOGIC PROBE
- ★ SCOPE PROBES

Write or phone for illustrated test instrument catalogue and price list  
Black Star Ltd.  
9A, Crown Street  
St. Ives, Huntingdon  
Cams. PE17 4EB  
Tel: (0480) 62440 Telex 32339

WW - 010 FOR FURTHER DETAILS



# CALL IN AND SEE FOR YOURSELF AUDIO ELECTRONICS

ALL PRICES INCLUDE VAT

TEST EQUIPMENT CENTRES ALL MODELS ON DISPLAY OPEN SIX DAYS A WEEK

RETAIL • MAIL ORDER • EXPORT • INDUSTRIAL • EDUCATIONAL

## DIGITAL MULTIMETERS (UK C/P Free)



**HAND HELD** (With free carry case)  
 KD25C=13 range 0.2A DC 2 meg ohm £24.95  
 KD30C=16 range 10A DC 2 meg ohm £29.95  
 KD30C=26 range 1A AC/DC 20 meg ohm £34.95  
 KD35C=26 range 10A AC/DC 20 meg ohm £39.95  
 6010A=22 range 10A AC/DC 20 meg ohm £34.40  
 7050A=As 6010 but 0.1% basic £41.50  
 KD615=16 range 10A DC 2 meg plus Hfe tester £39.95  
 1800A=30 range 10A AC/DC 20 meg plus Hfe tester £89.95  
**HAND HELD AUTO RANGE**  
 DM2350=21 range 10A AC/DC 20 meg ohm £49.95  
 (Miniature) £41.95  
 HD30=16 range 0.2A AC/DC 2 meg ohm £44.50  
 HD30=16 As above plus cont. buzzer £44.50  
 HD31=22 range 10A AC/DC 2 meg ohms plus cont. buzzer £58.95  
 +Optional carry case £2.95

ALWAYS BARGAINS IN EQUIPMENT FOR CALLERS

## FREQUENCY COUNTERS

PFM200A 200 MHz hand held pocket 8 digit LED £87.50  
 8110A 8 digit LED bench 2 ranges 100 MHz £77.00  
 8610B 9 digit LED bench 2 ranges 800 MHz £113.85  
 8000B 9 digit LED 3 ranges 1 GHz £178.00  
 TF90=8 digit LCD 40 MHz £128.50  
 TF200=8 digit LCD 200 MHz £188.75  
 +Optional carry case £8.84  
**Prescalers - Extended range of most counters**  
 TP800 800 MHz £43.00  
 TP1000 1 GHz £74.00

## SIGNAL GENERATORS (220/240V AC)

**FUNCTION:** All sine/square/triangle/TTL etc  
 TB100 1 Hz - 100 KHz £80.00  
 TB102 0.2 Hz - 2 MHz £186.75  
**PULSE**  
 TB105 Various facilities 5 Hz - 5 MHz £97.75  
**AUDIO:** Multiband Sine/Square  
 LAB27 10 Hz to 1 MHz £90.85  
 AG202A 20 Hz to 200 KHz (List £94.50) £83.50  
**RF**  
 SB402 100 KHz to 30 MHz (Last low) £58.95  
 LB817 100 KHz to 150 MHz £78.35

## ELECTRONIC INSULATION TESTER

YF 501 500 V/0-100m with carry case £83.00

## MULTIMETERS (UK C/P 65p)

C70B1 50K/V 21 ranges. Range doubler 10A DC. SPECIAL PRICE £15.95  
 ETC5000/5001 21 ranges. 50K/V. Range doubler. 10A DC. £18.50  
 TMK500 23 ranges 30K/V. 12A DC plus cont. buzzer. £23.95  
 NH56R 20K/V. 22 range pocket £10.95  
 EU102 14 range 2K/V pocket £5.95  
 830A 26 range 30K/V. 10A AC/DC overload protection, etc. £23.95  
 360TR 23 range 100K/V. Large scale 10A AC/DC plus Hfe £36.95  
 AT1020 16 range 20K/V. Deluxe plus Hfe tester £17.50  
 ST303TR 21 range 20K/V plus Hfe tester £18.95  
 YN 360TR 19 range 20K/V plus Hfe tester £13.95

## VARIABLE POWER SUPPLIES (UK C/P £1.00)

PP241 0/12/24V. 0/1A. £35.00  
 PP243 3 amp verlon £59.95  
 P8 1307S 8/15V 7 amp twin meter £24.95

## DIGITAL THERMOMETER

TH301 LCD -50°C to +750°C with thermocouple £88.43

## AC CLAMP METER

ST300 0/300A-0/600 VAC. 0/1 Kohn 9 ranges With carry case (UK C/P 65p) £28.50

## LOGIC PROBES

LP10 10 MHz £28.50  
 LDP07S 50 MHz with carry case and accessories £71.50

## OSCILLOSCOPES

Full specification any model on request. SAE by post.  
**'HM' Series HAMEG: 'SC' THANDAR: 'CS' Series TRIO: '3' Series CROTECH**  
**SINGLE TRACE**  
 3030 15 MHz 5mV. 95mm tube plus component tester C/P £3.00 £177.10  
 SC110A= Miniature 10 MHz battery portable. Post free £171.00  
 HM103 15 MHz 2mV. 8 x 7 display plus component tester C/P £3.00 £181.70  
 +Optional carry case £8.84 AC adaptor £6.99  
 Nicolas £12.50  
**DUAL TRACE (UK C/P £4.00)**  
 HM203/4 Dual 20 MHz plus component tester £303.60  
 CS1562A Dual 10 MHz (List £321.00) £289.50  
 3131 Dual 15 MHz + component tester £276.00  
 CS1568A Dual 20 MHz All facilities (List £401.35) £349.50  
 HM204 Dual 20 MHz plus component tester sweep delay £419.75  
 CS1620 Dual 20 MHz with extra facilities (List £508.30) £485.00  
**OPTIONAL PROBE KITS (List £508.30)**  
 X1 £7.95 X10 £8.45  
 X1-X10 £10.50 X100 £16.95

## HIGH VOLTAGE METER

Direct reading 0/40 KV. 20K/Volt (UK C/P 65p) £23.00

## DIGITAL CAPACITANCE METER

0.1 pf to 2000 mfd LCD 8 ranges DM6013 £52.75 (Carry case £2.95)

## TRANSISTOR TESTER

Direct reading PNP: NPN, etc. TC1 (UK C/P 65p) £21.95

FREE CATALOGUES SEND LARGE SAE (UK 20p)

**AUDIO ELECTRONICS** Cubegate Limited  
 301 EDGWARE ROAD, LONDON W2 1BN. TEL: 01-724 3564  
 ALSO AT HENRY'S RADIO, 404/406 EDGWARE ROAD, LONDON W2. TEL: 01-723 1008

WW - 026 FOR FURTHER DETAILS

# Keep those Contacts CLEAN BY USING A DIACROM SPATULA



Manufactured in France British Patents applied for

No other cleaner has all these advantages:-

1. Only 100% pure, natural diamond grains are utilised.
  2. Blades are treated with hard chrome to reinforce the setting of the diamond grains, to obviate loosening or breakaway during use. This process also prevents clogging of the diamonded surface by residues resulting from use.
  3. All diamonded blades are rectified to ensure an absolutely smooth surface by eliminating diamond grains which may rise above the surface. This eliminates all excessive scratching during use.
  4. All diamond grains are rigidly calibrated to ensure a perfectly uniform grain size of either 200, 300 or 400.
  5. The chrome gives a very weak co-efficient of friction and the rigidity of the nylon handle is calculated to permit proper utilisation and yet pliant enough to avoid undue pressures on highly delicate relays.
- Grain size 200, thickness 55/100 mm., both faces diamonded. For quick cleaning of industrial relays and switching equipment, etc.
  - Grain size 300, thickness 55/100mm., both faces diamonded. For smaller equipments, like telephone relays, computer relays, etc.
  - Grain size 400, thickness 25/100 mm., one face diamonded. For sensitive relays and tiny contacts. Two close contacts facing each other can be individually cleaned, because only one face of the spatula is abrasive.

Sole Distributors for the United Kingdom  
**SPECIAL PRODUCTS (DISTRIBUTORS) LTD**  
 81 Piccadilly, London W1V 0HL. Phone: 01-629 9556  
 As supplied to the M.O.D., U.K.A.E.A., C.E.G.B. British Rail and other Public Authorities; also major industrial and electronic users throughout the United Kingdom.  
 WW - 029 FOR FURTHER DETAILS

# TIME WRONG?

**MSF CLOCK** is ALWAYS CORRECT - never gains or loses, SELF SETTING at switch-on, 8 digits show Date, Hours, Minutes and Seconds, 24-hour format, larger digit Hours and Minutes for easy QUICK-GLANCE time, auto GMT/BST and leap year, can expand to Years, Months and Milliseconds and work as STOPCLOCK, parallel BCD (including Weekday) output for alarm, etc. and audio to record and show time on playback, receives Rugby 60KHz atomic time signals, built-in antenna, 1000Km range, GET THE TIME RIGHT, £69.60.  
**60KHz RUGBY RECEIVER**, as in MSF Clock, serial data output for computer, decoding details and Basic listings, £22.20.  
 Each fun-to-build kit (ready made to order) includes all parts, printed circuit, case, instructions, by-return postage, etc, money back assurance so GET yours NOW.

**CAMBRIDGE KITS**  
 45 (WS) Old School Lane, Milton, Cambridge  
 Telephone: 860150

# RADIATION DETECTORS

**BE PREPARED** VIEW THRU LENS  
 Ideal for the experimenter  
 ■ THIS DOSIMETER WILL AUTOMATICALLY DETECT GAMMA AND X-RAYS  
 ■ UNIT IS SIZE OF FOUNTAIN PEN & CLIPS ONTO TOP POCKET  
 ■ PRECISION INSTRUMENT  
 ■ MANUFACTURERS CURRENT PRICE OF A SIMILAR MODEL OVER £25 EACH  
 ■ 0-5 R British design & manufacture.  
 Tested and fully guaranteed. Ex-stock delivery. As supplied to Fire Services/Civil Defence

**HENRY'S** Official Orders welcome  
 01-723 1008/9  
 CALLERS: 404 EDGWARE ROAD, LONDON W2 1ED  
 Mail Orders/Export Enquiries to: 11-12 Paddington Green, London W2

## VERTICAL

### WHEN IT COMES TO POWER FOR RACKS IT MUST BE OLSON

## HORIZONTAL OR VERTICAL

VERTICAL RANGE FROM 3-10 SOCKETS  
 ALL EX-STOCK!  
 SPECIALS TO ORDER

# OLSON ELECTRONICS LIMITED

5-7 LONG STREET LONDON E2 8HJ  
 TEL: 01-739 2343 TELEX 296797

WW - 047 FOR FURTHER DETAILS

# Now, really reason with IC's

With the new LM2A logic monitor from GSC, you can see just what's going on in an integrated circuit for only £87.\*  
 The LM2A's sixteen LED indicators show the static and dynamic logic states of all the pins on 14 or 16-pin IC packages, and GSC's unique Proto-Clip provides rapid, reliable contact with the circuit.  
 You can use the LM2A with different logic families, too. A front-panel switch lets you select TTL or C-MOS, and a variable threshold control covers any voltage from +1V to +9V for other logic levels. It's small and light enough to hold in the hand, and operation is simplicity itself.  
 Take the logical course of action - fill in the coupon now.

GLOBAL SPECIALTIES CORPORATION

G.S.C. (UK) Limited, Dept. 7L, Unit 1, Shire Hill Industrial Estate, Saffron Walden, Essex CB11 3AQ.  
 Telephone: Saffron Walden (0799) 21682. Telex: 817477.

\* Price excluding P&P and 15% VAT.

Model LM2A	LOGIC MONITOR	Unit price inc. P & P 15% VAT £102.35	Qty. Reqd.
------------	---------------	---------------------------------------	------------

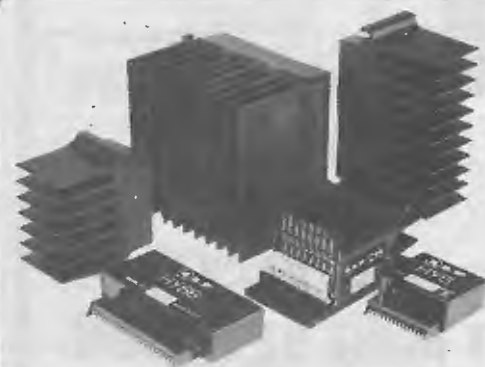
Name \_\_\_\_\_  
 Address \_\_\_\_\_

I enclose cheque/P.O. for £ \_\_\_\_\_ or debit by Barclaycard/Access/American Express card no. \_\_\_\_\_ exp. date \_\_\_\_\_  
**FOR IMMEDIATE ACTION** - The G.S.C. 24 hour, 5 day a week service.  
 Telephone (0799) 21682 and give us your Barclaycard, Access, American Express number and your order will be in the post immediately. For FREE catalogue tick box

WW - 007 FOR FURTHER DETAILS

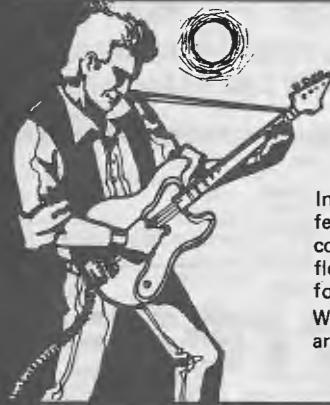


# GET BIG POWER



## ILP Modular Amplifiers the third generation

Due to continuous improvements in components and design ILP now launch the largest and most advanced generation of modules ever.



## WE'RE INSTRUMENTAL IN MAKING A LOT OF POWER

In keeping with ILP's tradition of entirely self-contained modules featuring, integral heatsinks, no external components and only 5 connections required, the range has been optimized for efficiency, flexibility, reliability, easy usage, outstanding performance, value for money.

With over 10 years experience in audio amplifier technology ILP are recognised as world leaders.



### BIPOLAR MODULES

Module Number	Output Power Watts rms	Load Impedance $\Omega$	T.H.D. Typ at 1KHz	I.M.D. 60Hz/7KHz 4:1	Supply Voltage Typ	Size mm	WT gms	Price inc. VAT
HY30	15	4-8	0.015%	<0.006%	$\pm 18$	76 x 68 x 40	240	£8.40
HY61	30	4-8	0.015%	<0.006%	$\pm 25$	76 x 68 x 40	240	£9.55
HY6060	30 + 30	4-8	0.015%	<0.006%	$\pm 25$	120 x 78 x 40	420	£18.69
HY124	60	4	0.01%	<0.006%	$\pm 26$	120 x 78 x 40	410	£20.75
HY128	60	4	0.01%	<0.006%	$\pm 35$	120 x 78 x 40	410	£20.75
HY244	120	4	0.01%	<0.006%	$\pm 35$	120 x 78 x 50	520	£25.47
HY248	120	8	0.01%	<0.006%	$\pm 50$	120 x 78 x 50	520	£25.47
HY364	180	4	0.01%	<0.006%	$\pm 45$	120 x 78 x 100	1030	£38.41
HY368	180	8	0.01%	<0.006%	$\pm 60$	120 x 78 x 100	1030	£38.41

Protection: Full load line. Slew Rate: 15V/ $\mu$ s. Rise time: 3 $\mu$ s. S/N ratio: 100db. Frequency response (-3dB) 15Hz - 50KHz. Input sensitivity: 500mV rms. Input Impedance: 100K $\Omega$ . Damping factor: 100Hz >400.

### PRE-AMP SYSTEMS

Module Number	Module	Functions	Current Required	Price inc. VAT
HY6	Mono pre amp	Mic/Mag. Cartridge/Tuner/Tape/Aux + Vol/Bass/Treble	10mA	£7.60
HY66	Stereo pre amp	Mic/Mag. Cartridge/Tuner/Tape/Aux + Vol/Bass/Treble/Balance	20mA	£14.32
HY73	Guitar pre amp	Two Guitar (Bass Lead) and Mic + separate Volume Bass Treble + Mix As HY66 less tone controls	20mA	£15.36
HY78	Stereo pre amp	As HY66	20mA	£14.20

Most pre-amp modules can be driven by the PSU driving the main power amp. A separate PSU 30 is available purely for pre-amp modules if required for £5.47 (inc. VAT). Pre-amp and mixing modules in 18 different variations. Please send for details.

### Mounting Boards

For ease of construction we recommend the B6 for modules HY6-HY13 £11.05 (inc. VAT) and the B66 for modules HY66-HY78 £11.29 (inc. VAT).

### POWER SUPPLY UNITS (Incorporating our own toroidal transformers)

Model Number	For Use With	Price inc. VAT	Model Number	For Use With	Price inc. VAT	Model Number	For Use With	Price inc. VAT
PSU 21X	1 or 2 HY30	£11.93	PSU 52X	2 x HY124	£17.07	PSU 72X	2 x HY248	£22.54
PSU 41X	1 or 2 HY60, 1 x HY6060, 1 x HY124	£13.83	PSU 53X	2 x MOS128	£17.86	PSU 73X	1 x HY364	£22.54
PSU 42X	1 x HY128	£15.90	PSU 54X	1 x HY248	£17.86	PSU 74X	1 x HY368	£24.20
PSU 43X	1 x MOS128	£16.70	PSU 55X	1 x MOS248	£19.52	PSU 75X	2 x MOS248, 1 x MOS368	£24.20
PSU 51X	2 x HY128, 1 x HY244	£17.07	PSU 71X	2 x HY244	£21.75			

Please note: X in part no. indicates primary voltage. Please insert '0' in place of X for 110V, '1' in place of X for 220V (Europe), and '2' in place of X for 240V (U.K.). All units except UC1 incorporate our own toroidal transformers.

### MOSFET MODULES

Module Number	Output Power Watts rms	Load Impedance $\Omega$	T.H.D. Typ at 1KHz	I.M.D. 60Hz/7KHz 4:1	Supply Voltage Typ	Size mm	WT gms	Price inc. VAT
MOS 128	60	4-8	<0.005%	<0.006%	$\pm 45$	120 x 78 x 40	420	£30.41
MOS 248	120	4-8	<0.005%	<0.006%	$\pm 55$	120 x 78 x 80	850	£39.86
MOS 364	180	4	<0.005%	<0.006%	$\pm 55$	120 x 78 x 100	1025	£45.54

Protection: Able to cope with complex loads without the need for very special protection circuitry (fuses will suffice). Slew rate: 20V/ $\mu$ s. Rise time: 3 $\mu$ s. S/N ratio: 100db. Frequency response (-3dB): 15Hz - 100KHz. Input sensitivity: 500mV rms. Input impedance: 100K $\Omega$ . Damping factor: 100Hz >400.

### 'NEW to ILP' In Car Entertainments

**C15**  
Mono Power Booster Amplifier to increase the output of your existing car radio or cassette player to a nominal 15 watts rms.

Very easy to use.  
Robust construction. **£9.14 (inc. VAT)**  
Mounts anywhere in car.  
Automatic switch on.

Output power maximum 22w peak into 4 $\Omega$ .  
Frequency response (-3dB) 15Hz to 30KHz, T.H.D. 0.1% at 10w 1KHz  
S/N ratio (DIN AUDIO) 80dB, Load Impedance 3 $\Omega$ .  
Input Sensitivity and Impedance (selectable) 700mV rms into 15K $\Omega$  3V rms into 8 $\Omega$ .  
Size 95 x 48 x 50mm. Weight 256 gms.

**C1515**  
Stereo version of C15. **£17.19 (inc. VAT)**  
Size 95 x 40 x 80. Weight 410 gms.

# WITH A LOT OF HELP FROM ILP ELECTRONICS LTD

## PROFESSIONAL HI-FI THAT EVERY ENTHUSIAST CAN HANDLE...

### Unicase

Over the years ILP has been aware of the need for a complete packaging system for its products, it has now developed a unique system which meets all the requirements for ease of assembly, adaptability, ruggedness, modern styling and above all price.

Each Unicase kit contains all the hardware required down to the last nut and bolt to build a complete unit without the need for any special tools.

Because of ILP's modular approach, "open plan" construction is used and final assembly of the unit parts forms a compact aesthetic unit. By this method construction can be achieved in under two hours with little experience of electronic wiring and mechanical assembly.

### Hi Fi Separates

**UC1 PRE AMP UNIT:** Incorporates the HY78 to provide a "no frills", low distortion, (<0.01%), stereo control unit, providing inputs for magnetic cartridge, tuner, and tape/monitor facilities. This unit provides the heart of the hi fi system and can be used in conjunction with any of the UP Unicase series of power amps. For ultimate hum rejection the UC1 draws its power from the power amp unit.

**POWER AMPS:** The UP series feature a clean line front panel incorporating on/off switch and concealed indicator. They are designed to compliment the style of the UC1 pre-amp. Performance for each unit which includes the appropriate power supply, is as specified on the facing page.

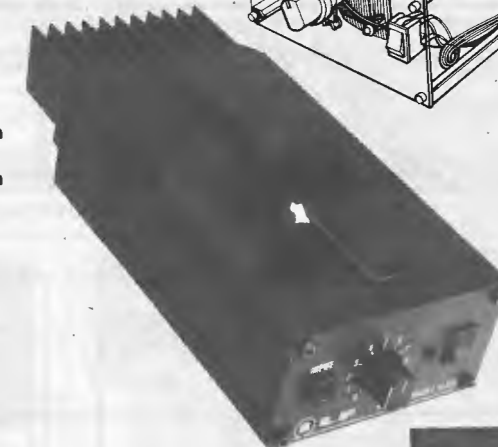
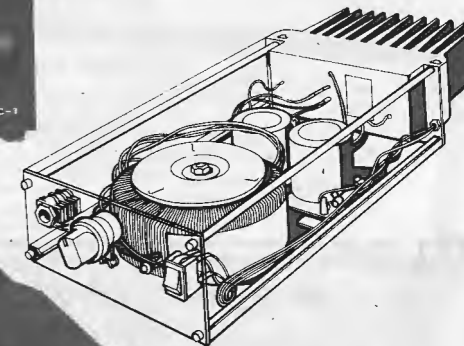
### Power Slaves

Our power slaves, which have numerous uses i.e. instrument, discotheque, sound reinforcement, feature in addition to the hi fi series, front panel input jack, level control, and a carrying handle. Providing the smallest, lowest cost, slave on the market in this format.

### UNICASES

HIFI Separates					Price inc. VAT
UC1	Preamp				£29.95
UP1X	30 + 30W/4-8 $\Omega$	Bipolar	Stereo	HiFi	£54.95
UP2X	60W/4 $\Omega$	Bipolar	Mono	HiFi	£54.95
UP3X	60W/8 $\Omega$	Bipolar	Mono	HiFi	£54.95
UP4X	120W/4 $\Omega$	Bipolar	Mono	HiFi	£74.95
UP5X	120W/8 $\Omega$	Bipolar	Mono	HiFi	£74.95
UP6X	60W/4-8 $\Omega$	MOS	Mono	HiFi	£64.95
UP7X	120W/4-8 $\Omega$	MOS	Mono	HiFi	£84.95
Power Slaves					Price inc. VAT
US1X	60W/4 $\Omega$	Bipolar	Power	Slave	£59.95
US2X	120W/4 $\Omega$	Bipolar	Power	Slave	£79.95
US3X	60W/4-8 $\Omega$	MOS	Power	Slave	£69.95
US4X	120W/4-8 $\Omega$	MOS	Power	Slave	£89.95

Please note X in part number denotes mains voltage. Please insert '0' in place of X for 110V, '1' in place of X for 220V (Europe), and '2' in place of X for 240V (U.K.). All units except UC1 incorporate our own toroidal transformers.



### TO ORDER USING OUR FREEPOST FACILITY

Fill in the coupon as shown, or write details on a separate sheet of paper, quoting the name and date of this journal. By sending your order to our address as shown at the bottom of the page opposite, with FREEPOST clearly shown on the envelope, you need not stamp it. We pay postage for you. Cheques and money orders must be crossed and made payable to I.L.P. Electronics Ltd. If sending cash, it must be by registered post. To pay C.O.D. please add £1 to TOTAL value of order.

### PAYMENT MAY BE MADE BY ACCESS OR BARCLAYCARD IF REQUIRED

Post to: ILP Electronics Ltd., Freepost, 5 Graham Bell House, Roper Close, Canterbury, CT2 7EP, Kent, England. Telephone: (0227) 54778. Technical: (0227) 64723. Telex: 965780.

Please send me the following \_\_\_\_\_

Total purchase price \_\_\_\_\_

I enclose Cheque  Postal Orders  Int. Money Order

Please debit my Access/Barclaycard No. \_\_\_\_\_

Name \_\_\_\_\_

Address \_\_\_\_\_

Signature \_\_\_\_\_

WW - 008 FOR FURTHER DETAILS



REGD. TRADE MARK

# TEONEX

## TEONEX ELECTRONIC VALVES AND SEMICONDUCTORS

SERVING THE WORLD FOR 30 YEARS

We specialise in the supply of Industrial Valves of British, European and USA manufacture, and semiconductors from the Philips Group. Many types, including obsolete and obsolescent types, always available from stock.

For further details, contact Mrs. Janet Lowy.

**T.O. SUPPLIES (EXPORT) LTD., 2A Westbourne Grove Mews, London W11 2RY.**  
Telephone: (01) 727 3421 Telex: 262256 Answerback TOSPLY G

WW - 011 FOR FURTHER DETAILS

## Happy Memories

Part type	1 off	25-99	100 up
4116 200ns.....	.90	.81	.78
4116 250ns.....	.70	.63	.60
4816 100ns For BBC comp.....	2.20	1.95	1.85
4164 200ns.....	3.99	3.56	3.42
2114 200ns Low power.....	1.15	1.00	.90
2114 450ns Low power.....	.95	.85	.80
4118 250ns.....	3.35	3.00	2.85
6116 150ns CMOS.....	3.35	3.00	2.85
2708 450ns.....	2.60	2.25	2.10
2716 450ns 5 volt.....	2.35	2.10	2.02
2716 450ns three rail.....	5.75	5.00	4.65
2732 450ns Intel type.....	3.50	3.15	3.00
2532 450ns Texas type.....	3.70	3.30	3.00
2764 250ns.....	4.90	4.35	4.20

Z80A-CPU.....	£3.95	Z80A-P10.....	£2.99	Z80A-CTC.....	£2.99
6522 PIA.....	£4.90	7002 A-D.....	£4.60	3691.....	£2.75
88LS120.....	£2.20	7805 reg.....	.50	7812 reg.....	.50

Low-profile IC sockets:	Pins	8	14	16	18	20	22	24	28	40
	Pence	9	10	11	14	15	18	19	25	33

Soft-sectored floppy discs per 10 in plastic library case:			
5-inch SSSD	£17.00	5-inch SSDD	£19.25
5-inch DSDD	£26.35	5-inch DSDD	£26.35
8-inch SSSD	£19.25	8-inch SSDD	£23.65
8-inch DSDD	£25.50	8-inch DSDD	£25.50

74LS series TTL, large stocks at low prices with DIY discounts starting at a mix of just 25 pieces. Write or 'phone for list.

Please add 50p post & packing to orders under £15 and VAT to total. Access & Visa welcome. 24-hr service on (054 422) 618. Government & Educational orders welcome, £15 minimum. Trade accounts operated, 'phone or write for details.

**HAPPY MEMORIES (WW)**  
Gladestry, Kington  
Herefordshire HR5 3NY  
Telephone: (054 422) 618 or 628

## RECHARGEABLE BATTERIES

PRIVATE & TRADE ENQUIRIES WELCOME

Full range available to replace 1.5 volt dry cells and 9 volt PP type batteries, SAE for lists and prices. £1.45 for booklet, "Nickel Cadmium Power," plus catalogue.

★ New sealed lead range now available ★

Write or call at:

**SANDWELL PLANT LTD.**  
2 Union Drive, Boldmere  
Sutton Coldfield, West Midlands, 021-354 9764  
Southern Office: 0462 733254

WW - 032 FOR FURTHER DETAILS

## RADFORD

Audio Measuring Instruments, Audio Amplifiers, Loudspeakers and Loudspeaker Components for the professional and enthusiast

**RADFORD AUDIO LTD.**  
10 BEACH ROAD  
WESTON-S-MARE, AVON BS23 2AU  
TEL. 0934 416033

WW - 022 FOR FURTHER DETAILS

## PRINTED CIRCUITS

FOR WIRELESS WORLD PROJECTS

Audio compressor/limiter—Dec. 1975—1 s.s. (stereo)	£4.25
Cassette recorder—May 1976—1 s.s.	£5.00
Audio compander—July 1976—1 s.s.	£4.25
Audio preamplifier—November 1976—2 s.s.	£8.50
Additional circuits—October 1977—1 s.s.	£4.00
Stereo coder—April 1977—1 d.s. 2 s.s.	£8.50
Low distortion disc amplifier (stereo)—September 1977—1 s.s.	£2.00
Low distortion audio oscillator—September 1977—1 s.s.	£3.50
Synthesized f.m. transceiver—November 1977—2 d.s. 1 s.s.	£12.00
Morsemaker—June 1978—1 d.s.	£4.50
Metal detector—July 1978—1 d.s.	£3.75
Oscilloscope waveform store—October 1978—4 d.s.	£18.00
Regulator for car alternator—August 1978—1 s.s.	£2.00
Wideband noise reducer—November 1978—1 d.s.	£5.00
Versatile noise generator—January 1979—1 s.s.	£5.00
200MHz frequency meter—January 1979—1 d.s.	£7.00
High performance preamplifier—February 1979—1 s.s.	£5.50
Distortion meter and oscillator—July 1979—2 s.s.	£5.50
Moving coil preamplifier—August 1979—1 s.s.	£3.50
Multi-mode transceiver—October 1979—10 d.s.	£35.00
Amplification system—Oct. 1979—3 preamp 1 poweramp	£4.20 each
Digital capacitance meter—April 1980—2 s.s.	£7.50
Colour graphics system—April 1980—1 d.s.	£18.50
Audio spectrum analyser—May 1980—3 s.s.	£10.50
Multi-section equalizer—June 1980—2 s.s.	£8.00
Floating-bridge power amp—Oct. 1980—1 s.s. (12V or 40V)	£4.00
Nanocomp 6802 or 6809—Jan., July, 1981—1 d.s. 1 s.s.	£9.00
Cassette interface—July, 1981—1 s.s.	£1.50
Eprom programmer—Jan., 1982—1 d.s.	£4.50
Logic probe—Feb., 1981—2 d.s.	£8.00
Modular frequency counters—March, 1981—8 s.s.	£20.00
Opto electronic contact breaker (Delco)—April, 1981—2 s.s.	£4.00
CB synthesiser—Sept.—1 d.s.	£6.00
Electronic ignition—March, 1982—1 s.s.	£4.00

Boards and glassfibre roller-tinned and drilled. Prices include VAT and UK postage. Airmail add 30%, Europe add 10%. Insurance 10%. Remittance with order to:

**M. R. SAGIN, NANCARRAS MILL, THE LEVEL  
CONSTANTINE, FALMOUTH, CORNWALL**

WW - 013 FOR FURTHER DETAILS

## Toroidal Transformers



THE COTSWOLD "BUDGET RANGE" OFFERS BUILT-IN QUALITY COUPLED TO A RELIABLE DELIVERY SERVICE MOST TYPES FROM STOCK

IEC 65  
VDE 0550  
BS 415  
TO ORDER

PHONE  
TELEX, WRITE  
FOR DATA SHEET  
AND PRICE LIST

**Cotswold Electronics LTD.**

Unit T1, Kingsville Road, Kingsditch Trading Estate, Cheltenham GL51 9NX

Tel: 0242-41313

Telex: 897106

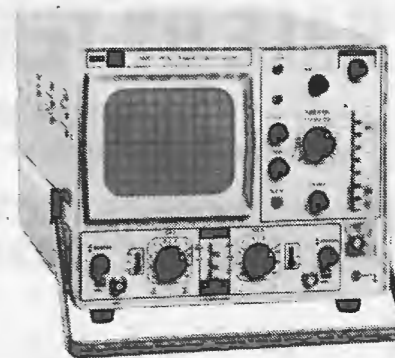
Sales Office in U.S.A.  
AVEL LINDBERG INC.  
Peacock Alley 116, 1 Padanaram Road, Danbury, CT 06810 U.S.A.  
203-797-8698. Telex: 710-456-9984

WW - 053 FOR FURTHER DETAILS

Carston Carston Carston

## CROTECH Oscilloscopes

These are brand-new instruments



3030 15MHz 1 Trace	
5mV built-in	
component tester	£150
3033 15MHz 1 Trace	
5mV battery	
operation	£280
3034 15MHz 2 Trace	
5mV battery	
operation	£360
3131 15MHz 2 Trace	
5mV built-in	
component tester	£240
3337 30MHz 2 Trace	
5mV with signal	
delay	£395
391	
Battery eliminator	£32

Prices exclude delivery and VAT.

Now, more than ever, the purchase of used test equipment can make more sense than buying new or even rental. Our wide choice, lower prices, and our guarantee arrangements can satisfy many of your urgent needs, NOW no waiting.

Although we also sell older models, a large proportion of our inventory is represented by manufacturers' currently listed models. Send for our full list.

Our current stock list includes:

AUDIO & ACOUSTIC	MULTI-METERS
ANALOGUE METERS	NETWORK ANALYSERS
BRIDGES	OSCILLOSCOPES
CHART RECORDERS	PHASE METERS
CALIBRATION EQUIPMENT	POWER METERS
CABLE TESTING	POWER SUPPLIES
COMMS. TEST EQUIPMENT	PULSE GENERATORS
COMPONENT TESTING	SIGNAL GENERATORS
COMPUTER EQUIPMENT	STORAGE OSCILLOSCOPES
DIGITAL TEST EQUIPMENT	SPECTRUM ANALYSERS
DIGITAL STORAGE SCOPES	SWEEP GENERATORS
DISTORTION METERS	T.V. TEST EQUIPMENT
DIGITAL METERS	TAPE RECORDERS
DATA LOGGERS	U.V. RECORDERS
DATACOM TESTING	VOLTAGE BREAKDOWN TESTERS
FREQUENCY COUNTERS	VIBRATION MEASUREMENT
FUNCTION GENERATORS	VOLTMETERS
LOGIC TESTING	WAVE ANALYSERS
MAINS SUPPLY TESTERS	X.Y. RECORDERS AND MORE
MODULATION METERS	

Current and refurbished discontinued models too!



Phone  
01-267 5311  
FOR STOCKLIST  
UP DATE

# Carston sell

used, guaranteed test equipment, calibrated to manufacturers' original specification.

Carston Electronics Ltd., Shirley House, 27 Camden Road, London NW1 9NR. Tel: 01-267 5311. Telex: 23920 (Hours Monday to Friday 9.30 am to 5.00 pm - lunch 1-2 pm). Prices exclude delivery & VAT.

WW - 021 FOR FURTHER DETAILS



# £250,000 OF COMPONENTS FOR SALE BY TENDER AS ONE LOT

BY STRATFORD AUCTIONS  
by order of the Liquidator A. P. WAITSMAN, ESQ

RE: C.T. ELECTRONICS (ACTON) LTD (IN LIQUIDATION)  
270 ACTON LANE, CHISWICK, LONDON W4 5DG

AT THE PREMISES OF THE ABOVE ON MONDAY, 18th, TUESDAY, 19th  
WEDNESDAY, 20th APRIL, 1983

VIEWING FROM 10 a.m. to 4 p.m. AT 270 ACTON LANE W4 OR BY APPOINTMENT  
(Unless previously sold)

Closing date of tender forms: 22nd April, 1983

CONSISTING OF THE ENTIRE STOCK AT THE WAREHOUSE, i.e.:

CONNECTORS	STABILISED POWER SUPPLIES
SWITCHES	VERO PRODUCTS
ASSORTED FUSES VARIOUS	SEMICONDUCTORS
TV TUBES	RELAYS
CABLE	MAINS FILTERS
TRANSFORMERS	SLOW MOTORS
RESISTORS NETWORKS	DIGITAL MULTIMETERS
D TO A CONVERTERS	CAR SPEAKERS
ETC, ETC	

THIS IS JUST AN EXAMPLE OF THE LARGE AMOUNT OF STOCK TO BE DISPOSED OF  
TENDER FORMS and all further information from:

**THE AUCTIONEER:**  
**A. HOLLAND, ESQ**  
**STRATFORD AUCTIONS**  
174 THE GROVE, STRATFORD, LONDON E15 1NS

TELEPHONE: 01-555 6149/6163

PLEASE NOTE BANKERS DRAFT OR CASH ONLY

TENDER FORM 50p

FOR EVERYTHING IN ELECTRONICS  
**Wirelessworld**

**Editor:**  
PHILIP DARRINGTON  
01-661 3128

**Deputy Editor:**  
GEOFFREY SHORTER, B.Sc.  
01-661 8639

**Technical Editor:**  
MARTIN ECCLES  
01-661 8638

**News Editor:**  
DAVID SCOBIE  
01-661 8632

**Drawing Office Manager:**  
ROGER GOODMAN  
01-661 8690

**Technical Illustrator:**  
BETTY PALMER

**Advertisement Manager:**  
BOB NIBBS, A.C.I.I.  
01-661 3130

BARBARA MILLER  
01-661 8640

JULIAN BIDLAKE  
01-661 8641

**Northern Sales:**  
HARRY AIKEN  
061-872 8861

**Midland Sales:**  
BASIL MCGOWAN  
021-356 4838

**Classified Manager:**  
BRIAN DURRANT  
01-661 3106

IAN FAUX  
01-661 3033

**Production:**  
BRIAN BANNISTER  
(Make-up and copy)  
01-661 8648

**Publishing Director**  
DAVID MONTGOMERY  
01-661 3241

## Impossible loyalties

A common assertion by those who have a vested interest in the retention by a company of engineering knowledge and skills is that engineers owe allegiance to the organization that employs them. Engineers, it is said, should preserve company secrets, even when it would be to the public good to disclose them, and should not behave in any way which would damage the organization, though it may be acting in an impossible manner.

Engineers, in short, must be loyal to their organization.

This is a curious use of the world 'loyal'. Two prerequisites must be present in a relationship before loyalty can enter – the two parties concerned must be people and the loyalty must work both ways – neither of which conditions can apply between an employee and his organization.

Loyalty is normally regarded as existing between friends or among people who work together. It may be possible to display loyalty to a football team or to a school or any other group, but it is to the people in the groups that the loyalty is shown. An organization consists of people, but in the sense in which employees are exhorted to be loyal, it is the organization itself which claims the loyalty. In such a relationship, there is no personal link to stimulate loyalty, which is a moral attitude, impossible to attribute to an organization.

Loyalty to an organization is rendered more meaningless by the lack of any return in the attitude. An organization does whatever it must do in its own best interests, heedless of any benefits or harm to anyone. It is completely impersonal and cannot display loyalty to any person. The link between organization and employee is therefore one-way only and loyalty cannot exist.

Loyalty is considered to be a praiseworthy attitude, and it makes little sense to describe as loyal a person who acts in a less than praiseworthy manner to demonstrate his loyalty. Could one be loyal to a mass murderer, or to a group of terrorists? How, then, could an employee be loyal, even if one is to disregard all the foregoing, to an organization which makes profits from the sale of offensive weapons, or seeks to work in any way against the common good?

It is in this area, of the direction of responsibility, that engineering professionalism needs a close look. A professional considers the interests of his client (employer) before those of the rest of society, regarding, in the process, the results of his work as being the responsibility of his employer.

This is an anti-social attitude of mind, which in the perilous 1980s should be closely re-examined, particularly when the professionals concerned are engineers.



# Data decoder for UOSAT

This high-performance correlation demodulator can decode data or picture information from the UOSAT spacecraft either directly off-air or from tape-recordings. It may be connected to a printer, v.d.u. or computer as the user wishes.

Since UOSAT's digital data is sent as 1200Hz or 2400Hz tones, a possible method of decoding it is to time the zero-crossings of the signal. Decoders based on this principle, however, are highly susceptible to noise and interference. Their performance depends on the audible signal-to-noise ratio, which is in turn directly dependent on the audio bandwidth; and the bandwidth cannot be reduced indefinitely without also attenuating the signal.

A more promising approach is to use a correlation decoder: this matches the incoming signal against synthesised replicas and in doing so extracts information much more effectively. In consequence its error performance is dependent only on the energy-density of the noise, which is independent of the audio bandwidth. In this way a signal can be decoded uncorrupted even though it seems to be buried in noise: for example, 45 baud data signals can be decoded without errors at a noise-to-signal ratio as poor as 5:1. This type of system is known as a matched filter.

The decoder described in this article comprises a channel filter, a 1200 baud demodulator, a 300 baud demodulator, a lock detector and a line-synchronization detector for the image data from UOSAT's c.c.d. television camera. Of these, the 1200 baud demodulator is central to the design; the other circuits may be omitted if the user does not require them. Alternative data-rates can be effected by changing timing components. The system does not include image display circuits since a design for these is available from AMSAT-UK<sup>1</sup>.

## Decoder outline

The decoder's task is to distinguish in the presence of noise between the two tones possible within a bit-period. The essential tool for this job is a correlator (Fig. 3). The signal to be detected is multiplied by its replica and the product is accumulated over a signal interval. Maximum output indicates a perfect match, zero output no match. Now, since 0 and 1 signals are mutually exclusive, the output of two such correlators may be compared to find the better match at the end of each bit-interval (Fig. 4). This is the matched filter. For timing, a bit rate clock is required, and must be extracted from the incoming sig-

by J. R. Miller, B.Sc.

nal; this rate may be either 1200 or 300 baud. The video line-sync code may best be detected using a window correlator. As the name suggests, this inspects a short sequence of the data-stream as it passes by, looking for a particular pattern. In the case of the line-sync code, the window would

## Data transmissions from UOSAT

The satellite can transmit a variety of data formats at a number of popular speeds, as directed by ground-station command. The data includes telemetry, news bulletins and camera images.

Telemetry information is sent in 12-bit ASCII code: one start-bit, seven data, one even-parity and three stop-bits. A sample block is reproduced in Fig. 1. The first two lines are the 45 spacecraft status bits; the next six lines display 60 telemetry values, prefixed with identifiers 00-59. Translation of the three information digits is simple. For example, the right hand column gives temperatures of the six faces of the spacecraft, which convert as  $T = 0.2 \times (474 - N)$  degrees Celsius. A complete list is available through AMSAT-UK<sup>1</sup>. There are occasional variations to this format; explanations then accompany the data. The data rate is usually 1200 or 300 baud, although 45.45 baud (Baudot code), Morse code and 'Digitalker' synthetic speech are sometimes used.

News bulletins are sent as text and typically contain operational information, orbital data and acknowledgements of reception reports. The format is 11-bit ASCII with two stop-bits.

Image transmissions from the spacecraft's c.c.d. camera experiment have a 256x256 pixel format with a 16-level grey-scale (four bits). The ground area seen in an image is about 500km square<sup>2</sup>.

The transmitted sequence is illustrated in Fig. 1b, and is sent in a line-synchronous manner, i.e. 256x4 bits for each line, and 256 lines. Each line is preceded by a frame header. The line-sync code is 32 bits,

01011011101001000101101110100100

be 32 bits long with the correlator threshold set perhaps slightly below 32 'votes', giving some immunity from occasional corrupted bits.

## Processing

Since the signal carries virtually no information in its amplitude, hard-limiting it will allow subsequent multiplications to be carried out by exclusive-or gates (Fig. 5). The two accumulators and the decision-tester described above are reconfigured

(hex 5BA45BA4). Thus a line is 1056 bits long. The frame header consists of a shortened line composed of 31 line-sync codes, preceded by normal line-sync, and is 1024 bits long.

Pixels are coded 0000=black, 1111=white. MSB is sent first. A complete frame comprises 271360 bits, and at 1200 baud is transmitted in about 3.77 minutes.

Fig. 1a. Typical telemetry block from UOSAT. The two identical lines of status bits are followed by 60 telemetry values. These values may easily be decoded using the published calibration equations.

```
AMSAT 10100 10000 00000 00000 00100 00000 10101 11100 00000
AMSAT 10100 10000 00000 00000 00100 00000 10101 11100 00000
00440 01060 02690 03000 04000 05559 06750 07555 08447 09447
10140 11200 12000 13000 14027 15409 16822 17293 18448 19444
20170 21070 22672 23005 24007 25418 26422 27294 28494 29445
30330 31210 32665 33204 34013 35301 36374 37407 38510 39442
40140 41550 42699 43173 44041 45000 46003 47463 48486 49541
50180 51070 52283 53428 54609 55441 56015 57430 58507 59427
```

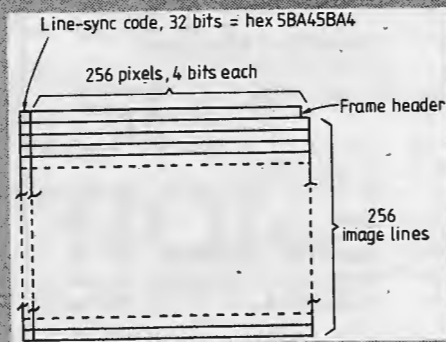


Fig. 1b. Data format of UOSAT's c.c.d. image transmissions. The frame header is a shortened line comprising 31 line-sync codes plus the normal line-sync code and is 1024 bits long. Each of the 256 image lines is 1056 bits long in total.

## Binary two-tone encoding

Data at 1200 bits per second is encoded as synchronous audio frequency-shift keying (a.f.s.k.) with one cycle of 1200Hz for 'mark' and two cycles of 2400Hz for 'space' (Fig. 2). This audio then frequency modulates the RF carrier, and may be detected using an ordinary amateur n.b.f.m. receiver, preferably with the de-emphasis reduced to about 50 microseconds so as to preserve correct phase relationships. Other baud rates use the same coherent tones, but bit transitions occur asynchronously; the modulation is inverted with respect to that used for 1200 baud.

Note that the ASCII polarities are: space=start=data 0, and mark=stop=data 1. For the c.c.d. image, 0=1200Hz and 1=2400Hz. The f.m. deviation is quite small: at 145MHz it is 600 and

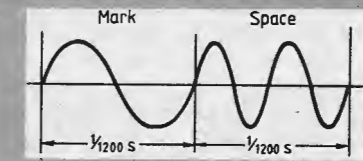


Fig. 2. Synchronous two-tone a.f.s.k. encoding. At 1200 baud, as shown here, data is synchronous. At other speeds, data is asynchronous and transitions occur at random phase angles within the tones. These audio-frequency tones modulate UOSAT's carrier on 145.825MHz or 435.025MHz.

1200Hz for the two tones, although at 435MHz it is somewhat wider. The maximum doppler shift for the 145MHz transmission is  $\pm 3.5$ kHz, with a rate-of-change reaching 50Hz/s on an overhead pass.

here as a subtractor followed by a single accumulator. At the end of each bit-interval the decision is clocked into an output buffer and the integrator's output is zeroed in readiness for the next bit.

To generate the tone replicas (which may now be square waves) and to provide timing signals, a 1200Hz clock is extracted from the input signal using a phase-locked loop (p.l.l.). This acts on both tones, the contribution from the 2400 product being weighted half that of the 1200 product. A loop-gain of 1500 ensures that static phase errors are kept to a minimum; these might otherwise be troublesome because of oscillator drift or because of speed variations when decoding data recorded on tape. This gain corresponds to a voltage-controlled oscillator swing of 750Hz with respect to a nominal frequency of 1200Hz. With off-air signals the loop-bandwidth can be as little as 2Hz before acquisition of lock becomes inconveniently slow. However, during tape replay the bandwidth must be narrow enough to minimise the effects of signal noise though wide enough to accommodate speed variations in the tape machine, especially wow. With a cheap cassette machine the figure is likely to be about 20Hz.

A p.l.l. is merely a continuous correlator with feedback arranged to drive the phase of its replica to yield an average correlation of zero. This condition also occurs when the input is random noise; so it is useful to include a lock-detector. Lock can be indicated by a meter.

In synchronous 1200 baud mode, the bit-rate clock is by definition provided by the signal tones; however, at asynchronous rates (e.g. 300 baud) the clock must be extracted from the data itself. The data must therefore be detected first in some non-synchronous way, and for this a simple RC filter is sufficient (Fig. 6). The spectrum of this random data signal has a null at the bit-rate, but it does have energy at half the bit-rate. Thus if the data is squared, a spectral component will appear at the bit-rate with constant phase, which is what is required. A suitable way of doing this is to exclusive-or the data with itself delayed by half a bit-period. This generates a single cycle of bit clock for each data transition. This signal can be made contin-

uous by another p.l.l., which can then be used to operate the data-correlator's dump-reset and so provide coherent detection.

Image line sync detection is effected by clocking the detected 1200 baud data into a 32-bit shift register (Fig. 7). The output from each stage is added or subtracted in an analogue summing circuit, according to whether the bit to be tested is a 1 or a 0. When all 32 bits are nesting in the 'memory' maximum output is obtained from the summation. A clipping threshold set at, say, 30 'votes' allows for up to two

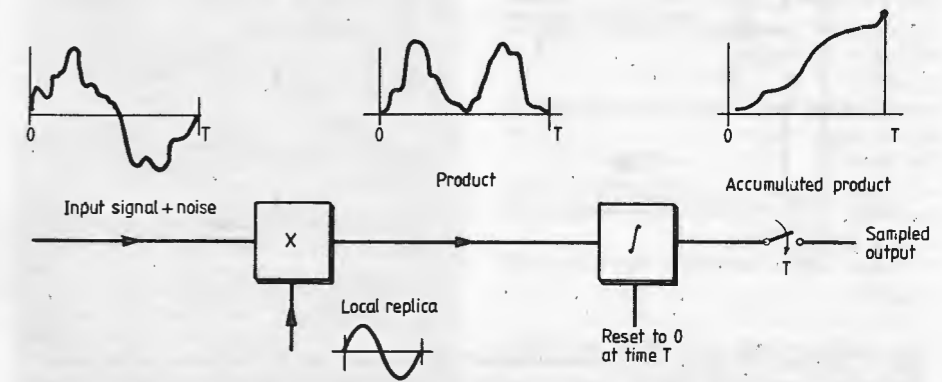


Fig. 3. Basic elements of a correlator. A (noisy) incoming signal is multiplied by a perfect local replica and the product is integrated. At the end of the data interval the resulting accumulation is tested. The accumulator is then usually reset and the process repeated. If the signal exactly matches the replica, the output is at a maximum.

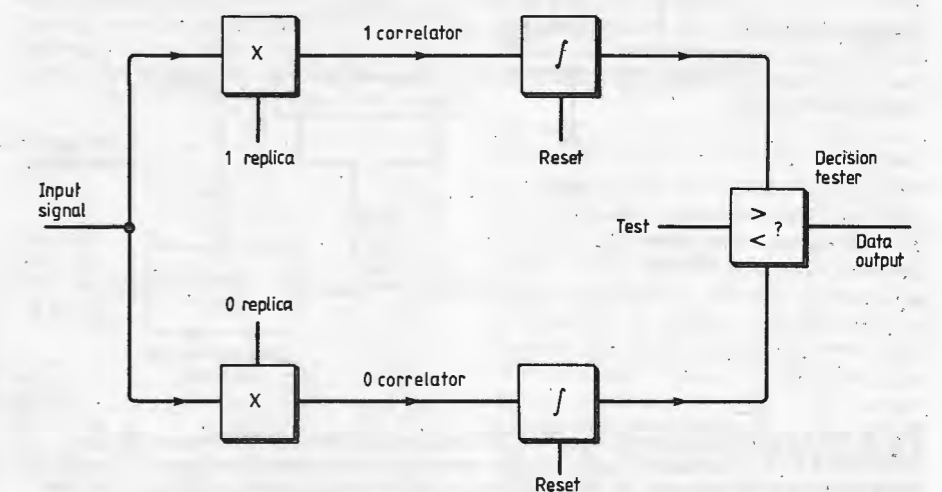


Fig. 4. A matched filter. The output of a pair of correlators is tested to find the better of the two matches. In the practical circuit, this decision is effected by a subtraction operation.

bit errors. It should be noted that since the line-sync code contains 16 bits repeated, there will be a half-amplitude correlation peak 16 time slots before and after the main peak. This is caused by the first block of code (hex 5BA4) passing through and matching the template provided for the second block, and vice-versa. If this peak were not present then the voting threshold could be set even lower. The code is not ideal.

## Circuit notes

The complete circuit diagram is shown in Fig. 11. Although the system was designed for 12V operation, it will work with supplies between 6V and 18V. (For supplies above 15V, CMOS devices numbered with a 'B' suffix should be used.) A half- $V_{DD}$  bias is incorporated to 'float' the op-amps. Wire-wrap construction was used for the prototype, with components mounted on dil headers for easy experimentation. Layout is not particularly critical, though it would be prudent to keep the input circuits and the two p.l.l.s apart to minimise stray pick-up.

The channel filter has a 3dB cut-off at 3000Hz and is a fifth-order Bessel type, with a very flat group delay (about 135 microseconds) which introduces no ringing or phase-distortion. Interstage a.c. coupling reduces the response below 300Hz. Equivalent noise bandwidth is



3300Hz. The filter is not essential when using de-emphasised signals from a typical f.m. receiver. However it must be used if wide-band noise is present during, for example, performance testing or with signals direct from the receiver's f.m. discriminator.

The limiter (IC<sub>1c</sub>) will operate on a few millivolts of signal. The input polarity-invert switch S<sub>2</sub> is needed as receivers and tape-recorders will have arbitrary inversions built in, and the polarity of 1200 and 300 baud signals differs. The signal presented to the multipliers must be in the correct sense.

The main p.l.l. (IC<sub>2</sub>, IC<sub>3</sub>) operates at 19 200Hz. It is followed by a four-bit divider and some logic to generate the replicas I:1200, I:2400, Q:1200 and Q:2400 together with the synchronous integrate-and-dump timing. The circuit has a loop bandwidth of 20Hz.

An inspection of the waveforms entering the integrator (Fig. 8) shows that accumulation occurs only during the second and third quarters of the basic 1200Hz rhythm. (Because the tones have lost their sinusoi-

dal character through limiting, it is only during this period that they differ.) Thus in synchronous 1200 baud operation the decision 'transfer to output buffer' can take place at the 3T/4 point, and the capacitor can be reset at leisure during the succeeding fourth and first periods. During asynchronous operation, however, 'dump-and-reset' can occur at random times and must be accomplished rapidly.

Acquisition of lock in the main p.l.l. is detected by summing the product of the signal with I:1200 and I:2400. Lock information is available during the first and fourth quarters; the analogue switch IC<sub>7c</sub> admits only this energy to the op-amp RC smoother IC<sub>8b</sub>. The circuit has a gain of 10 to emphasise marginal lock conditions and will 'end-stop' otherwise. A bistable output buffer (IC<sub>9b</sub>) is used as, being on the same chip as the data output buffer, it will have the same threshold.

Extraction of non-coherent data is effected by the continuous correlator R<sub>23</sub>, R<sub>24</sub>, C<sub>14</sub>. The time-constant or 'memory' should be short enough to avoid excessive inter-bit interference but long enough to



James Miller, who is 38, pitched into electronics at an early age with a crystal set. Later he obtained a B.Sc.(Hons) in electronic engineering and then worked for Marconi and Sperry Gyroscope. Seven years ago he joined Cambridge Consultants to work on design and development in signal processing, electronics, computing, optics, non-impact printing and manufacturing technology. His interest in wireless continues through amateur radio (G3RUH), and a passion for satellites has to be shared with cooking and eating, opera and Wagner, the City of Cambridge and other fine things. He does not own a ZX81.

smooth out noise. A value of a quarter to a half of a bit period is usual. The time-constant used introduces a quarter-bit lag, which is convenient for subsequent timing requirements. The asynchronous data may be used directly from this point if required, though its timing will be very ragged and the error rate somewhat high. The analogue switch IC<sub>7b</sub> is only 'on' during the second and third quarters of each 1/1200s period: this keeps out non-information during the first and fourth quarters and at the same time prevents decay of the capacitor voltage and hence loss of information already stored.

To extract the asynchronous bit clock from the 300 baud stream, an eight-bit shift register IC<sub>10</sub> is clocked at sixteen times the bit rate to provide a half-bit delay. The first and last stages are exclusive-or gated to generate a noisy bit clock which then feeds the second p.l.l., IC<sub>11</sub> and IC<sub>12</sub> (another correlator). A four-bit divider and logic provide the bit clock replica I:300 and the carry is used to reset the data correlator as described above. Circuit values shown are for 300 baud; other rates require the values of C<sub>12</sub>, C<sub>14</sub>, C<sub>15</sub>, C<sub>16</sub> to be changed pro rata. The p.l.l. bandwidth is about 1Hz. A lock indication is obtained by multiplying the noisy bit clock by Q:300 and smoothing the result.

The c.c.d. line-sync detector is a 32-bit shift register and consists of IC<sub>9a</sub> for the first bit and IC<sub>14</sub>-IC<sub>17</sub> for the remaining 31. On the circuit diagram, bits are shifted from right to left.

No output buffering is shown in the diagram: the user should add it as required. At the output, ASCII start-bit polarity and data 0 are high, stop and data

1 are low; image bits from the c.c.d. camera are 1 high and 0 low; data clock is significant on high-to-low transitions; lock and line-sync are high true and are synchronous with data output.

### Setting up

An accurate audio generator, oscilloscope and multi-meter will be needed, as well as a telemetry test data tape. To set up the line-sync detector it is necessary to have a c.c.d. data tape. These signal sources may be either recorded off-air or obtained via AMSAT-UK. (The data on the latter's tapes differs slightly from the format now transmitted by UOSAT. However, this does not affect their use.)

**Main p.l.l.:** apply noise to the signal input (noise from the receiver will do). Using R<sub>66</sub>, adjust the v.c.o. of IC<sub>2</sub> to 19200Hz. If this cannot be effected change the timing capacitor C<sub>10</sub>. Do not change resistors, as this will affect the p.l.l. performance characteristics. A 4:1 spread in nominal oscillation frequency of a 4046 chip is quite typical. Applying 0V and then V<sub>DD</sub> to pin 9 of the p.l.l. chip IC<sub>2</sub> should result in a total frequency swing at the divide-by-16 output (IC<sub>3</sub> pin 15) of about 700Hz.

**300 baud p.l.l.:** adjust the centre frequency to 4800Hz with R<sub>67</sub>; if necessary alter C<sub>16</sub> to achieve this. Total frequency swing should be 600Hz at the divider output (IC<sub>12</sub> pin 15).

**Half supply voltage:** still with noise applied to the input, switch to 1200 baud operation and adjust the half-supply-voltage control R<sub>65</sub> until the output buffer bistable yields 1 and 0 with equal frequency. This may be easily observed by connecting an analogue voltmeter between the Q and Q outputs of IC<sub>9a</sub>, pins 1 and 2. It should read zero.

**Performance checks:** apply a 2400Hz tone to the input and verify that the main p.l.l. locks and continuous 1 data is output. Repeat for 1200Hz and observe continuous 0 data. Flip the input invert switch. There

Fig. 7. Line-synchronisation detector for UOSAT's c.c.d. image transmissions. A 32-bit window-correlator offers excellent immunity from corrupted code bits. When the code to be detected (hexadecimal 5BA45BA4) arrives in the shift-register, the output of the analogue summer reaches a maximum. If the threshold is set at, say, 30 votes out of the possible 32, errors in up to two bits will be tolerated.

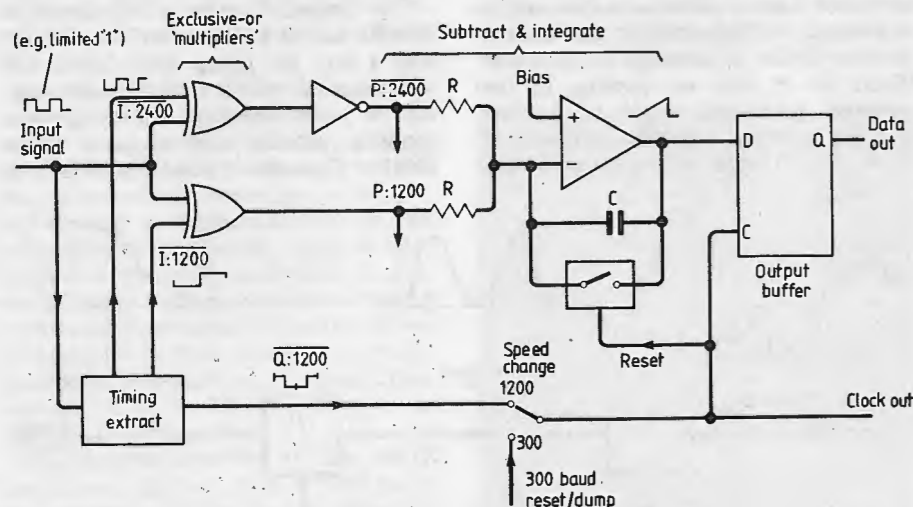
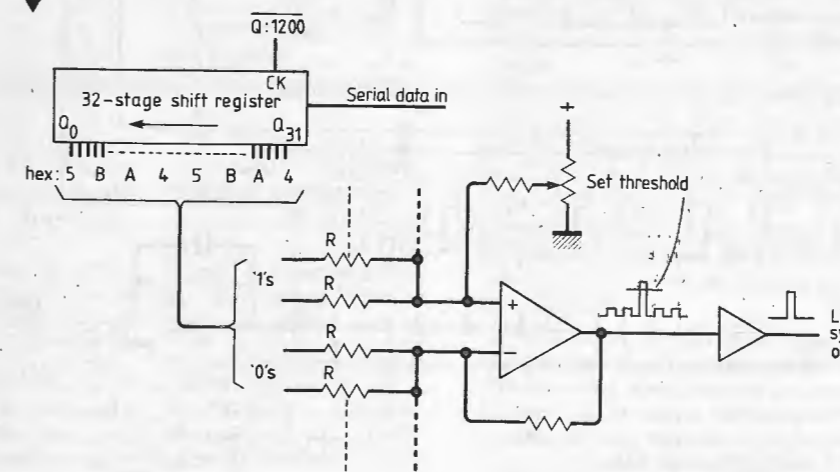


Fig. 5. Outline of the decoder. A phase-locked loop extracts the 1200Hz clock signal and generates the replica signals. The input signal is 'multiplied' by the replica signals in the exclusive-or gates; the op-amp compares the result by subtraction and integrates it.

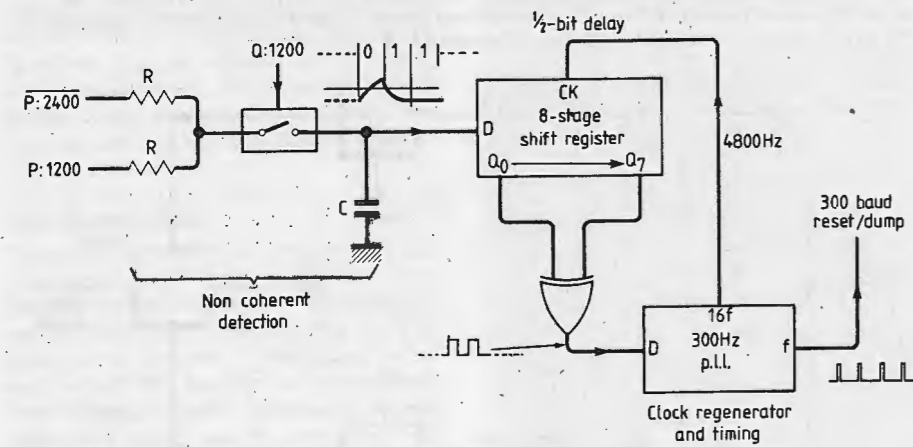


Fig. 6. 300 baud bit-clock extraction. The 300 baud signals are asynchronous and data transitions do not necessarily occur at zero-crossings of the transmitted tones. The data is multiplied by itself delayed, to give one cycle of 300Hz for each data transition. A narrow-bandwidth p.l.l. regenerates from this a steady 300Hz bit-clock which is used to drive the reset-dump section of the coherent detector in Fig. 5. Note that the non-coherent detector effectively is the same as the integrator of Fig. 5, with R replacing the reset switch.

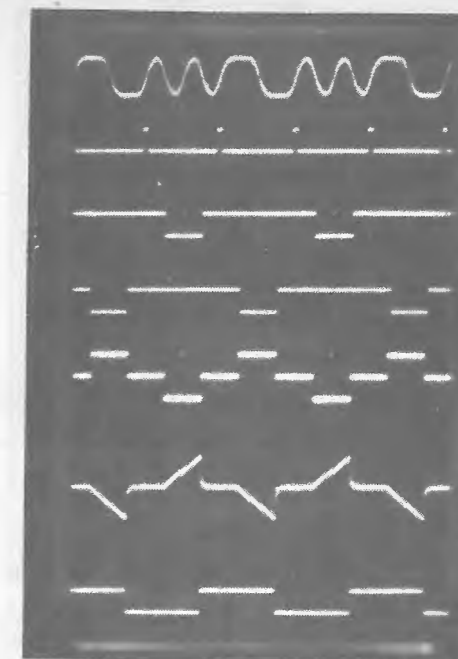


Fig. 8. 1200 baud waveforms. Traces a to g show 5-bit noise-free signals from a test source. The horizontal scale is 417μs per division. When noise is present, the triangles in trace f become ragged and diminished.

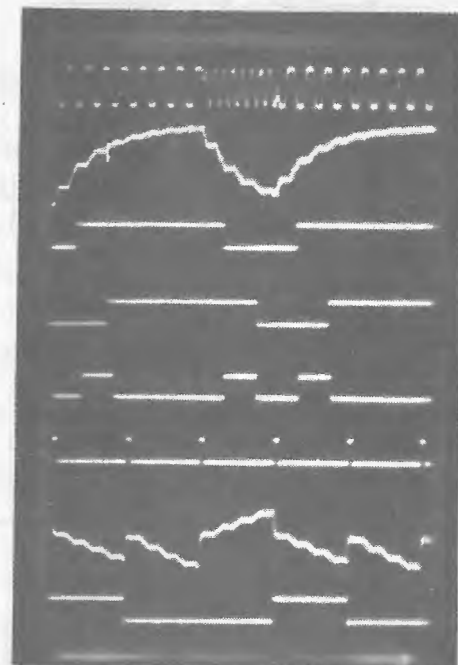


Fig. 9. 300 baud waveforms. Horizontal scale is 1.67ms per division. Note that signal transitions of the input data are asynchronous with respect to the tones. Each transition in trace b gives rise to one proto-cycle of 300 baud clock, which is regenerated by a p.l.l. as in trace f. The total data-processing delay is equivalent to one bit-period.

- (a) Input signal: (1)01010, IC<sub>1</sub> pin 10
- (b) Extracted 1200Hz clock, IC<sub>3</sub> pin 15
- (c) Signal × 0 replica, IC<sub>5</sub> pin 10 (P:1200)
- (d) Signal × 1 replica, IC<sub>5</sub> pin 11 (P:2400)
- (e) P:2400 minus P:1200
- (f) Integrator output, IC<sub>8</sub> pin 1
- (g) Data out, 101010, IC<sub>9</sub> pin 1
- (a) Input signal, (1)00100, IC<sub>1</sub> pin 10
- (b) Incoherently-detected signal, IC<sub>10</sub> pin 7
- (c) Half-bit delay, first stage, IC<sub>10</sub> pin 5
- (d) Half-bit delay, last stage, IC<sub>10</sub> pin 2
- (e) After the exclusive-or gate, IC<sub>13</sub> pin 3
- (f) The extracted 300 baud clock, IC<sub>12</sub> pin 15
- (g) Output of the integrator, IC<sub>8</sub> pin 1
- (h) Data output, 10010(0), IC<sub>9</sub> pin 1

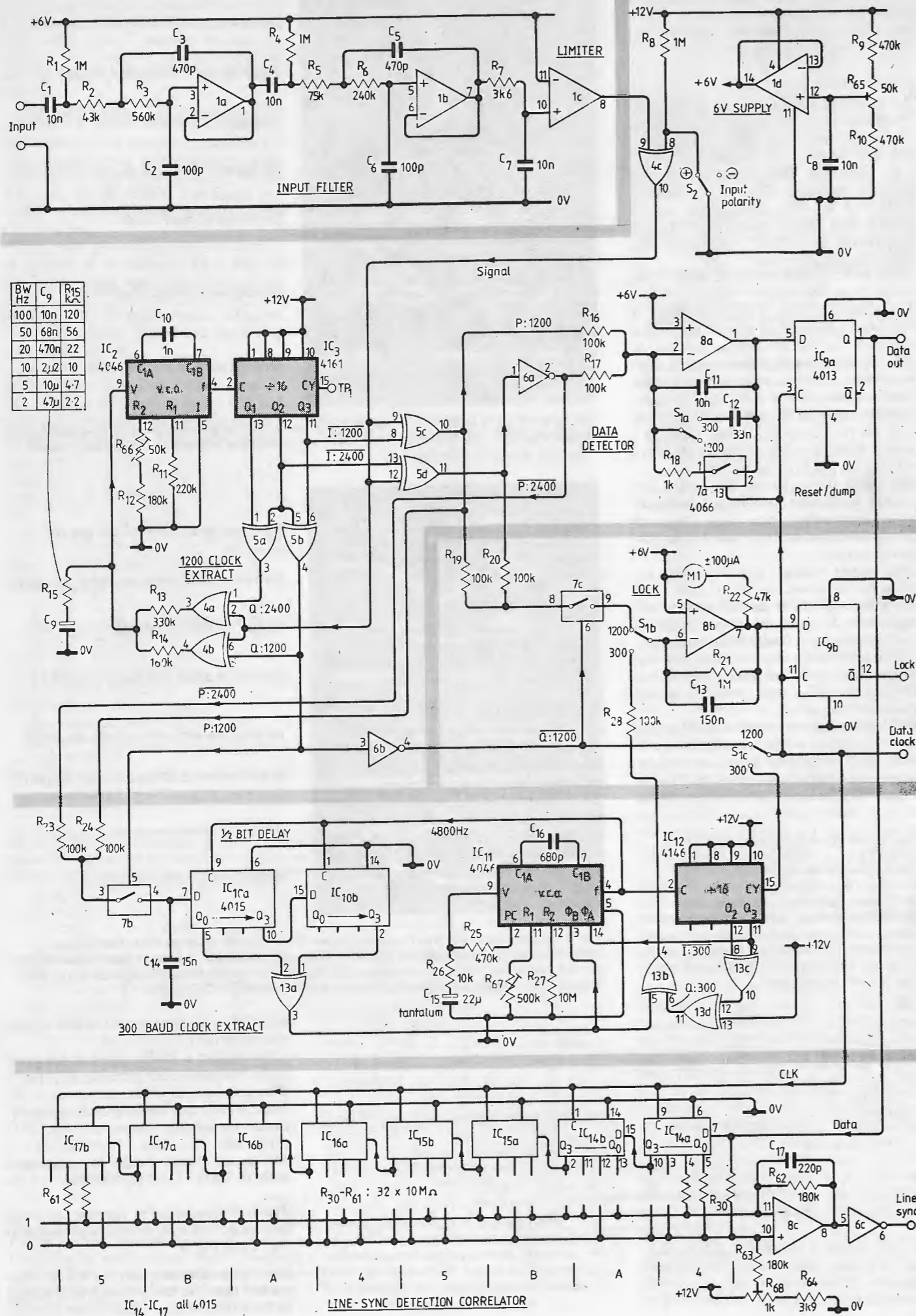
should be a momentary loss of lock-indication while the p.l.l. recovers.

Now inject a 150Hz signal at the input to the 300 baud clock extractor IC<sub>10</sub> pin 7. This simulates 101010.... reversals at 300 baud. Verify that the loop locks properly. Check for similar operation using 75Hz (11001100....), 50Hz (11100011100....), and so on. Lock should be maintained with 18.75Hz (1111111100000000....) input.

The system can now be checked out using test tapes, referring to the waveforms in Fig. 8 and Fig. 9.

**Line-sync detector:** play the c.c.d. camera test tape into the system, which should be set to 1200 baud. Observe the bit sync





BW Hz	C <sub>9</sub>	R <sub>15</sub>
100	10n	120
50	68n	56
20	470n	22
10	2.2μ	10
5	10μ	4.7
2	47μ	2.2

Fig. 11. The complete data demodulator. 1200 baud or 300 baud decoding is selected by S<sub>1</sub>. Op-amps are TL084 or equivalent, exclusive-or gates are all 4070 and inverters 4069. C<sub>2</sub>, C<sub>3</sub>, C<sub>5</sub>-C<sub>7</sub>, C<sub>10</sub>, and C<sub>16</sub> are polystyrene, 5% tolerance.

correlator output IC<sub>8</sub> pin 8. At the end of each line the 'peak' will be clearly visible, as will minor peaks. Now add noise to the input signal, sufficient to start creating data errors. The peak will be seen occasionally to drop by one or two votes as the noise is increased.

Adjust the threshold control R<sub>68</sub> so that the peak just crosses the output buffer threshold on 32, 31 and 30 votes, but not on 29. (This is easier to do than describe!) There is little point in going lower: at a bit-error rate of 1 in 12 the image would be useless yet there would still be an even chance of sync detection.

**Main p.l.l. loop bandwidth:** the aim in selecting the loop bandwidth is to minimise the combined effect of noise and tape-recorder wow. To achieve this, record about ten minutes of 2400Hz sinewave tone on the recorder. An initial loop bandwidth of 20Hz should be used. Replay the tape and, triggering off the p.l.l. output, estimate the peak-to-peak timing jitter T<sub>j</sub> seen on the input signal. Now input the 2400Hz tone directly from the audio oscillator. Gradually add noise until the data output at 1200 baud begins to give spurious zeros at a rate of about one per second. Measure the peak to peak jitter once again, T<sub>n</sub>. The optimum bandwidth is roughly equal to 20 × T<sub>j</sub>/T<sub>n</sub>. Use the



The amateur scientific satellite UOSAT, built at the University of Surrey, was launched by NASA on 6 October 1981. Its 515km-high polar orbit has a period of approximately 95 minutes. UOSAT's two main data beacons transmit on 145.825MHz and 435.025MHz; reception is possible during favourable passes on an ordinary amateur two-metre receiver with a quarter-wave whip aerial. A recorded news bulletin which also gives orbital predictions is available by telephone on Guildford (0483) 61202.

### Performance

If we define 'negligible errors' as an error rate of 1 in 10<sup>5</sup>, for a data rate of 1200 bit/s and bandwidth 3300Hz the 'audible' signal to noise ratio should exceed 7.3:1, a signal at the receiver r.f. input of about 0.2 μV into 50Ω. So far as it is possible to measure this with precision, the figure is borne out in practice.

Excessive noise such as vehicle ignition spikes are a nuisance on weak 1200 baud signals; since they are typically of 1ms duration they can obliterate a whole bit. No add-on decoder can cope with this situation - it is a receiver problem, created in the f.m. de-emphasis network, which stretches noise that in the i.f. bandwidth once had a harmless duration of a few tens of microseconds. The problem is much reduced by taking signals direct from the discriminator.

At 300 baud the expected 6dB noise performance improvement over 1200 baud operation is realised (though at a quarter of the information rate). The decoder is virtually immune to ignition spikes, since a 1ms pulse will only squash about one-third of a bit, leaving the other two-thirds unaffected (albeit 2dB more vulnerable to other noises). The bit sync extractor will work quite satisfactorily on signals of only one bit in eight, at signal-to-noise ratios too small to be useful.

It should be remarked that the decoded data can be further processed by computer before display by a v.d.u. or printer. 12-bit ASCII (for example) contains five or six redundant bits, yet an error in any of these will cause a misprint of the true character. In fact, of the 6336 bits in a telemetry frame only 765 are information-bearing. Post-detection processing could obviate the effect of errors in the other 5571 bits.

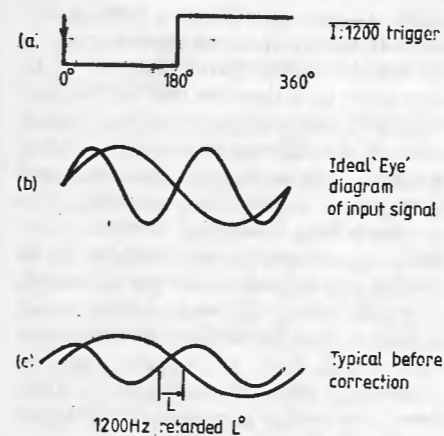
For displaying the image data on a television screen, a converter design is available from AMSAT-UK; printed circuit boards will be offered when the commissioning of the c.c.d. camera has been completed.

### References

1. AMSAT-UK, London E12 5EQ, England: UOSAT technical handbook, £3.00; 1200/300 baud data test tape, £3.50; c.c.d. camera simulation tape £3.50. Prices include packing and UK postage; overseas postage extra. A stamped addressed envelope should accompany enquiries. AMSAT-UK depends on donations.
2. Viterbi, A., "Principles of coherent communication". (McGraw-Hill, 1966).
3. Sweeting M. N., "UOSAT, an investigation into cost effective spacecraft engineering". *The Radio and Electronic Engineer* vol. 52 No. 8/9, August-September 1982 pp. 363-378. Whole issue devoted to UOSAT systems.
4. Mansi L. S. A. and Clarke R. A., "UOSAT telemetry system", *ibid* pp. 417-424.
5. Trayner C. P. and Jeans, T. G., "The development of a satellite-borne Earth imaging system for UOSAT", *ibid* pp. 398-402.

### Acknowledgements

Thanks are due to my colleague Philip Howarth for his comments and co-operation during the evolution of this decoder, to Steve Temple for image processing, the University of Surrey spacecraft team, Cambridge Consultants Ltd for their indulgence, and to UOSAT itself.



Angle L/45°	CR μs
0.1	1260
0.2	622
0.3	404
0.4	293
0.5	223
0.6	173
0.7	134
0.8	102
0.9	70

Fig. 10. At the input, the 1200Hz tone will probably be retarded with respect to the 2400Hz tone. A suitable CR phase-compensation network can be selected from the table. If instead the 1200Hz tone is found to be advanced, R and C should be interchanged to give a low-pass network. The left-hand column of the table would then have to be re-labelled "1-L/45°".

table to select new components for R<sub>15</sub> and C<sub>9</sub>. Replay the tape; peak to peak jitter should be less than about 40μs. If it is significantly larger, then the performance will be degraded.

### Phase problems

A correlation decoder is only as good as the assumptions implicit in its design. Most fundamentally, the input signal (limited) and the replicas should be identical. During the passage through the transmitter, receiver i.f., f.m. discriminator, de-emphasis, audio amplifier and possibly a tape recorder some relative phase shift of the 1200 and 2400Hz tones is inevitable. Full performance will only be realised if this is corrected.

To examine this, trigger the oscilloscope from the main p.l.l. 1:1200 signal, one sweep per bit, and examine the input signal where 0 and 1 tones will be seen superimposed. The ideal is depicted (noiseless) in Fig. 10b; note the equal amplitudes and the crossover exactly in the middle.

Most likely it will be found that the 1200Hz tone is of larger amplitude, and slightly retarded (Fig. 10c). This can usually be cured with a CR high pass network at the system input (Fig. 10d). Adjust components until the crossover sits on the zero line as in Fig. 10b. If the 1200Hz tone is advanced than an RC low-pass network should be used.

Any problems (such as ringing) should be investigated and the source located. It may be found advantageous to bypass the receiver's audio stages. Signals could also be taken directly from the f.m. discriminator and separately de-emphasised.



- 1 Theories and miracles
- 2 Electromagnetic analogy
- 3 Impact of the photon
- 4 A more realistic duality?
- 5 Quantization and quantization
- 6 Waves of improbability
- 7 Limitation of indeterminacy
- 8 Haziness and its applications
- 9 Doctrines of Copenhagen
- 10 Judgment and prognosis

# The doctrines of Copenhagen

*The doctrines (literally, teachings) of the Copenhagen School served to detach the modern quantum theory from common sense. The key to the aberration was the diehard refusal to admit that the traditional field-theory concept of continuity, on which the wave theories are based, is incompatible with discrete and discontinuous quanta, or particles.*

I have called much evidence in the *cause célèbre* of Physical Realism versus the Copenhagen School, but the evidence I have called is only a very small fraction of the physical evidence available. I have called no mathematical evidence at all, and indeed I have been careful to avoid mathematical argument of any kind. It is true, as Galileo said, that mathematics is the language of physics, but as far as I am concerned that is as far as it goes. It is not a particularly good language from a physicist's point of view and sometimes, as for instance when it is asked to handle simple matters like Fresnel diffraction or the length of the circumference of a planet's orbit, it can prove distinctly awkward and inelegant. Certainly Sir James Jeans was over-enthusiastic when he created God in his own image by claiming Him to have been a mathematician, but his attitude was perhaps not extreme for the 1930s era when most of the dubious doctrines were propounded. A prime difference between physics and mathematics is that physics is, or should be, subject to the strict discipline of the experimental method, whereas mathematics is not. The case that I must now summarize on behalf of the prosecution is a case in physics, not mathematics.

I believe there can be little doubt but that modern physics took a wrong turning in the 1930s. The outward and visible sign of the trouble was a denial of realism in natural philosophy and the espousal of a particular mysticism in its place. As far as I have been able to discern it was the result of a purely human whim, odd perhaps but understandable in that post-war period; for none of the reasons commonly advanced as causes of the philosophical revolution can stand up to a cold, scientific inquisition either together or severally. We can be reasonably sure, at any rate, that the real causes were not technical — it would therefore seem unprofitable to

hazard guesses as to *why* it all happened, which is a question more for a psychologist or comparative theologian than for a physicist. Closer to home we can examine *what* went wrong and how it went wrong, as steps from which we may obtain hints toward our aim of eventual counter-revolution — that is, of trying to put modern physics back onto the intellectually honest philosophical road.

I have said enough about the three really glaring philosophical crimes of the Copenhagen School, their confusions of matter-waves with probability theory, of meta-

by W. A. Scott Murray  
B.Sc., Ph.D.

physics with physics, and of measurement with fact, not to have to rediscuss them here. They were outstanding. However, there has always been a tendency to allocate to physical theories an importance of a more fundamental kind than they really warrant. One instance of this is the doctrinaire concept of the physical reality of the electromagnetic field. If we take note of what experiment actually says, as opposed to what we might prefer it to say, we find that light *in vacuo* is not influenced by electric or magnetic forces, and we may deduce from this that neither light waves nor photons can be of electromagnetic origin; it is *electrons* which are affected by such forces, not photons! The great Electromagnetic Theory appears as an analogy of Nature, sometimes as a very useful and accurate analogy, sometimes as a definite failure, but at no time does it seem to afford us a sound conceptual model of the working of the real, physical world.

Conceptual models are, in fact, of very great importance in physics. They enable one experience to be correlated with another so that the whole becomes greater than the sum of its parts and *scientific progress* is thereby made. Such models enable us to visualize the concepts within theories: the earth rotating, not the heavens; planetary electrons orbiting an atomic nucleus; the electron itself, a tiny torus of energy spinning mechanically at the speed of light. But during the 1930s there grew up a doctrine that the "master texts" of modern physics must lie in one or other of the differential equations of the quantum mechanics, and that one need never expect to be able to translate *those* equations into conceptual models — indeed, any attempt to do so tended to be derided as mechanistic and old-fashioned. (The real reason why such models cannot be built is that the mathematical concepts they would have to express, such as "symmetric and asymmetric wave functions", are neither physically plausible nor credible, in their application.)

In its most extreme form this doctrine of mathematical supremacy claims that the unprovable mathematics of the wave theory represents reality and that the physical world of our senses — and of our scientific instruments — is an illusion, a set of moving shadows on the wall of Plato's cave. Some people do actually believe this, but I assure you there is no experimental evidence of any kind to support it and it is the purest fancy. Its appeal is to the innate mysticism which haunts the depths of every human mind. In more practical form, but still fanciful, it becomes the doctrine of the New Mechanics, which says that the old-style mechanics of Newton and Galileo has been proved wrong and must be replaced by a new and correct mechanics, namely the "wave" or "quantum" mechanics. Two comments

may be offered in reply to that self-aggrandising claim. The first is that experiments in microphysics have *not* shown the older mechanics to be wrong, but merely to be incomplete — and correctably so. The second is that according to the proposed new mechanics the motion of the earth in its yearly journey around the sun is not controlled by a force of gravity (Newton) or by spacetime curvature (Einstein), but by a system of matter-waves of frequency "perhaps" —  $10^{66}$  cycles per second — yes, negative, going the opposite way! — which *maintains its coherence precisely all around the orbit*. You and I do not have to believe such far-fetched imaginings.

In a way it is to our advantage to have such an obvious example of failure of the wave theory in front of us, because it encourages us to go ahead and to question some of its other doctrines. I would like to spend a few moments now on the doctrine of the Observer. This arose, you may recall, in an attempt to evade the consequences *inter alia* of the infinite phase velocity of de Broglie or Schrodinger-type "matter-waves" by declaring them to be "unobservable". It was argued that a physicist should not ask questions about anything that he could not observe, and in due course the doctrine became enshrined as a Principle of modern physics: "No quantity which cannot be 'observed' is of any concern to science".

Now that statement has a fine, "fundamental" ring to it, but its true meaning was that the physicists of the Copenhagen School were preparing to shirk some of the duties of their profession. It leads straight to the following:

"An electron can be observed only when it interacts with matter or radiation: therefore it is of no concern to physics while it is in empty space".

The quotation is from Dirac, I believe; Bohr agreed with him. The argument was actually advanced to evade the problem of the indivisible electron in a "diffraction" experiment — ignore it and it may go away! A more conscientious view is that physics is the study of the workings of inanimate Nature, and that it should be concerned with *all physical phenomena whether we can observe them or not*. On this view the previous statement might read, with a more graceful humility:

"We infer that an electron in free translational motion obeys the conservation laws, although we accept that we cannot confirm experimentally that it does so". (In fact, of course, within certain limits we can.)

The real danger of this doctrine of the observer does not lie in its assertion of the irrelevance to physics of "unobservable" fundamentals such as, for example, the mechanical structure of an electron as a physical particle, although by categorising them as improper questions it has in practice inhibited discussion of them for fifty years. Much more serious philosophically is the assertion that since we cannot "observe" an electron (or any other particle) between its interactions with other particles or radiation, the electron *may go wherever it pleases* between such interactions. The argument runs that as we cannot observe it during the interval we

cannot prove that it obeys the conservation laws during the interval — or, more to the point, we cannot disprove the contrary, as in article 8 (page 62, April issue).

This has two very important illogical consequences. First, it renders the Copenhagen concepts of microphysics unimpeachable on internal grounds, because whenever these concepts call for violation of the conservation laws (as they frequently do) the defence has only to cry "unobservable" and the prosecution, however valid, must then collapse — *if* one accepts the magnificent, self-sustaining doctrine of the observer.

The second consequence is that the disciplines of physics and logic can now be bypassed with impunity: anybody henceforward can advance any "theory" without deference to physical discipline, except perhaps in the form of polite lip-service; for he has only to include one "unobservable" (or "virtual") quantity to ensure that his proposal cannot be disproved, either theoretically or experimentally. And if, like any other article of faith, it cannot be disproved, then one cannot in logic deny that it *might* be true. I am sure that my physicist colleagues will be able to call to mind at least half-a-dozen such pseudotheories in "modern physics" without assistance from me.

This variant of the observer doctrine is highly mystical, as it declares that a particle may pass from observed point A to observed point B without ever having to traverse the "unobservable" region in between. (The hard-headed layman will scarcely credit that this is the established doctrine of our modern physics, but I promise I'm telling the truth). The idea was first used publicly by Dirac in a mystical attempt to "explain" the positron (or positive electron), which did not require explanation anyway so much as acceptance. Dirac's proposal originated the "negative matter" concept which appears in some science fiction. (But if the mass of a positron were negative, as he was suggesting, then the energy released on "annihilation" would not be  $2mc^2$  but zero!). A less

startling application of the doctrine is found in the so-called tunnel effect, which is instructive enough to warrant an examination here. The story goes like this:

"Potential barriers", which prevent the free passage of electrons and other particles, seem to exist in a variety of situations in physics — surrounding the atomic nucleus, for example, or at a point of bad electrical contact between two conductors. A sheet of ordinary insulating material can be said to be a potential barrier in this sense. On the face of it no electron should be able to pass such a barrier unless it has enough energy — say several hundred electron-volts — to pass "over" it, as it were, by breaking down its insulation; yet experiments indicate that low-energy electrons, admittedly in very small numbers, do regularly appear at the far sides of such barriers. They must "tunnel" through them. How?

The wave theory waffles speciously about matter-waves which are in an "evanescent mode" while inside the barrier and which therefore (so conveniently!) are not *quite* like the waves of "real" particles; it does not explain how the electrons can appear at the far side of the barrier without having passed through it, but merely asserts that they do, "take it or leave it". We need not take it, because this is not just another Copenhagen *non-sequitur* but a simpler matter, more subtle and more significant. Consider the sand-fort built by children on the beach. Father fills it with sea-water for them from a bucket to within a few inches of its top. They paddle in it carefully for a while, without splashing. The energy of the water molecules is never sufficient to allow an appreciable number of them to pass over the barrier wall; yet half-an-hour later the outside of the wall is damp and the interior of the fort is empty. The principle is the same whether the process takes a microsecond or a thousand years.

The fallacy of the tunnel effect resides in the field-theory-type assumption that a potential barrier can properly be represented

*continued on page 65*

## A catalogue of error and failure

"Mathematics is the language of physics", but it is not subject to the discipline of verification by physical experiment and it can indulge its fancies *ad libitum* among the "unobservables". Realistic physics may not. Confusions of matter-waves with probability theory, of metaphysics with physics, and of measurement with fact, lie at the root of our serious problems today. Physical theories are not to be regarded as expressions of Revealed Truth but as analogies, sometimes useful and almost correct, sometimes so badly wrong as to be positively misleading. Conceptual models also are important in physics; an inability to support a credible conceptual model may be taken as an indication of the imminent failure of a theory. The doctrine of the Observer is particularly insidious because in fact, (if not explicitly) it removes from any new theory,

hypothesis or postulate the need to comply with physical discipline; a fine example of the kind of error which ensues is afforded by the conventional, artificial argument of the "tunnel effect". The most glaring of the philosophical errors of the Copenhagen School was concerned with self-justification and the "completeness" of its pet theory: it was claimed that because its own particular, illogical amalgam of matter-waves and statistics could not cope with individual microphysical particles, it was impossible that any other theory could. That was an excessive claim, for there are alternative possibilities of a less mystical and more realistic kind. If Copenhagen cannot deliver the goods, let us shop around for another paradigm that can. (See "The structure of scientific revolutions" by Thomas S. Kuhn, Chicago 1970.)











# COMMUNICATIONS

## Cellular satellite

While the UK is planning the introduction of terrestrial, mobile, cellular-radio systems for areas of high population density, NASA has been petitioning the FCC to reserve frequencies and define conditions for a satellite-assisted cellular system that would be capable of covering large, thinly-populated rural areas using frequencies between 800 and 900 MHz. NASA, in association with the Canadian government, plans to launch an experimental MSAT-X in 1987 using 821-825 MHz and 866-870 MHz. This would have a 10-metre u.h.f. aerial providing six spot beams, four directed at Canada and Alaska, two at the USA.

The satellite would augment urban terrestrial cellular-type systems, but it would be used only by mobiles outside the range of ground-based transmitters. The main data base in which mobile locations are stored would direct calls via satellite where appropriate. Terrestrial networks would have microwave feeder links with the satellite.

Japanese firms are beginning production of 900 MHz compact transceivers for the new "personal radio service", and one way and another it looks as though 800-900 MHz will soon be heavily used for mobile and personal radio systems.

## Microwave or u.h.f.?

Where does the "microwave" spectrum begin? It is agreed internationally that the boundary between v.h.f. and u.h.f. falls at 300 MHz (1-metre), but most of us would consider that only systems above 1000 MHz (1 GHz or 30 cm wavelength) should be described as microwave systems.

My reason for raising this subject is not purely academic: I notice that Marconi Communications Systems proclaimed February 11, 1983 as the Golden Jubilee of "the world's first commercial microwave communications link". This was the 15-mile link between the Vatican and the summer residence of Pope Pius XI at Castel Gandolfo, opened in February 1933, following several years of investigation by Marconi of duplex telephony systems working on wavelengths below one metre.

This pioneering work was undoubtedly important and a notable world "first". But it has always been my understanding that these systems used wavelengths of about 50 cm, in other words about 600 MHz. Hence my quibble about "microwave", particularly in view of the similar anniversary two years ago of the STC (ITT)

"microray" link across the English Channel. This was demonstrated in March 1931 using a wavelength of about 18 cm (about 1.7 GHz) - admittedly an "experimental" link. Perhaps, also, we should not forget that it was Barkhausen and Kurz whose work on electronic oscillators resulted in the early magnetrons that pioneered centimetric radio from about 1919. Nevertheless, in 1933 Marconi *did* achieve another "first" that proved of great importance in the study of v.h.f. and u.h.f. propagation. This was when he received 57 cm (525 MHz) transmissions at a distance of 168 miles and so conclusively demonstrated that tropospheric bending meant that signals on these frequencies were not, as previously believed, limited to the optical line-of-sight.

## Higher radar

Today, for some applications, interest has shifted from microwave to millimetric systems. The ability to achieve highly directional beams with aerials only a few inches in diameter is leading to the development of 94 GHz radar systems for missile guidance, although details of American and British systems tend to be restricted. The attraction of frequencies between about 80 and 110 GHz is that they fall in the low-attenuation "window", and can penetrate fog and dusty atmospheres. But the hardware is not easy or cheap.

The U.S. services are also currently making a great bid for "new technology" in the form of multi-mode airborne radar that could be used as an advanced all-weather guidance control ("Joint Stars") for both fighter aircraft and multiple missiles for attacking scattered armoured formations. However US Congress has denied further funds for the tactical communications system "Seek Talk" claiming it overlapped with the alternative multi-billion-dollar (JTIDS) (Joint Tactical Information Display System).

## Early digits

Most of us consider "spread-spectrum" techniques using digitally-encoded speech as one of the main communications development areas of the past few years. Spread-spectrum can offer anti-jamming, anti-interference, anti-intercept properties as well as selective addressing, accurate timing and high-resolution radar. It came as something of a shock, therefore, to read a recent account by William R. Bennett ("Secret telephony as a historical example

of spread-spectrum communications" *IEE Trans on Communications* Vol Com 31, No 1, January 1983) of the American wartime system known as "Green Hornet" or "Sig-saly" which provided secure digital speech over long-distance h.f. radio links during the latter part of World War 2. In this system, the bandwidth of the basic speech signal was first reduced by a vocoder, then the vocoder output was sampled and quantized to base six and a random, one-time, six-valued key stream added modulo six to obtain a public message that was conditionally secure against anyone not in possession of the key sources. The coding and decoding key sources consisted of identical disc records used once only and then destroyed. Each disc provided 15-minutes of speech and was delivered by courier. The terminals included a self-destruct feature and were installed at Washington DC, London, Paris and in North Africa, Hawaii, Australia and the Philippines. It was well known that German cryptanalysts succeeded in breaking the more conventional transatlantic scrambling system and listened to some of the Churchill/Roosevelt conversations, but Green Hornet was totally secure though clearly a costly system with its couriers and random, rather than pseudo-random, key streams.

Nevertheless Bennett shows that this 50 year-old system developed by Bell Telephone Laboratories achieved a remarkable string of "firsts": first unbreakable enciphered telephone; first quantized speech; first p.c.m. speech; first multilevel f.s.k.; first useful realisation of speech bandwidth compression; first use of f.s.k./f.d.m. as a viable transmission method over a fading medium; first use of multilevel "eye pattern" to adjust sampling intervals.

The vocoder was designed for male voices but the system coped with Eisenhower talking to his wife, though one notes from the transcripts that Winston Churchill was sometimes eager to hand over the phone to his secretary on the grounds of his increasing deafness!

# AMATEUR RADIO

## Hazards?

The National Radiological Protection Board has recently published a new Consultative Document containing proposals

# COMMENTARY

for common European limits for maximum exposure to non-ionizing radiation at e.l.f., r.f. and microwave frequencies. Comments have been invited by July 1, 1983.

Brian Johnson, G3LOX, has drawn attention to a potential fire hazard arising from the ageing of tightly-laced, multi-cable wiring harnesses using p.v.c.-insulated wires. It appears that after 15 to 20 years there is a tendency for the p.v.c. insulation to dry out, harden and become brittle with the result that the lacing may bite into the p.v.c. In this case, this caused a short-circuit of the 12-volt heater supply leads in a 1960s h.f. transceiver. This resulted in a small fire. Although this was quickly extinguished it could have been much more serious if the equipment had been unattended at the time. It is not uncommon practice, with older equipment, to switch on some time before it is used in order to overcome the initial, warm-up, frequency drift. There is still a lot of equipment in use over 15 years old.

## Man-made problems

It is not only in the UK that amateurs are finding that the problem of operating a radio station in a residential or urban area appears to be returning to the levels experienced in the days of v.h.f. television in the 1950s and 1960s, with all the consequent social problems that ensue. The poor electromagnetic characteristics of the combined television set and video recorder, of unit audio, the greater sensitivity of viewers in the face of the large number of cases of interference caused by c.b. transmitters (still not far short of a 1000 per week), leaky cable tv systems, the difficulty of obtaining planning permission for aerial masts in some areas; all such factors are contributing to a growing feeling of unease. A recent editorial in the ARRL journal *QST* comments: "increasingly radio amateurs find themselves embroiled in legal action arising from zoning and radio interference conflicts. Within the past decade the number of local statutes seeking to restrict our right to erect antennas - and in some cases to operate at all - has increased manifold."

Some American amateurs are finding it necessary to resort to "invisible" or hidden aerials. One technique is to use thin (24 to 26 gauge) enamelled wire supported by nylon kite string to provide "hard to see" aerials. An alternative technique is to use a wire concealed in an innocent-looking clothesline or in a flag pole, or to use a

television or v.h.f. aerial and its associated feeder cable as a long-wire aerial.

## Here and there

The Home Office is seeking to reduce the chances of successful impersonation of candidates taking the amateur Morse test, whereby an experienced operator presents himself as the candidate. In future all candidates will be required to show a valid passport or produce some other positive means of identification when taking the test. That some other curious practices are coming into the hobby became apparent in 1981 when a much-publicised "DX-pedition" by an American amateur to St Felix Island (during which 800 contacts were made) has since been proved to have been an elaborate spoof, although supported by a number of carefully forged documents. It is now known that the amateur concerned never set foot on the island but operated from the Chilean mainland.

The use of lead-acid car batteries to power 12V solid-state transceivers from a fixed location normally involves the risk of damage caused by acid-spillage, as well as being a rather messy business. Many of the problems may be overcome when the Chloride company markets their Exide Torquestarter range of batteries in the U.K. These batteries, with built-in carrying handle, are already marketed in Australia and South Africa but seem unlikely to be available in the U.K. until next year. They are totally sealed, do not require topping up and cannot spill or leak acid. They use a "recombination electrolyte" with no free acid and with the electrolyte held in sub-micron glass wool. Frank Harris, G4IEY has been using one acquired in Australia and finds it a satisfactory, house-trained power source at lower cost than a heavy current mains power supply unit. It is kept charged from a simple, low-cost mains charger.

There were about 45,000 amateur licences in force in the UK at the end of 1982, compared with about 18,500 at the end of 1972. Main increase has come in the form of Class B v.h.f. only licences which do not require a Morse test. Whereas in 1972 there were approximately four Class A licences to every one Class B, there now appear to be significantly more Class B than Class A, and the gap is widening all the time.

In South Africa it has been the practice to restrict new amateurs to the use of c.w. for the first year of operation (as was done in the UK some thirty years ago). This rule is now being amended so that an amateur

can use telephony after furnishing proof of establishing 200 contacts using Morse.

## In brief

The newsletter of the "DX-TV" group of enthusiasts interested in long-distance television reception has been revived by Dave Launder (18 Burnside Close, Barnet, Herts EN5 5LN) and a copy is available on request provided that a stamped addressed envelope is sent to him. Among the topics covered in the Winter issue are the problem of interference to Band 1 reception caused by visual display units, the question of the future use of Band 1 frequencies, auroral propagation and the use of monitor receivers with scanning facilities. . . . A terrestrial linear transposer repeater, similar to those used on amateur satellites, has been tried at Dunedin, New Zealand. It can cope with several transmissions simultaneously (but involves power sharing) and is reported to result in less flutter on f.m. signals as well as handling s.s.b. transmissions. . . . The number of stations equipped for 144MHz earth-moon-earth "moonbounce" operation is increasing with contacts being made by stations having output down to about 100 watts. Clive Penna, G3POI recently became the second station in England to "work all continents" on 144 MHz as a result of using this mode. . . . The FCC is considering the elimination of all licensing for c.b. operation. . . . Trans-equatorial propagation during August 1982 result in a 144MHz two-way contact between ZC4G0 in Cyprus and Z22JV in Harare, Zimbabwe, a distance of about 4000 miles. Power at the Cyprus end was only 60 watts. . . . A new beacon on 28.208MHz with the callsign WA1IOB is located at Marlborough, Mass., U.S.A. and has an output of 20 watts to an omni-directional aerial. . . . Mobile rallies in May include: Maidstone Y Sportscentre, Melrose Close, Cripple Street, Loose Road, Maidstone on May 1; Lincolnshire Showground, 4 miles north of Lincoln (A15) on May 8; Northern Mobile Rally, Great Yorkshire Showground, Harrogate and the Swindon rally at Park School, Marlowe Avenue, Swindon both on May 15; Welsh Amateur Mobile Rally, Memorial Hall, Barry on May 22; East Suffolk Wireless Revival, Civil Service Sports Ground, Bucklesham, near Ipswich on May 29. . . . The US Congress finally approved Treaty Document 97-21 at the end of 1982 thus making possible the ratification of the Radio Regulations as agreed at W.A.R.C. 1979.

PAT HAWKER, G3VA



# Semiconductor noise analyser

Measures voltage and current noise densities of devices from 0.1Hz in decades to 10KHz.

A brief summary of the noise sources is given here; for more detailed information the reader is referred to the literature contained in References 1 to 5. The three main sources are:

- Johnson noise, which arises from the thermal agitation of the charge carriers and leads to a noise voltage  $v_n = \sqrt{4kTBR}$  in a bandwidth B across resistance R;
- shot noise, which is brought about by the discrete nature of the charge carriers giving rise to a noise current  $i_n = \sqrt{2eIB}$  where e is the electronic charge and I is the mean current flow;
- flicker (1/f) noise, which dominates the low-frequency behaviour, its spectral noise density increasing as 1/f. It is largely due to surface defects in semiconductors.

In junction fets (Fig. 1(a)), there is Johnson noise in the resistive (source-drain) channel, of order  $\sqrt{4kT/g_m}$  per root Hertz. There will also be shot noise in the gate current,  $i_n = \sqrt{2eI_g}$ . Since  $I_g$  is typically a few pA,  $i_n$  is extremely small (0.01pA).

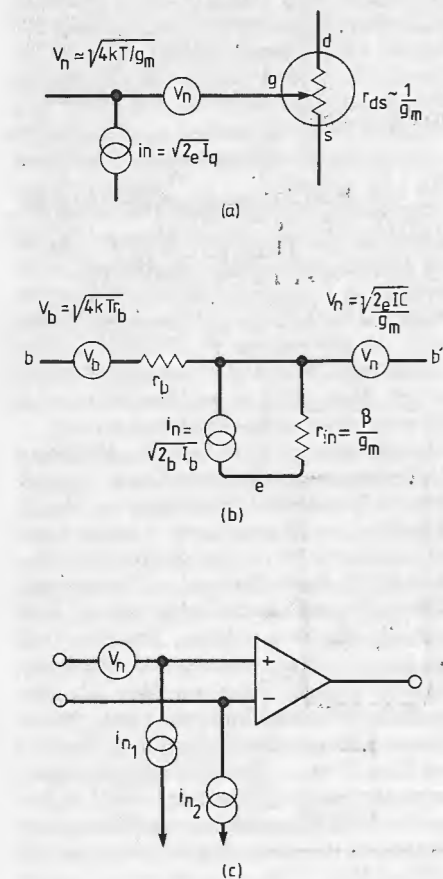


Fig. 1. Noise models of a fet(A), a bipolar transistor(b) and an op-am(c).

by Ian Marshall and John Brydon

In bipolar transistors (Fig. 1(b)), shot noise in the base current is developed across the input resistance ( $r_{in} = \beta/g_m = \beta r_e$ ). Shot noise in the collector current is represented by an equivalent noise voltage at the base ( $v_n = i_n/g_m$ ), and there is a further contribution from Johnson noise in the base resistance  $r_b$ . At low frequencies (<100Hz) flicker noise becomes significant.

All resistors generate Johnson noise, and, apart from wirewound and bulk metal types, there is an additional contribution arising from the granular nature of the

Both authors are in the Department of Medical Physics and Medical Engineering, Edinburgh Royal Infirmary.

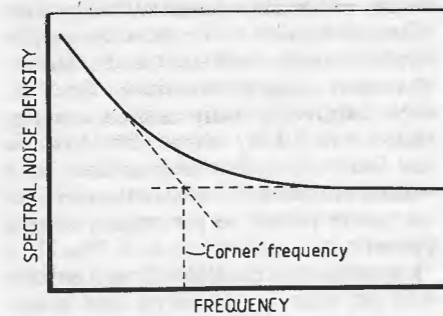


Fig. 2. Spectral noise density of typical op-amp.

resistive material. This last contribution is expressed in microvolts per volt applied across the resistor, in a specified bandwidth.<sup>6</sup>

## Noise characterization

The information required for a full noise characterization of a semiconductor device is the spectral density as a function of frequency. The total noise is then found by integration of the spectral density over the relevant bandwidth. Unfortunately, these figures are not always readily available from manufacturers' data sheets. For example, it is quite common for a noise figure (in dB) to be given without clearly specifying the bandwidth or source impedance appropriate to the measurement.

Furthermore, a broadband figure intended for audio-frequency users can be highly misleading for low frequency (<100Hz) design calculations, as Fig. 2 illustrates.

This shows the form of the voltage (or current) spectral noise density (s.n.d.) of a typical op-amp (see also Fig. 1(c)). At higher frequencies, the s.n.d. is independent of frequency and relatively low in amplitude; this is referred to as the "white noise" region. However, at lower frequencies the s.n.d. rises as the frequency decreases, following a 1/f law. The intersection of the asymptotes, the "corner" frequency, should usually fall below the signal frequency: otherwise noise can become troublesome in critical applications. The lower the s.n.d. amplitude in the "white noise" region, and the lower the corner frequency, the better the op-amp can perform as a low-level amplifier.

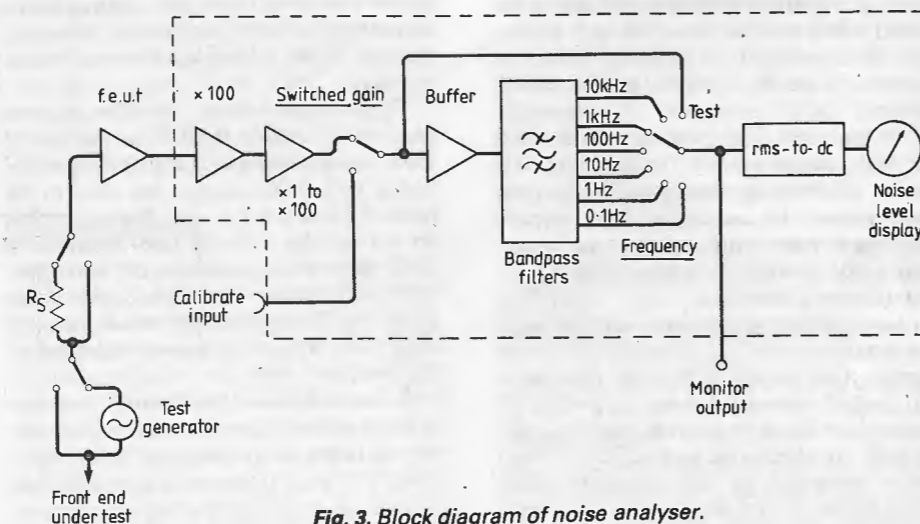


Fig. 3. Block diagram of noise analyser.

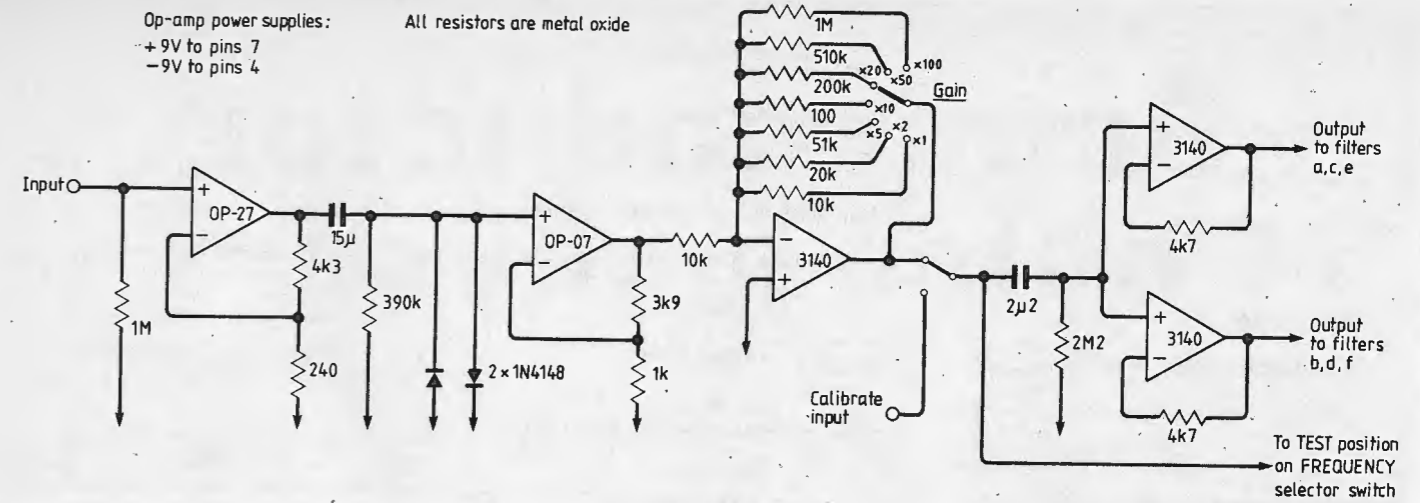


Fig. 4. Three-stage preamplifier, gain-switchable from 100 to 10,000.

the r.m.s.-to-d.c. converter, bypassing the filters. A monitor output socket is provided to enable viewing, with an oscilloscope, of the signal reaching the meter drive circuitry.

## Circuit description

**Preamplifier.** The first stage in Fig. 4 uses an OP-27 low-noise amplifier which, together with its input bias resistor, is the limiting factor in the measurement of test circuit noise. Its "white noise" voltage spectral density is typically  $3nV/\sqrt{Hz}$ , extending right down to 2.7 Hz, whilst the integrated low-frequency voltage noise from 0.1 to 10 Hz is typically 90nV. To this must be added the current noise developed across the input bias resistance ( $R_{in}$ ), and the thermal noise of the resistor itself. The 1MΩ resistor will normally be shunted by the (low) value of the output impedance of the front end; and the specification gives the equivalent noise for a grounded input.

In the second stage, a low-noise buffer with a gain of 5 is a.c.-coupled to the first stage and thus allows input offsets of up to  $\pm 250mV$  from the test circuit. The diodes limit excessive voltage swings and allow it to come out of saturation more quickly.

Type 3140 op-amps are used for the rest of the circuitry, the preamplifier being

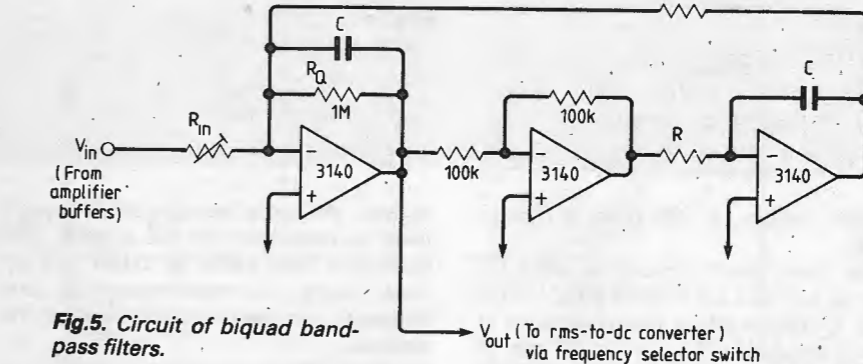


Fig. 5. Circuit of biquad band-pass filters.

Typical figures are  $20nV/\sqrt{Hz}$  and 30Hz (quoted by Signetics for the 741)<sup>7</sup> compared with  $3nV/\sqrt{Hz}$  and 2.7Hz (the manufacturer's noise voltage for the OP-27)<sup>8,9</sup>.

The noise analyser enables the s.n.d. to be measured at spot frequencies of 0.1Hz and decades to 10kHz. The circuit under test can be configured to allow its voltage noise and current noise to be studied separately.

Figure 3 shows the noise analysis system. Connected to the circuit under test, it consists of a low-noise preamplifier stage with fixed gain, followed by a switchable gain stage and a bank of band-pass filters feeding the r.m.s.-to-d.c. converter circuitry. The source resistance  $R_s$  may be shorted out to allow measurement of the front end noise voltage. With  $R_s$  in circuit, the resulting noise is the r.m.s. sum of voltage, current and resistor noise:

$$V_r^2 = V_n^2 + i_n^2 R_s^2 + V_{R_s}^2 \quad (1)$$

## Circuit function

The test circuit output is taken to a pre-amp, shown in Fig. 4, which has as its first stage an OP-27 ultra-low-noise op-amp. This is followed by two further gain stages and buffers, which altogether provide a voltage gain switchable from 100 to 10,000 in 1,2,5 steps.

The amplified noise "signal" from the front end is passed to six "biquad" band-pass filters, having centre frequencies of 0.1 Hz, 1Hz and successive decades to 10 kHz. The bandwidths and passband gains of the filters are scaled such that the gains

decrease as the square root of bandwidth; the requirement for equal amplitude outputs when fed with broadband white noise. To arrive at spectral noise density figures it is thus possible to divide all six outputs by the same constant and obtain directly readings in terms of  $nV/\sqrt{Hz}$ .

The filter outputs are selected as required by a rotary switch and applied to an r.m.s.-to-d.c. converter which drives a meter calibrated directly in spectral noise density, with a full scale of  $100\mu V/\sqrt{Hz}$ . This reading is divided by the gain switched in (between 1 and 100) to arrive at the noise present at the noise analyser input socket.

A seventh position (TEST) of the frequency selector switch allows the noise from the preamplifier to pass directly to

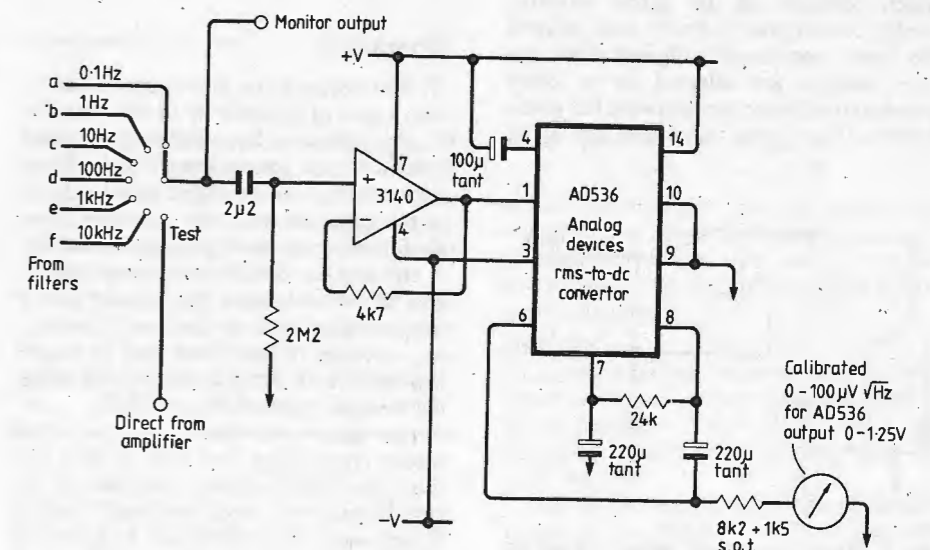


Fig. 6. R.m.s.-to-d.c. converter. Response is flat within 2% from 0.1Hz to 60kHz.



### Specification

Input range for full output	100µV-10mV rms	broadband noise
Maximum input offset	±250mV	
Input impedance	1MΩ hard-wired; normally shunted	see text
Output reading	Full scale 100µV/√Hz (r.m.s.)	Divide by gain setting
Switchable gain	1,2.5,10,20,50,100	
Calibration input	(unity gain)	a.c.-coupled
Measurement frequencies	0.1 Hz and decades to 10kHz TEST: Broadband (-3dB at 21 kHz) (Full scale 1.25V r.m.s. in this mode)	
Monitor output	Input to r.m.s.-to-d.c. convertor brought out	
Internal preamp noise, input grounded	8nV/√Hz 8nV/√Hz 20nV/√Hz 80nV/√Hz	100Hz 10Hz 1Hz 0.1Hz
Power supply	Two "PP9" batteries	Current drain ~ ±100mA

completed by an inverting stage with gain switchable from 1 to 100 in 1,2,5 steps, and dual buffers after further a.c.-coupling to remove any d.c. offsets.

**Bandpass filters.** The biquad type of filter allows the various parameters to be easily selected. Referring to Fig. 5, the centre frequency,  $\omega_0$ , is  $\omega_0 = 1/RC$ , the Q (-3dB) is  $R_Q/R$  and the passband gain G is  $R_Q/R_{in}$ . Each of the six filters comprises two integrators and an inverter in a loop, which combination behaves as a parallel tuned circuit with an artificial inductance L given by  $R^2C$ . The calculated Q ( $R_Q/R$ ) gives the -3dB bandwidth as  $f_0/Q$ , and the effective bandwidth for white noise is  $\pi/2$  times this (found by integration of the filter transfer function over all frequencies).<sup>10</sup>

Filter gains are set to assist in making spectral noise density measurements. The product of passband gain and square root of effective bandwidth is set at  $100\sqrt{\pi/2} = 125$  for all six filters.

**R.m.s.-to-d.c. converter.** This is based around an Analog Devices AD536 chip, which contains all the active circuitry needed to compute the true r.m.s. value of the input waveform<sup>11</sup>. Signals from the filter outputs are selected by a rotary switch and buffered before being fed to the AD536. The circuit used here has a flat

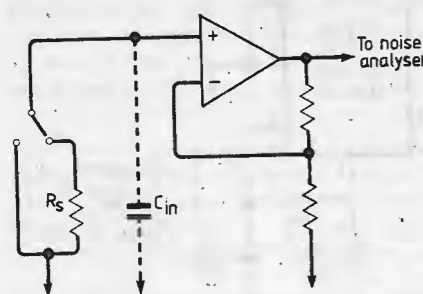


Fig. 7. Measuring noise density of an op-amp.

response within ± 2% from 0.1Hz to 60kHz.

The meter reads directly in  $\mu V/\sqrt{Hz}$  true r.m.s. with a full scale of  $100\mu V/\sqrt{Hz}$  r.m.s. Output levels at the frequencies of interest are divided by the overall gain of the circuit on test and the noise analyser switched-gain stage (1 to 100), to arrive at the equivalent input noise density of the device under test (usually expressed in  $nV/\sqrt{Hz}$  for voltage noise and  $pA/\sqrt{Hz}$  for current noise).

### Calibration

Each filter input resistor ( $R_{in}$  in Fig. 5) is made variable to aid calibration. If a broadband noise generator of known spectral noise density is available, then this can be used to set up the filters. Otherwise, the best method is to measure the -3dB points and then scale the peak gains accordingly: that is, Gain =  $100/\sqrt{B_{-3dB}}$ . The "CAL IN" socket provides buffered unity gain to the filters, the gain control being inoperative if this is selected.

### Operation

(1) The device to be investigated is set up with a gain of typically 20 to 100. (see Fig. 7). For op-amps, the non-inverting configuration is most convenient since the source resistance ( $R_s$ ) can be varied independently of the gain. As with any amplifier stage, the following precautions must be taken:

- the gain-bandwidth product of the device should not affect the selected gain at the measurement frequencies of interest;
- screening of the front end is recommended for all measurements, and essential for high values of  $R_s$  (>100kΩ);
- the input capacitance of the circuit layout (typically a few tens of pF) may limit the high-frequency response of the circuit under test when very high values of  $R_s$  are used. This effect can be tested by applying a sinusoidal signal in series with

$R_s$ , and sweeping through the frequency range to investigate the fall in gain. This factor can then either be taken into account during noise measurements, or measurements can be restricted to lower frequencies.

(2) Select  $R_s=0$  by shorting the source resistor to ground. This enables the input noise voltage to be measured.

(3) To avoid overloading the first stage of the noise analyser, check with an oscilloscope that the broadband noise output is in the range  $100\mu V-10mV$  (r.m.s.), and that the d.c. offset at the output is less than ±250mV.

(4) Connect the test circuit to the Input socket of the noise analyser, and switch the gain control to the minimum.

(5) At each selected frequency, the gain control is adjusted until the Monitor Output signal is in the range 1-4V pk-pk. It will then be necessary to wait about 20 seconds, the time constant of the AD536 circuit, before a reading can be taken. At 10Hz and below the reading will be seen to fluctuate due to the lower frequency components of the noise, and an average must be taken "by eye".

(6) This completes the readings necessary for an analysis of the noise voltage.

(7) Now switch in a source resistor  $R_s$  to obtain noise levels at least twice as large as before, and so enable separation of the voltage and current contributions: 100kΩ is suggested as an initial value. Devices with very low current noise (e.g. fet op-amps) will require larger values (but see precautions above regarding input capacitance). Wirewound resistors are recommended as they produce no significant component noise above the thermal contribution. The front end output offset should always be less than ±250mV, and it should be shielded to eliminate mains interference.

(8) Step 5 is repeated with  $R_s$  in circuit.

(9) Steps 7 and 8 can be repeated with different values of  $R_s$  as required.

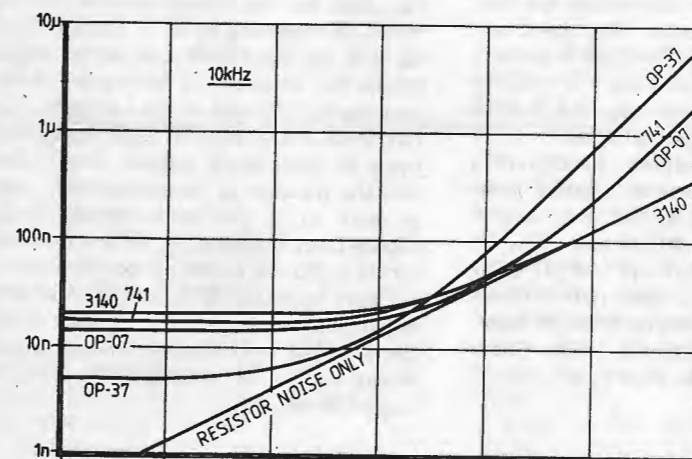
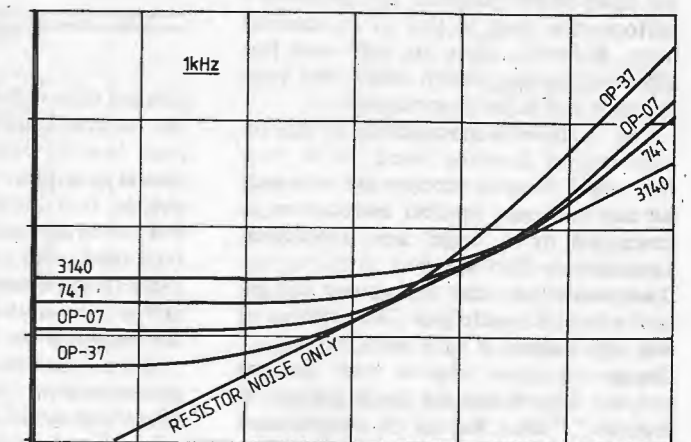
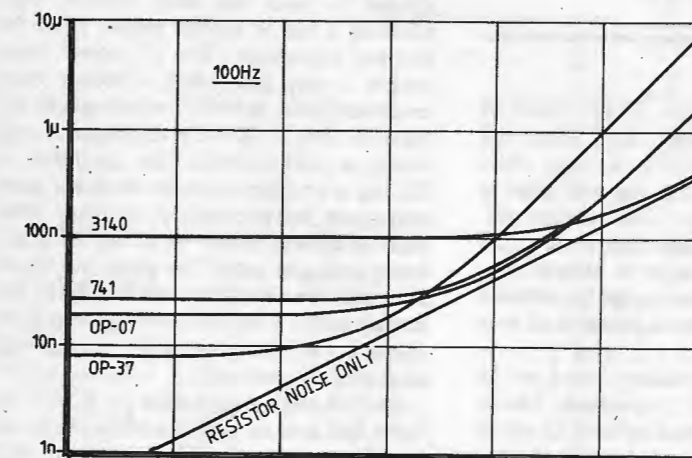
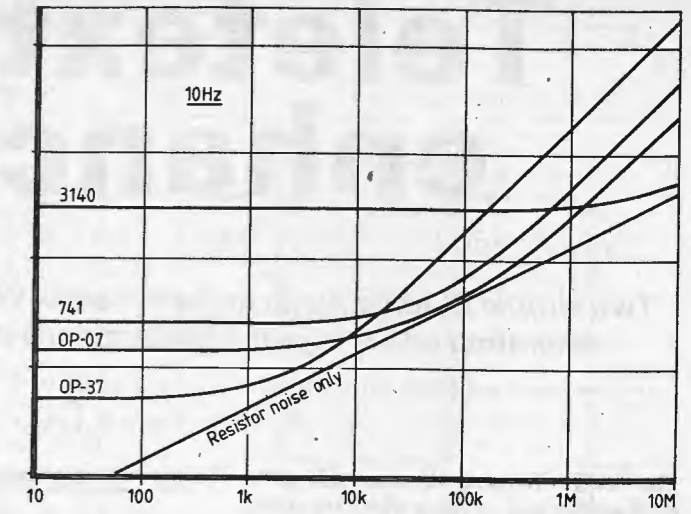
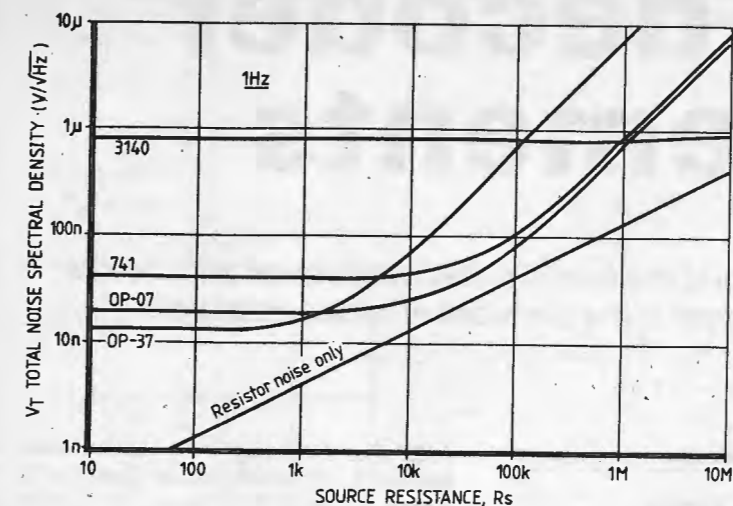


Fig. 8. Spectral noise densities of four op-amps and a resistor plotted at frequencies from 1Hz to 10kHz.

### Analysis

Each meter reading of spectral noise density is referred to the input of the device under test by division by the noise analyser switched gain (1 to 100) and by the test circuit gain itself. For an example, an OP-37 with circuit gain 50, noise analyser gain 100, gave a reading of  $20\mu V/\sqrt{Hz}$  at 10kHz.

$$V_n \text{ for OP-37 at } 10\text{kHz} =$$

$$\frac{20\mu V/\sqrt{Hz}}{50 \times 100} = 4nV/\sqrt{Hz}$$

This division is carried out on each of the readings made, to arrive at the spectral

noise densities. The results with  $R_s=0$  give the input noise voltage ( $v_n$ ) directly\*. With  $R_s$  switched in, the observed s.n.d. ( $v_T$ ) is the r.m.s. sum of the voltage noise ( $v_n$ ), the source noise ( $v_{R_s}$ ) and the current noise ( $i_n$ ) developed across  $R_s$ .

We take as the source noise ( $v_{R_s}$ ) the thermal noise of a resistance, namely  $\sqrt{4kTR_s}$  per root Hertz. At room temperature the following figures apply: 10k-ohm, 13nV/√Hz; 100k-ohm, 41nV/√Hz; 1M-ohm, 130nV/√Hz. Hence for a given

\*Neglecting the input noise of the noise analyser itself, which can be taken into account using the specification, if so desired, for critical measurements.

$R_s$  we perform the calculation

$$i_n = (v_T^2 - v_n^2 - v_{R_s}^2)^{1/2}/R_s$$

at each frequency to find the appropriate current noise spectral density.

Tabulated values of  $v_n$  and  $i_n$  may be plotted as in Fig. 1, or as described below under Results.

### Results

The noise analyser has been used to characterise several commonly-used operational amplifiers. Values of  $v_n$  and  $i_n$  are measured as a function of frequency for each device.

One of the most useful forms of presentation of the results is as log-log graphs showing total noise voltage ( $v_T$ ) versus

continued on page 47



# Teletext decoder enhancements

Two simple modifications to the Wireless World decoder are described which enhance its operation and brings the performance closer to the standard of commercial units.

The W.W. Teletext Decoder still gives good service and, to those who have added the subsequent modifications to provide the more recent facilities, has provided a performance close to that of commercial units. However, there are still some features outstanding which could ease page selection and improve acquisition.

Fig. 1 shows a modification to the remote control decoding board (W.W. May '79) which simply removes the necessity for any new page number selection to be preceded by a 'Page' key depression. Operation is then identical to that of the Time mode (in terms of numeric key entry) which is unaffected. The number of key depressions is thus reduced and, to change magazine number only involves two key depressions e.g. from 100 to 200 requires '2' then 'Reveal'. A 4 input nand gate detects the presence of the first digit (i.e. magazine number) of the new page number and simulates the reception of a 'Page' command by taking 314(6) high via 323(2) for the duration of the Data Allow clock pulse at 314(6). At the end of the pulse this condition is clocked into IC310 by the negative edge of the simulated e.o.c. pulse present at 323(6) which increments the write-address from 00 to 01. This is then followed by a pulse at 304(22) which clocks the received digit into IC312, and finally the e.o.c. pulse at 304(24) increments the write-address in the normal way. Thus reception of the first digit, say 1, gives rise to a display of P1XX and the next two digits are entered in the normal way. The two additional ICs required are IC322 (74LS20) and IC323 (74LS00) and are most conveniently mounted between the first two rows of ICs on the remote control board.

Fig. 2 shows a simple addition to the remote control decoding board which generates the following functions:-

(i) a 10 second cut-box pulse during row 0 following either any key depression (with the exception of TV) or upon detection of the selected (sub) page. This eases page selection since the normal tv picture may still be viewed whilst a new page or time is keyed in, and an indication is given when the page has been acquired. Also, by pressing 'Spare' for example, the status of the selected page, or real time clock, may be observed without intruding unduly into the tv picture.

(ii) a clear-page pulse is generated following the initial detection of a newly

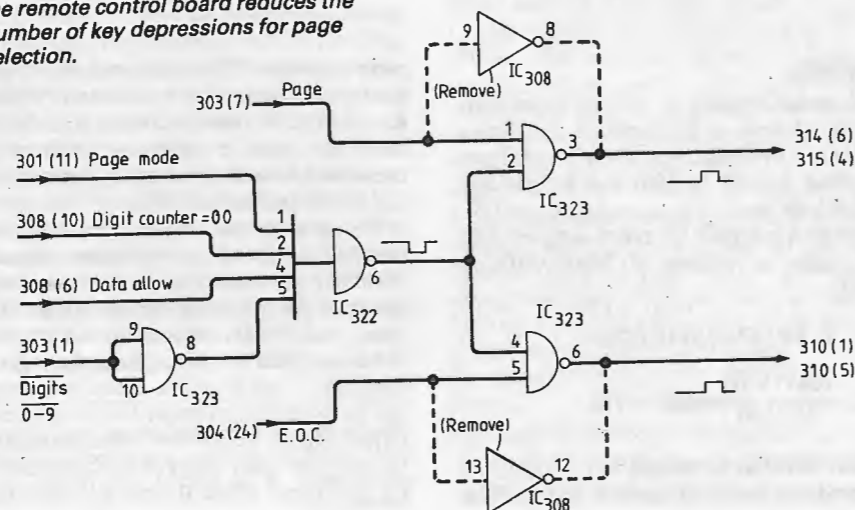
by K. Drew

selected time-coded page. This is based on the general requirement that when the page headers stop rolling a clear cycle should take place before the new page is written into memory. This strategy enables us to initiate a page clear cycle in the time mode which cannot be simply provided by the normal clear page bit detector and is most useful when being used as a sub-page selector.

(iii) a sound mute facility, based on the remote control 'Spare' command. This is gated with the 10 second pulse of (i) which minimises the risk of accidentally muting the sound as two key depressions are then required for this function. The 'Spare' key may then be labelled 'S' which is pressed once for 'Status' (revealing the cut-box information of (i)) and twice for 'Sound Mute' which has a toggling action.

Operation is as follows. Receipt of a correctly decoded remote control command triggers the 10 second timer output (403,6) via (305,3), (402,3) and (401,10). Triggering also occurs via (402,2) when (78,6) goes high (i.e. stop roll headers), indicating that the newly selected page/time has been detected. The timer output is gated with Row 0 at (402,10)

Fig. 1. Simple additions and removals from the remote control board reduces the number of key depressions for page selection.



and, after buffering, sets the 'cut-box' latch at (51,10) which enables Row 0 to be viewed in the tv/Text mode. Tr 1 is included to reset the timer period, thus allowing a full 10 second display from the last key depression. The 10 second timer output is also gated with a 100ms spare command pulse at (402,4) which clocks the bistable (404,3). A buffered output is provided at (401,15) with the capability of driving a t.t.l input. In the author's unit, two spare open collector invertors were used to drive a green 'Mute on' led and a spare analogue gate. The pulse at (401,6) also sets the clear page latch (78,10) following either a remote control Clear command at (307,9) or when (78,6) goes high as described previously.

If a 556 dual timer is used for IC403, the spare half may be usefully employed in the astable mode to provide a constant 1600 Hz clock for the remote control decoder board, as suggested by R. T. Russell. Note the use of the 4049B hex buffer which avoids the necessity of having to replace existing IC's 51 and 78 by 1.s types. The circuit of Fig 2 may be built on a small piece of vero board approx. 5cm x 10cm and the number of interconnection, may be kept to 13 (including power) if the diodes from IC20 and IC306 are mounted on the underside of their respective i.cs.

I have found the WW Teletext decoder a useful and challenging project and would like to thank J. F. Daniels for the original design and all the other authors for their contributions.

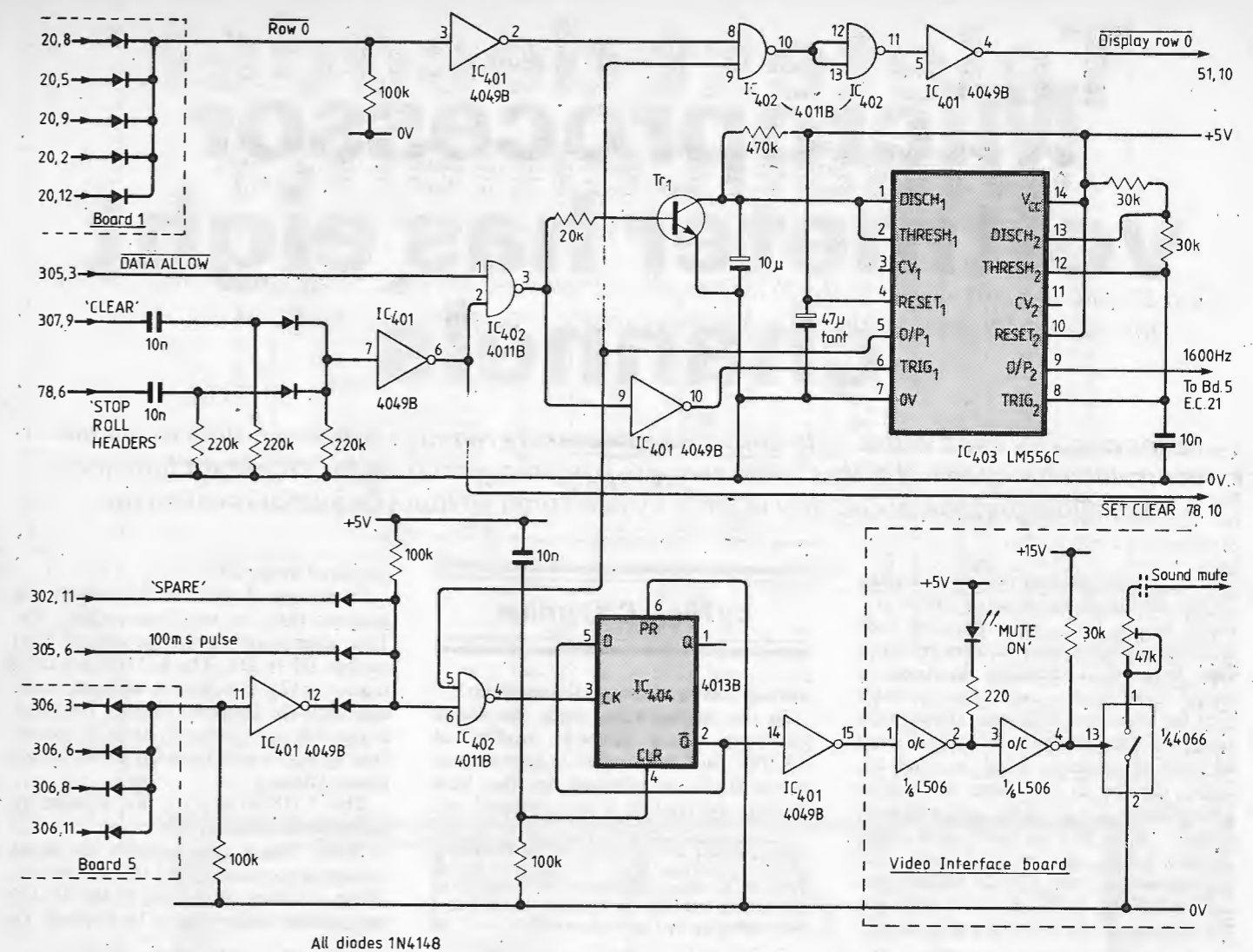


Fig. 2. On the same board as Fig. 1., these additions enable the viewing of the tv picture while the page is being selected; the generation of a clear-page pulse when the selected page is detected and the choice of a sound mute facility.

continued from page 45

source resistance ( $R_s$ ). One such graph is prepared for each measurement frequency, with  $v_T$  being calculated from the measured values of  $v_n$  and  $i_n$  using (1). Immediate comparisons are possible if the results from several devices are plotted on the same graph.

Reproduced below is a selection of graphs covering 1Hz to 10kHz, and comparing the following op-amps: 741, "Industry standard" bipolar input type. 3140, fet-input type. Very low current noise but poor voltage noise. OP-07, low-noise bipolar type. OP-37, ultra-low voltage noise, but poor current noise.

Using the graphs readily allows the best device to be chosen for a particular application (all other considerations being equal), or to see what trade-offs result from using alternative devices.

## Specimen graphs

At low frequencies, the OP-37 has the lowest noise (approximately 10nV/√Hz) for source resistances up to a few kilohms.

Above this, the OP-07 is best until around 100 kilohms, when the 741 almost matches its performance. For  $R_s$  greater than 1Megohm, the 3140 fet-input comes into its own, contributing the lowest noise (~800nV/√Hz).

There is less difference between the various devices at frequencies of 1kHz and above. The OP-37 still provides the best performance for  $R_s$  up to 20kΩ, after which the OP-07 and 741 are about equally good up to  $R_s=200kΩ$ . For source resistance greater than a few hundred kilohms, the 3140 once again becomes the best device, adding little significant noise to the thermal noise of the source itself.

At 10kHz, the OP-37 is still the lowest noise op-amp studied for  $R_s$  less than 20kΩ. The other three devices are all comparable for  $R_s$  up to 200kΩ, above which the fet-input of the 3140 once again provides the best performance.

For applications requiring low source resistances, say less than 10kΩ, the OP-37 can be used to advantage. For source resistances higher than a few 100kΩ, the 3140 has the best noise characteristic because of its fet input. Overall, the 741 performs

very well, being almost as good as the OP-07 "low-noise" op-amp except at low frequencies.

## References

1. Fisher, P. S. Electronic Noise. Clarendon Laboratory, University of Oxford (unpublished manuscript). January 1979.
2. Sherrin, J. Noise Specs Confusing? National Semiconductor Application Note 104, May 1974.
3. Soderquist, D. Minimization of Noise in op amp applications. Precision Monolithics Inc. Application Note 15, November 1979.
4. Bernardi, T. S. Designing low noise op-amp based systems. *Electronic Engineering*, July/August 1982.
5. Foord, A. Introduction to low-noise amplifier design. *Wireless World*, April 1982.
6. Instrumentation Amplifier-Resistor testing. *Electronic Design*, 10 June 1982.
7. 741 op-amp. Signetics Analogue Databook.
8. OP-27/OP-37 Data Sheet. Precision Monolithics Inc.
9. Op Amps tackle noise. *Electronic Design*, 20 Dec 1980.
10. Smith, K. L. Noise-confusion in more ways than one. Appendix B, *Wireless World*, April 1975.
11. AD536 Data Sheet. Analog Devices.







# Assembly language programming

Before writing assembly-language programs one must understand microprocessor instructions; but only a few of these need be learnt to start programming, as Bob Coates illustrates in his third tutorial.

by R. F. Coates

This section looks at 6805 microprocessor instructions and how they are represented. Each assembly-language instruction consists of an operation-code mnemonic, of which there are 61, which produces one machine-code byte when assembled. The instruction indicates the addressing mode to be used (which modifies the op-code byte) and may also require an operand giving either data or an address.

A one or two-byte data or address in the operand is added to the op-code to complete the instruction hence each assembled instruction will be between one and three bytes long. To be able to program in assembly language one has to learn how to use the various instructions and this is best done by trying them out in small programs on the Picotutor and seeing how the operations modify data. But it is not essential that you become familiar with every instruction before starting out; programs can be written using a small proportion of the instructions. Some instructions are used more than others, and some hardly at all. Emphasis here is placed on the most commonly used instructions; instruction tables published in the April issue of *Wireless World* or by Motorola in the MC68705P3 data sheet and MC68705P3(AC1) reference card are needed. Instruction functions fall into one of five categories.

register/memory read/modify/write control  
branch  
bit manipulation

## Register/memory instructions

Instructions used in our previous example, LDA, STA, ADD and JMP, all fall into this category. With the exception of store and jump-type instructions, six different addressing modes can be used with each instruction mnemonic. The load accumulator instruction LDA is used here to demonstrate addressing modes; the principles are the same for all the other instructions.

Each addressing mode in the table has three columns indicating the op-code, which is machine code of the instruction mnemonic for the addressing mode specified, the number of bytes required (one for the op-code, any others for the

operand) and the number of microprocessor clock cycles required to carry out the instruction. The six versions of LDA are as follows.

**Immediate.** Here the accumulator is loaded with a specified data byte which will follow the op-code byte in the machine-code instruction. This is written in assembly language as LDA # $\$F$ , the hash sign in the operand field indicating immediate addressing mode and the dollar sign indicating that the data byte 2F is hexadecimal. When assembled the instruction reads

A62F LDA # $\$2F$

After the instruction is carried out the accumulator will contain 2F. With the addition of a software interrupt instruction, SWI, this program can be tried out on the Picotutor (use addresses between 24 and 6F).

A62F LDA # $\$2F$   
83 SW1

The interrupt instruction SWI passes control back to the monitor when the program run is completed in the same way as the JMP 80 instruction used earlier but it also places the contents of the processor A and X registers, condition codes and the address of the instruction following SWI in a temporary store called the stack. This information may then be retrieved and displayed on the Picotutor using the register function (reg) which is especially useful for program debugging since SWI interrupts may be placed anywhere in the program allowing the register status to be examined at each point.

Pressing the register key after such a break has passed control back to the monitor will display the condition codes as five bits (H, I, N, Z and C). If the letter is displayed the bit is set (1); if a dash is displayed on the bottom line the bit is clear (0). Pressing the step-up key will now result in the accumulator being displayed and pressing it again will display the index

register indicated by letter H. Another step up will show the three-digit program counter value indicating the address of the instruction following the SWI interrupt which caused the break. A final step up returns the stack-pointer position which indicates the position before the interrupt was encountered\*. This is because the stack pointer is moved down when the SWI interrupt stacks the c.p.u. registers. Pressing any key will return the dash prompt.

**Direct.** This version of the LDA instruction loads the accumulator with the contents of a memory location between 000 and 0FF as in

B680 LDA  $\$80$

In this example the accumulator is loaded with the contents of address 80. Again two bytes are required, one for the op-code and one for the two hexadecimal digits of the page-zero address. The absence of a hash symbol or X in the operand field indicates that direct (or extended) addressing is to be used. Try running this instruction followed by SWI on the Picotutor, and the accumulator should be loaded with CC which is part of the eeprom monitor program.

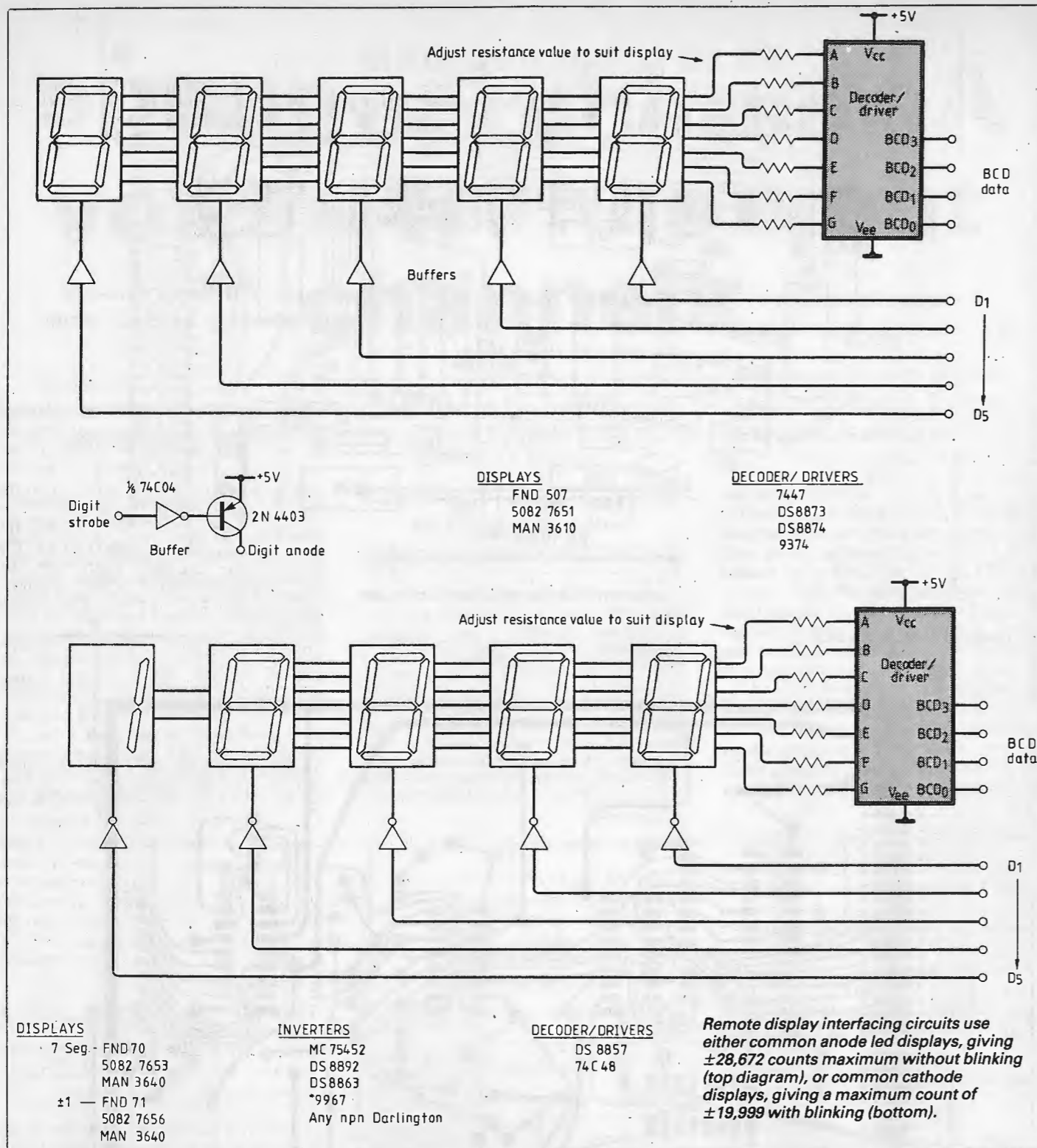
**Extended.** This is similar to direct addressing except that two address bytes are required to allow access to any location in the full memory map of 000 to 7FF, e.g.

C60080 LDA  $\$80$

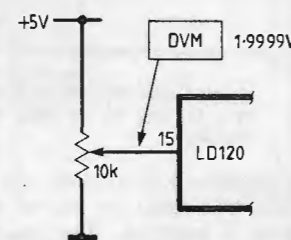
is the same instruction as in the direct-mode example above. As extended-mode addressing expects two bytes following the op-code byte, the full address must be specified. The assembly-language mnemonic and address are written in the same way for both direct and extended modes.

A computer assembler will look at the source code instruction to see first if direct addressing can be used. If it cannot, i.e. the address is above 0FF, extended-mode addressing will be used. The same principle applies when assembling by hand.

\*If Picotutor does not display the stack pointer but returns the dash prompt after the program counter you have an early version of the software which only displays registers if SWI is not placed in a subroutine.



shorting link removed and the circuit as shown below, adjust the voltage on pin 15 to as close to 1.9999V as possible (the loan of a d.v.m. will help here) and adjust the 10k $\Omega$  preset to give the same reading on the remote display. If there is access to a scope, check the clock frequency, which should be approximately 163kHz, and also the waveforms on pin 6 of IC<sub>5</sub> and pin 16 of IC<sub>3</sub>, should be as shown.



The d.v.m. board is now ready for interfacing to the Z8.

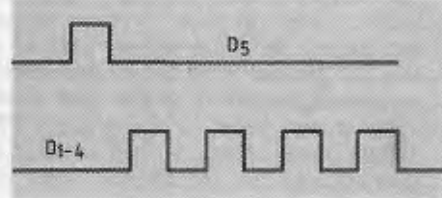
The appropriate Basic program can now be entered with the machine-code program, which when run will display the

voltage appearing on the selected input if outside the preset values.

## Applications

The application shown here uses the d.v.m. board to monitor eight channels, each given a fixed minimum and maximum in the program. This could be modified to allow the user to input the values when the program is executed. When a reading falls out of range, the minimum and maximum values are displayed on the terminal. An additional program for dialling up on a telephone line when the minimum and maximum values are exceeded could be incorporated, to send an alarm message to a host computer.

continued on page 58





# Forth computer

*With applications ranging from video games to research and process control this microcomputer combines the powers of Forth, a fast, threaded computer language/operating system, with an eight-bit processor having 16 bit internal architecture.*

Today a home or personal computer can more than match at lower cost the performance of a typical mid-1970s minicomputer. Then a minicomputer costing tens of thousands of pounds would have a memory of less than 32K words with a cycle time of about a microsecond and a Teletype terminal capable of ten characters per second. Disc-drive memory was rare and expensive and double-precision/float-ing-point instructions would be executed by software. This microcomputer design costing a few hundred pounds has a 48K read/write memory operating at 666ns, further 8Kbyte rom containing the operating system, a 100-character-per-second terminal and a 200Kbyte disc memory.

	Forth computer	1970s minicomputer
Memory size	56K (48K ram, 8K rom)	64K ram
Memory speed	666ns	960ns
C.p.u. 16-bit add time	4.6µs	1.96µs
Output peripherals	composite video RS232 8 ports	64 ports
Input peripherals	parallel keyboard RS232 8 ports	standard peripherals
Disc storage	200Kbyte/drive	5Mbyte/drive
Access time	333ms	35ms
Cost	£100-500	£10,000-100,000

mitment while the rest of the system was unproven.

## Language/operating-system choice

The most popular operating system and language in the microcomputer field are CP/M and Basic respectively. Although Basic is readily available, in for example the INS8298 rom for the 8080, I was not prepared to use the language for reasons too many to mention but summed up by Dijkstra<sup>1</sup> who said "It is practically impossible to teach good programming to students that have had prior exposure to Basic." He seems equally impressed by most other languages, including Fortran, PL/I, Cobol, APL and Ada.

My first choice would have been Pascal but for this application Forth appeared to be the best choice. Besides being a language, Forth forms the basis of an operat-

by Brian Woodroffe

ing system and the Forth Interest Group<sup>2</sup> have made FIG Forth a public-domain product. The language is efficient, which is important when using a processor with a limited address range of 64K and it is interactive, avoiding the traps of edit-compile/load-run phases which are a left over of batch-processing systems. FIG Forth is a single-operator, single-task operating system but it has 'hooks' which allow it to be expanded into a multi-operator, multi-task system. It promotes good programming habits in that its programs are structured in blocks and work from top to bottom.

The language has drawbacks - unfamiliar notation, no file structure and poor data structures - but it is readily available and has more advantages than disadvantages. The power and flexibility in Forth allows the operator to expand the language and add any desired feature, and a new version of Forth may be placed on disc by editing and compiled using the resident language to give a completely user-defined version.

## Forth

Details of Forth and how it operates are available (ref. 3) and the following is a brief summary. Forth uses 16bit arithmetic and reverse Polish notation, which implies the use of a data stack. Control between executable statements, referred to

as a word, is accomplished by the use of indirect-threaded code and a control stack which is separate from the data stack. Features of Forth not found in Basic are virtual memory, compiling, extensibility and vocabularies. These features make better use of the processor resources and a program written in Forth will use less memory and run faster than its Basic equivalent, often by a factor of ten or more in both cases. As Forth compiles the 'English' program into a form readable by the processor (threaded code) the operating speed will always be faster than when using Basic which stores the program as text. Memory space taken up by compiled code is much smaller than would be taken up by its equivalent in English text so larger programs are possible in a limited memory space.

The virtual-memory feature allows the programmer to treat disc storage as processor memory so memory space is not limited by the processor but by the disc. Data is moved to and from the disc by the operating system so the programmer need not be concerned with the problem of mapping the disc memory. Vocabularies allow the programmer to keep different application programs in memory which are physically concurrent but logically separate. Further, there are features found in Forth that are not generally available in Basic such as recursion, extensibility and self-compiling. Recursion allows a portion of the code to use itself more than once at the same time and extensibility is the ability of Forth to define new control words.

## Memory choice

Before selecting a processor for the computer, another design decision has to be made. This concerns memory, in particular what type and how much to use. In time, memory will always become too small and too slow because of the programmer's rising expectations of what the computer should do<sup>4</sup>, so 4116 dynamic rams were chosen because they offer the best performance in terms of cost, size and power consumption when compared with static rams such as the 2114. This decision does present some problems in that refresh circuits and three-rail supplies are required. Because dynamic rams are prone to 'soft' errors, parity-checking circuits are included in the design.

## Processor choice

The Z80 microprocessor contains dynamic ram refresh circuits and CP/M is written in

**Table 1. A program for adding two 16bit numbers on the Picotutor using assembly-language mnemonics devised for the 6805 microprocessor.**

030	B651	LDA	\$51	Add least sig. bytes of the 2 numbers, result in 55.
032	BB53	ADD	\$53	
034	B755	STA	\$55	
036	B650	LDA	\$50	Add most sig. bytes of the 2 numbers and carry from addition of least sig., result in 54.
038	B952	ADC	\$52	
03A	B754	STA	\$54	
03C	83	SWI		Return to monitor.

**Table 2. Program for subtracting two 16bit numbers using 6805 mnemonics may be expanded to subtract numbers of any length in multiples of eight bits.**

030	B651	LDA	\$51	Subtract least sig. bytes of the 2 numbers, result in 55.
032	B053	SUB	\$53	
034	B755	STA	\$55	
036	B650	LDA	\$50	Subtract most sig. bytes of the 2 numbers and borrow from 1st operation, result in 54.
038	B252	SBC	\$52	
03A	B754	STA	\$54	
03C	83	SWI		Return to monitor.

Use direct mode wherever possible because it uses one less byte of memory space. In the previous example direct mode would be used although extended mode would work but with this example extended mode must be used

C607FE \$7FE

Try running this (followed by SWI) and it will load the accumulator with 02, again part of the monitor program.

Three remaining addressing modes are all indexed types so to demonstrate their use with LDA we must first load the index register, X, using LDX. This operates in exactly the same way as LDA so

AE80 LDX #\$80

will load the index register with 80. The operand for indexed addressing modes is written as (offset), X where 'X' indicates indexed addressing; which of the three variants is used is determined by the size of the offset. If no offset is required this assembles as

F6 LDA 0,X

Indexed, no-offset mode requires only the op-code byte, the effective address of the data or argument being held in the 8bit index register. This mode gives access to the first 256 memory locations from 000 to 0FF. It is often used to move a pointer through a table or to hold the address of a frequently used i/o location. Run this example,

AE80 LDX #\$80  
F6 LDA 0,X  
83 SWI

and then examine the registers. Index register X should contain 80 and the accumulator CC, the contents of memory location 80.

In the indexed, 8bit-offset mode the effective address is the sum of the contents of the index register and the offset byte following the op-code. This allows access to the first 511 memory locations from 000 to 0FE and two bytes are required for each instruction, e.g.

E601 LDA 1,X

The offset may be specified in the operand field as a decimal (1 to 255) or in hexadecimal (01 to FF). A computer assembler

automatically converts decimal numbers to hexadecimal hence either of the following may be used

E6FF LDA 255,X  
or E6FF LDA \$FF,X

Try this example.

AE00 LDX #0  
E680 LDA \$80,X  
83 SWI

It should give the same results as the previous example.

The indexed, 16bit-offset mode operates in a similar way to the 8bit-offset one but two extra bytes are required after the op-code to contain the 16bit offset, making three-bytes. A 16bit offset allows access to any location in the memory, e.g.

AE85 LDX #\$85  
D60700 LDA \$700,X  
83 SWI

should load the accumulator with AE, the contents of memory location 700+85 or 785 which is in the mask-programmed rom of the 68705P3 (programmed by the manufacturer).

Which of the three indexed modes to be used is not indicated directly in the assembly-language source code; which is used is determined by the offset size. A computer assembler will choose the mode which requires the least number of bytes and this applies when assembling by hand. The main use of the two indexed-with-offset addressing modes is when scanning tables of data in memory. Normally the base address of the table is the value of the offset and initially, zero is loaded into the index register to point to the first value in the table. If the index register is incremented repeatedly, access can be gained to the successive values of tables up to 256byte long. This now covers the six addressing modes that can be used with LDA.

## Other instructions

The same basic principles apply to other instructions in section one of the instruction set, so for the other instructions we will just use one of the addressing modes to demonstrate their operation. LDX, the instruction for loading the index register, has already been covered.

Store accumulator, STA. This stores the

**Table 3. 16bit addition and subtraction programs for 6800/6809 microprocessors. By coincidence, machine code for direct addressing on the 6805 processor is the same as for extended addressing on the 6800/6809 types.**

16bit addition			
1030	B61051	LDA	\$1051
1033	BB1053	ADDA	\$1053
1036	B71055	STAA	\$1055
1039	B61050	LDA	\$1050
103C	B91052	ADCA	\$1052
103F	B71054	STAA	\$1054
1042	7E7D97	JMP	START

16bit subtraction			
1030	B61051	LDA	\$1051
1033	B01053	SUBA	\$1053
1036	B71055	STAA	\$1055
1039	B61050	LDA	\$1050
103C	B21052	SBCA	\$1052
103F	B71054	STAA	\$1054
1042	7E7D97	JMP	START

**Table 4. 16bit addition and subtraction programs written in assembly language for the Z80 microprocessor. Add and subtract instructions cannot operate on memory directly so the HL register pair is used as a pointer.**

16bit addition			
2000	215320	LD	HL,\$2053
2003	3A5120	LD	A,(\$2051)
2006	86	ADD	A,(HL)
2007	325520	LD	(\$2055),A
200A	2B	DEC	HL
200B	3A5020	LD	A,(\$2050)
200E	8E	ADC	A,(HL)
200F	325420	LD	(\$2054),A
2012	C30000	JP	START

16bit subtraction			
2000	215320	LD	HL,\$2053
2003	3A5120	LD	A,(\$2051)
2006	96	SUB	(HL)
2007	325520	LD	(\$2055),A
200A	2B	DEC	HL
200B	3A5020	LD	A,(\$2050)
200E	9E	SBC	A,(HL)
200F	325420	LD	(\$2054),A
2012	C30000	JMP	START

contents of the accumulator in a memory location dictated by the addressing mode used, e.g.

AE40 LDX #\$40  
E707 STA \$7,X

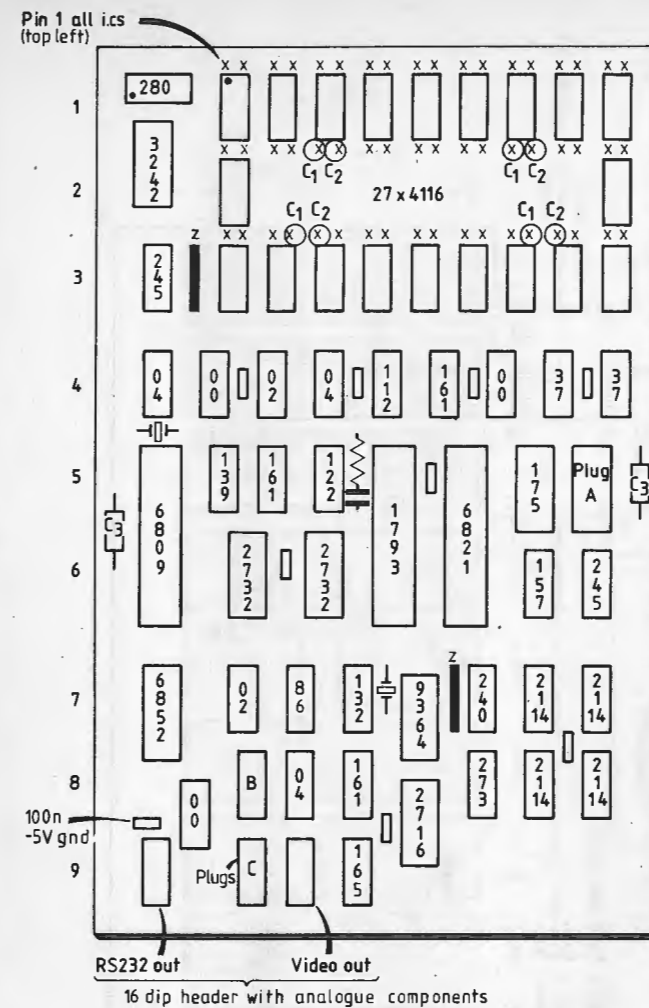
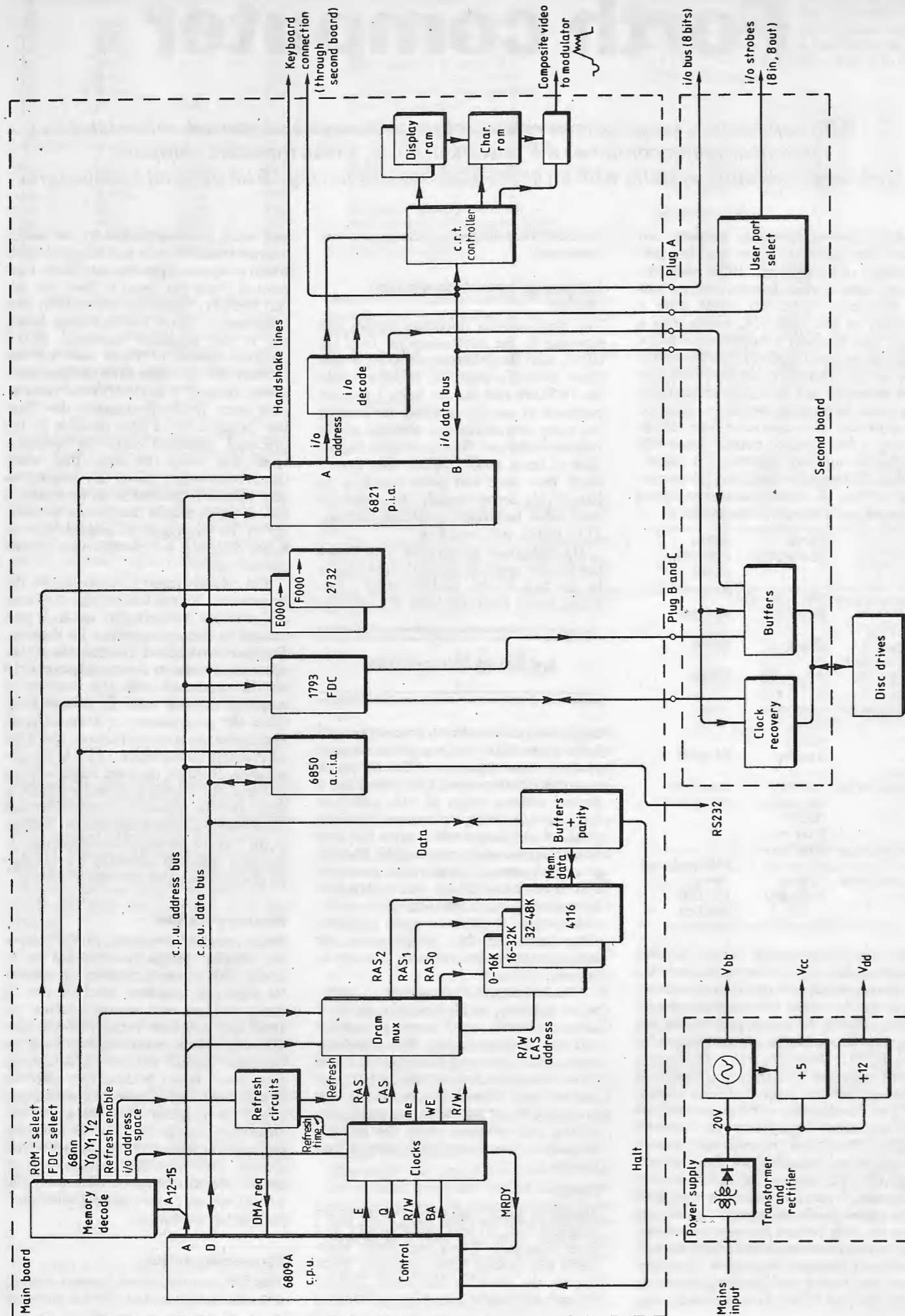
will store the accumulator contents in address location 40+7. The only exception is that immediate addressing cannot be used as this would imply storing in the byte following the op-code which is part of the program.

Store index register, STX. Identical to STA but used for the index register.

Add memory to accumulator, ADD. Contents of the accumulator are added to a memory location (or an immediate byte) according to the addressing mode, placing the result in the accumulator. If the result is greater than 8bit the carry bit (C) in the condition-code register (CCR) is set, if not the bit is cleared.

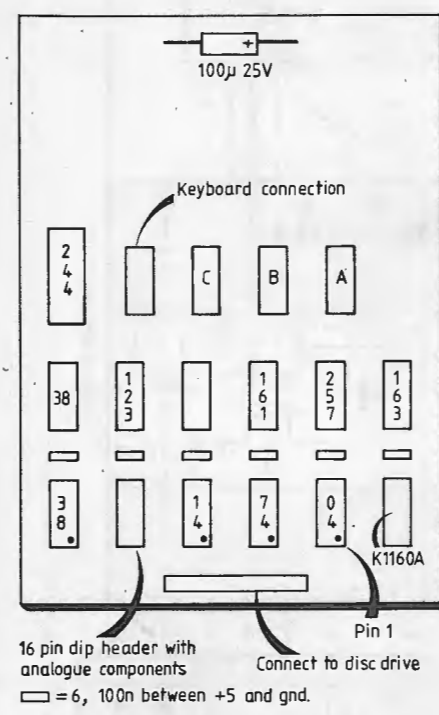
Continuing the instruction-set description, the next article covers logical functions, leading to the next group - read/modify/write instructions.





- C1 10μ 25V Al +12V supply (4 places)
- C2 10μ 25V Al -5V supply (4 places)
- C3 100μ 25V Al +5V supply (2 places)
- C4 100n between +5V/gnd (8 places)
- x x 100n between +12V/gnd and 100n between -5V/gnd (in 27 places)
- z Single in line 10k pullups (in 2 places)

ics are numbered as follows, IC43 means 4th row down 3rd one in i.e. IC43 is an LS02



Complete Forth computer system has a 48K memory, floppy disc storage and memory-data parity checking but the system may be used with 16K ram and without disc storage and parity checking to reduce costs. Wire wrapping allows the computer to be built on one relatively small board with a minimum of bus buffering. A further small board holds the disc controller and i/o-port hardware. The system can be set to read most disc formats.

Z80 machine code which surely explains why it is the most widely sold processor, but to use Forth, the most suitable 8bit microprocessor is the 6809. Although most of Forth is written in Forth, the computer must execute some machine code to interpret the most primitive Forth instructions. The 6809 has indexed addressing modes (see "6809 evaluation system" by R. Coates, *Wireless World* July 1980) which suit stack operations and as said earlier, Forth uses two stacks. These examples of stack addition illustrate the merits of the 6809; they represent code of the Forth word '+' for various processors.

6809	Z80/8085	6800
PULU	D POP	D PULB
ADD 0,U	POP H	PULA
STD 0,U	DAD H	TSX
	PUSH H	ADDB 1,X
		ADCA 0,X
		STB 1,X
		STA 0,X
6502	8088	
CLC	POP AX	
LDA 0,X	POP BX	
ADC 2,X	ADD AX,BX	
STA 2,X	PUSH AX	
LDA 1,X		
ADC 3,X		
STA 3,X		
INX		
INX		

Secondly, the 6809 instruction set is particularly suited to code the crucial Forth word 'next'. The speed at which 'next' is executed determines the performance of the Forth system since this word controls the indirect-threaded code. 'Next' is called the inner (or address) interpreter to distinguish it from Forth's text interpreter which performs the function of a compiler.

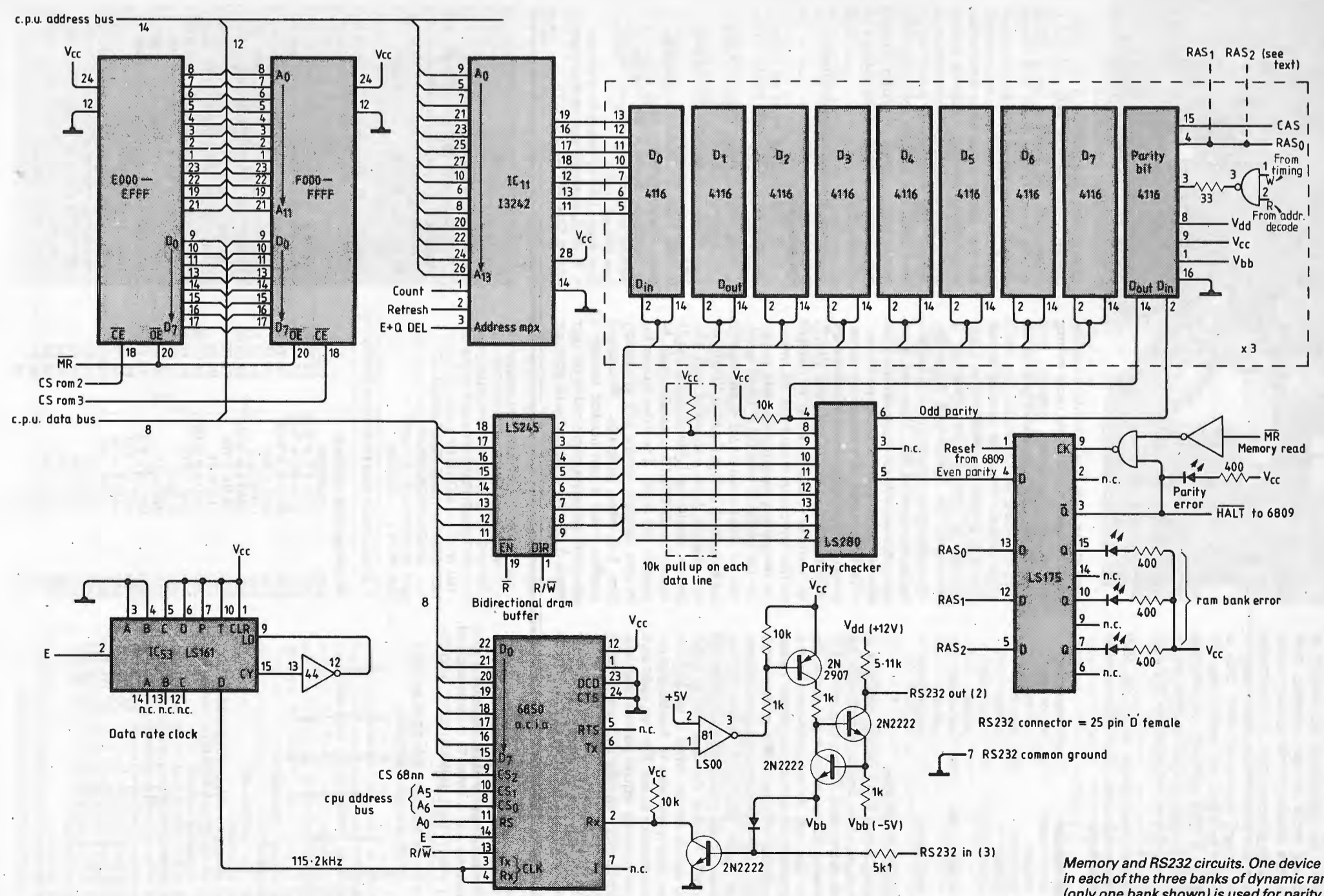
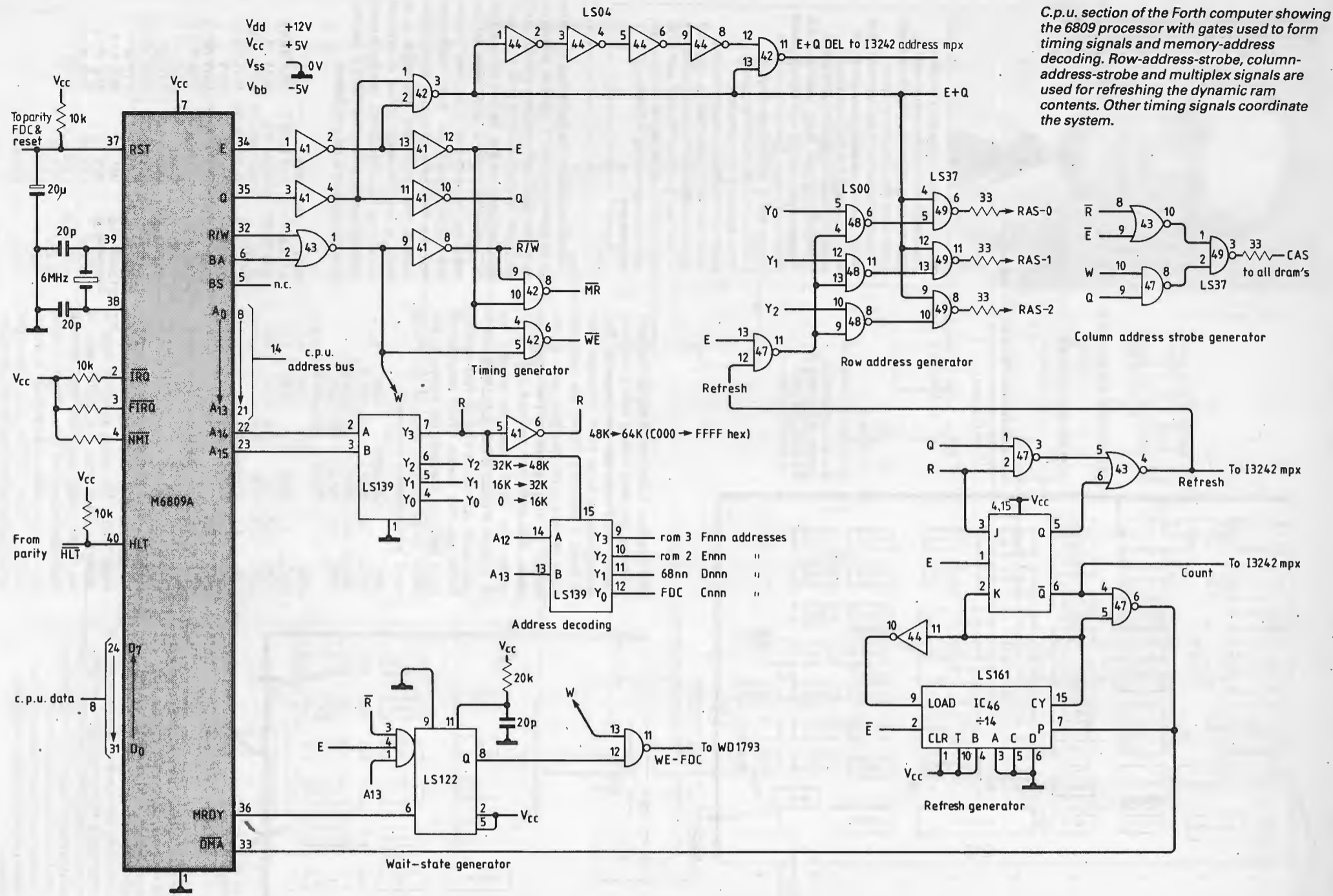


Having worked in Hewlett Packard's production and systems-engineering departments, Brian Woodroffe currently works with the company's South Queensferry research and development group and has recently been involved with designing the microprocessor control section of the HP3724/25/26A baseband analyser. Brian obtained a BA degree in engineering and economics at Downing College, Cambridge in 1970 and an MA in 1975. His computing interests include real-time control, languages and microprocessor graphics but outside electronics, his main interest - rifle shooting, in which he has represented Scotland in full bore - has been curtailed through part-time studies for an M.Sc degree in computer systems engineering at Edinburgh University.

Machine code in the computer emulates Forth operation, the Y register taking on the role of the Forth program counter, and the Forth instruction-fetch cycle is a 'next' machine-code routine. So you can see that the processor choice is dominated by the speed and memory cost of the 'next' operation. Equivalent Forth 'next' operations for some microprocessors are listed below. Because the 6809 'next' operation is so short, it may be copied in line as required resulting in improved performance through avoiding the JMP NEXT instruction required for most processors.

6809	8088	6502
LDX 0,Y++	JMP NEXT	JMP NEXT
JMP [0,X] (4.11)	LODS AX	LDY #1
	MOV BX,AX	LDY [IP],Y
	MOV DX,BX	STA W+1
	INC DX	DEY
Z80/8085	JMP WORD	LDY (IP),Y
JMP NEXT	PTR (BX)	STA W
LDAX B		CLC
INX B		LDI IP
MOV L,A		ADC #2
LDAX B	JMP NEXT	STA IP
INX B	LDX IP	BCC \$+4
MOV H,A	INX	INC IP+1
MOVE,M	INX	JMP W-1 (1.25)
INX H	STX IP	
MOV D,M	LDX 0,X	
XCHL	STX W	
PCHL	LDX 0,X	
(1.37)	JMP 0,X	
	(1)	







Values in parentheses are merit figures obtained by multiplying the number of processor cycles by the processor cycle time then dividing by the memory-access time in the processor cycle. It is interesting to note that the 6809 fares better than the more recently introduced 8088. This is especially so when one realises that the 8088 has a 16bit arithmetic unit whereas the 6809 in common with the other processors noted has an 8bit arithmetic and logic unit (a.l.u.).

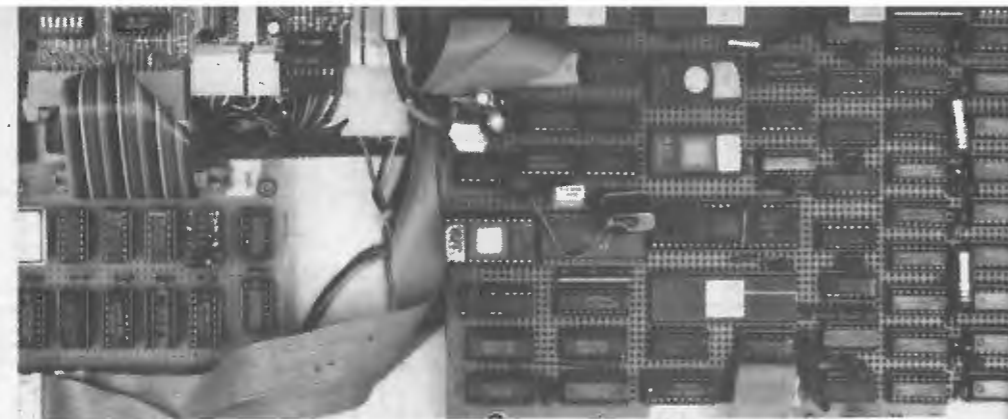
Finally, the register set of the 6809 exactly matches that which is required to operate Forth.

6809 register	Forth operation
S system stack pointer	RP return stack pointer
U user stack pointer	SP data stack pointer
Y index register	IP instruction pointer
X index register	W code field pointer
D accumulator	accumulator

### Peripheral devices

Having chosen Forth and the processor to run it on, other design requirements are easily determined. These were selected to maximize the number of peripheral devices that can be easily driven. First a floppy disc was included to provide a modest amount of non-volatile memory with much faster operation than tape recorders. Mini floppy discs were chosen for two reasons, firstly because they are cheap and secondly because the data rate of eight-inch double-density drives is too high for most microprocessors to handle without direct-memory access. Further, eight-inch drives normally require phase-locked loop clock-recovery circuits and also a mains supply.

Three-inch disc drives from Sony were investigated but the data transfer rate is



high so that only single-density recording could be used, which would mean wasting half of the data-storage capacity. Both these drives and eight-inch types can be used with the system, provided they run in single density. Processor memory in this system is greater than 40Kbyte so a disc capacity of greater than 400Kbyte is reasonable; one double-sided floppy-disc drive meets this requirement. It is interesting to note that the BBC Micro and Atom computer can only use single-density 5 1/4 inch disc drives because of data-rate problems.

Different types of terminal are accommodated. Operating-system words for terminals, KEY, TERMINAL and EMIT, are vectored so that they may be changed on-line between terminal types. At switch-on the system automatically sets vectors for the available terminals. These terminals are either serial RS232 or 8bit parallel for a keyboard such as the RCA VP601/611 and integral video compatible with 625-line tv, displaying 1,024 characters in 16 lines (the EF96364B controller may be used for 525 lines). The video section has its own memory, leaving 48K of memory free for other programs. Bit-mapped graphics video is best handled through a secondary processor connected to the user ports. A number of definable i/o ports are

spare to allow for expansion of the system. Certain design features were included to reduce cost. By keeping the computer system down to one board, bus drivers necessary to overcome capacitance encountered in larger systems are avoided. Another reason for avoiding these buffers is that they cause delays which eat into the access time available from communicating devices. The switch-mode power supply used means that a readily obtainable transformer with a single secondary winding may be used to provide all three rails (+12, +5 and -5V).

Next article describes computer circuitry.

### References

1. E. W. Dijkstra, How do we tell truths that might hurt? ACM Sigplan notices, vol. 17 no 5, May 1982, p.14.
2. Forth Interest Group (FIG), PO Box 1105, San Carlos, CA94070, USA.
3. L. Brodie, Starting Forth. Prentice Hall, 1981.
4. B. Allan, Forth: a threaded interpretive language, *Wireless World* Nov. 1982 p.74.
5. G. Feierbach, Forth - the language of machine independence, *Computer Design*, June 1981 pp.117-121.
6. *Byte*, August 1980 for various Forth articles.
7. W. Wulf, Compilers and Computer Architecture, *Computer*, July 1981 p.41.

# LETTERS

## CABLE AND AMATEURS

As our very good friend Pat Hawker (G3VA) has mentioned on more than one occasion the question of cable tv (c.a.t.v.) being installed for tv links and its possible QRM (interference) to the amateur bands between 5MHz and possible infinity (GHz?) is looming.

With the notification of the RFI Bill 5.929 last September, it would appear that 'we' as the amateur population are dragging our feet somewhat.

Hopefully, as I ask you to publish these few words, someone somewhere, here in the UK at least, will take note to realise that if c.a.t.v. is to progress without (?) problems then parties must get together quickly.

It not only affects the amateur and/or industry-at-large but in some cases the s.w.l. and domestic listener/viewer.

Bear in mind that radio amateurs throughout the world form a substantial part of the balance of payments of varying countries, and after all, not every firm depends on MOD contracts. The naive idea that amateurs 'do not count' according to some professional engineers must be looked at in the light of future and past developments in both radio and tv. In short, what works in theory doesn't always work in practice, so consequently the need for liaison between interested parties, notably the RSGB on the one hand and industry and the Home Office on the other. The RSGB and others are aware of this problem regarding c.a.t.v. and it should not be allowed to drift.

J. A. Holmes, G4LRS  
Chingford  
London

## STEPPER MOTOR DRIVE

The 'Stepper motor driver circuit' article (*WW* February 1983) describes as novel a system which is certainly not new. A t.t.l. chopper drive circuit, while efficient, was found to cause excessive radiated interference (up to 400MHz) when fitted to an aircraft, so I designed a pulsed constant-current circuit using exactly the same principles as in Mr Bailey's article. A simplified

circuit is shown below; it is a standard high-power current sink set at one amp. per volt of  $V_{ref}$ , and gated by the pulse train to pin 8. One circuit is required for each phase of the motor which in this case is a large V.R. type.

This circuit has been in use since early 1977; I had no reason to suppose it was novel then.  
B. S. Beddoe  
Wimborne  
Dorset

## HERETICAL PHYSICS

Those of us who are approaching the age of 80 can hardly bear to wait a month to find out what kind of Newer Physics is going to turn up in the *WW* "Letters". Some of the ideas are so oddly fascinating that it seems a real pity that they cannot all be right.

Attractive though this is, I cannot help remembering the professor of physics who reminded his students that what happened on the lab. bench was real, whereas what went on inside human heads was mostly fantasy, and often pathological fantasy at that.

P. C. Smethurst,  
Bishop's Stortford, Herts.

## ELECTROMAGNETIC DOPPLER

In your March 1983 issue, your correspondent J. Kennaugh asks how the Doppler shift is produced in electromagnetic waves. Specifically he quotes the relativistic Doppler equation as:

$$\frac{f_o}{f_s} = \left(\frac{c-v}{c}\right) \left(\frac{1}{\sqrt{1-v^2/c^2}}\right)$$

and asks "what is the physical mechanism which produces the first term?". The "physical mechanism" is the velocity, v.

J. K says that if the wave propagation velocity is the same to both observers then the only possible variable is time. I don't understand why J.K. says this. If two objects are travelling away from each other then the distance between them is increasing.

If one of these objects generates something - say "wave crests" - at regular intervals, and if

these wave crests travel through space to the other object, then each successive crest has further to travel and consequently takes longer over the journey. The frequency of arrival is lower than the frequency of departure. If we take the transmission frequency to be  $f_s$  and the received frequency to be  $f_o$ , the relative velocity between the objects as v and the propagation velocity as c, then for "modest" v a moment's work with pencil and paper gives:

$$\frac{f_o}{f_s} = \frac{c-v}{c}$$

In this equation  $f_o$ ,  $f_s$ , c and v are all measured by the same observer. J.K. says that (c-v) is the velocity of light relative to the observer. Not true. (c-v) is the difference between the rate at which light (or radio waves) cross the gap (c) and the rate at which the gap is increasing (v).

Note that this last equation arises naturally from the definitions of velocity and frequency - no obscure "physical mechanism" is needed.

Another point. If both objects transmit at identical transmitter frequency then each will receive a lower frequency (Doppler shifted) than they transmit. At object A, the transmitter frequency  $f_A$  is higher than the received frequency from B ( $f_B$ ) -  $f_A > f_B$ ; at B, by the same process  $f_B > f_A$ . There is a sense in which  $f_A > f_B$  and  $f_A < f_B$ . If you think that this "doesn't conform to the laws of mathematics" then you have three (not two) choices: reject the Doppler effect; reject maths; or find an error in your "deduction".

S. Hobson  
Hampton  
Middlesex

I have been unable to find the answer to what is superficially a straightforward question: what is the mechanism by which Doppler shift is produced in the case of electromagnetic waves?

In acoustics, when two observers in relative motion observe the same sound wave they measure different frequencies because the wave is passing each at a different relative velocity. If  $V_{R1}$  and  $V_{R2}$  represent the velocities of observers 1 and 2 relative to the wave then

$$f_1 \lambda = f_2 \lambda \quad (1)$$

$$\text{or } \frac{f_1}{f_2} = \frac{V_{R1} - v}{V_{R2} - v} \quad (2)$$

Equation (2) is the derivation of the more familiar form of the equation where the relative velocity of wave and observer is expressed in terms of the velocity of propagation in the medium V, and the velocity of the observers relative to the medium  $V_1$  and  $V_2$ .

The e.m. Doppler shift equation (3) can be verified experimentally to a high degree of accuracy.

$$\frac{f_o}{f_s} = \frac{c-v}{c} \quad (3)$$

Now if, as I have seen stated, "similar principles apply" one can deduce two things.

- (1) that the velocity of light relative to the observer is c-v, which is in direct opposition to the postulate of relativity which insists that the velocity of light is always c independent of relative motion between source and observer;
- (2) that the velocity of light is constant relative to the source, which would provide an ade-

continued from page 50

### Z8 Basic listing for eight-channel a to d converter (@ = byte, % = hexa-decimal)

```

1 PRINT "SILICONIX LD120/121A TO Z8
INTERFACE"
2 PRINT "HIT ANY KEY TO RUN": GO
@%61,%07:R=USR(%54)
5 A = : B =
10 C = : D =
15 E = : F =
20 G = see* : H = see*
25 I = : J =
30 K = : L =
35 M = : N =
40 O = : P =
45 IN = 1 : Z=%80
50 @2=Z
55 @3=%A0:03=00
60 @2=%00
70 W =W+1:IFW<15 THEN 70
80 W =0:GO@%1400 (m.c. routine for
collection of data)
85 IF N=1 THEN X=A: Y=B: GO TO 130
90 IF N=2 THEN X=C: Y=D: GO TO 130
95 IF N=3 THEN X=E: Y=F: GO TO 130
100 IF N=4 THEN X=G: Y=H: GO TO 130
105 IF N=5 THEN X=I: Y=J: GO TO 130
110 IF N=6 THEN X=K: Y=L: GO TO 130
115 IF N=7 THEN X=M: Y=N: GO TO 130
120 IF N=8 THEN X=O: Y=P: GO TO 130
125 GO TO 45
130 Z=Z+%10
135 V=@%26+@%25*10+@%24*100
+@%23*1000+@%22*10000
410

```

```

140 IF V>X THEN PRINT "CHANNEL":
N;"OVERRANGE":GO TO 1000
145 IF V<Y THEN PRINT "CHANNEL":
N;"UNDERRANGE":GO TO 1000
150 N=N+1: GO TO 50
1000 GO@%61,%07:PRINT @%22:"":
@%24:@%25:@%26;
1010 PRINT"MAX":X;"MIN":Y
1020 N=N+1: GOTO50

```

\*Limits entered here for process monitoring.

### Machine code routine

Line	Assembler	Hex
200	LD % F7, # % 41	E6 F7 41
210	LD % F6, # % 0F	E6 F7 0F
220	AND 3, # % 04	56 03 04
230	JRZ, * 220	6B FB
240	LD % 22, 2	E4 02 22
250	AND 3 # % 04	56 03 04
260	JR N2, * 250	EB FB
270	CLR % 21	B0 21
280	AND 3 # % 08	56 03 08
290	JRZ, * 270	6B FB
300	PUSH 2	70 02
310	INC % 21	20 21
320	CP % 21, # 4	A6 21 04
330	JRZ 2, * 350	6B 07
340	AND 3, # 08	56 03 08
350	JR N2 * 320	EB FB
360	JR * 270	8B EB
370	POP % 26	50 26
380	POP % 25	50 25
390	POP % 24	50 24
400	POP % 23	50 23
410	RET	AF

### Using the Z8 microprocessor

The potential of the Zilog Z8 microcomputer for low-volume or one-off applications has not been well publicised. Introduced in 1981, the chip includes all the blocks that you would find in a standard computer system including c.p.u., ram, i/o and a rom containing Tiny Basic. In addition there are two timers, one for serial i/o, the other available to the user. External memory of 60K can be added for program storage together with 60K of data storage. The evaluation kit used in this was supplied by Ambit International and possesses a comprehensive monitor, enabling machine-code routines to be written in Assembler and stored in eeprom. The Tiny Basic name does not reveal the full potential of itself, and with an 8MHz clock driving the Z8, it executes most of the instructions in 1.5 to 2.5  $\mu$ s.



quate explanation of the null result of the Michelson-Morley experiment and would support the corpuscular/photon model of light, photons being "shot" out of matter at constant "muzzle" velocity.

A further piece of evidence supporting (2) is that of star aberration. In 1729 Bradley showed that the apparent direction of a star is actually the vector sum of velocity of the light from the star and that of the earth. It would seem that there is at least some evidence to support the view that the velocity of light is constant with respect to the source and that this would resolve the dilemma presented to physics by the Michelson-Morley experiment. As physics has not accepted this path one can logically assume that there must be overwhelming evidence to the contrary which supports the postulate that the velocity of light is always constant independent of the velocity of the source. I have looked in vain for such evidence: most books seem to manage without any, the only evidence I have found being de Sitters' observation of double stars. If the whole of modern physics is based only on that I think we should all be worried.

The standard technique seems to be to ignore Doppler and aberration, to fudge the evidence in respect of the postulate and dive straight into the mathematics of relativity.

From this appear the relativistic Doppler shift equation and aberration equation. Thus having shown that both are embraced by relativity one never has to ask the questions I have raised. Now the relativistic Doppler equation may be written.

$$\frac{f_o}{f_s} = \left(\frac{c-v}{c}\right) \left(\frac{1}{\sqrt{1-v^2/c^2}}\right)$$

The second term is time dilation, which for modest values of v is equal to unity. My question is what is the physical mechanism which produces the first term which appears to be the ratio of two velocities. If the velocity of the wave is the same to both observers there is effectively only one other possible variable and that is time (note distance can be defined as the distance travelled by a light beam in unit time) so that if the first term is not due to a difference in velocity of wave it must be due to a time difference or time dilation. Both observers observe the same wave. They both observe that it is travelling at the same velocity yet they disagree as to its frequency because their clocks are ticking at a different rate. But whose clock is ticking faster. It depends on which observer is sourcing the beam of light. If both send a beam to the other simultaneously then we get the mathematical absurdity.

$T_A > T_B$  and  $T_A < T_B$  - both true.

This type of "paradox" has been mentioned in *WW* before, but surely either the result must be rejected because it doesn't conform to the laws of mathematics, or the laws of mathematics are wrong, in which case the derivation of the result must be rejected as being based on faulty mathematical laws.

I would welcome any suggestions as to where I am going wrong.

## Appendix Double Stars

For those unfamiliar with this piece of evidence the idea is that if the velocity of light was constant with respect to the source then the light from a star in a binary system which is travelling towards us would tend to overtake that from the

star going away from us with the result that their observed orbits would seem irregular. De Sitter observed double stars and no orbital irregularity. I have yet to find out when or where these observations took place, the magnitude of the expected irregularity, de Sitter's measurement accuracy, and why he didn't get a Nobel prize for this obviously vital work.

J. Kennaugh  
Cornwall

## DIMENSIONS

The arguments which appear in the letters to *Wireless World* month by month on the validity and meaning (if any), of D and B, E and H, the products of  $\mu$  and  $\epsilon$  and the ratio of  $\mu$  and  $\epsilon$ , seem never ending. As a student in the late 1940s I was obliged to learn such formulae and their "dimensions" in e.m. units, e.s. units and Gaussian units from the famous text books of S. G. Starling. The apparent duality of e.m.u. and e.s.u. systems and their quaint skew symmetry appealed to the mystics who mused on the inner meaning of the symmetries. At that time the main practical use to me was as a means of checking half-remembered formulae in examinations!

With the introduction of S.I. units, the theory of dimensions seems to have fallen into disuse or was considered 'not quite decent', except in the pages of *Wireless World*.

In the early 1950s, while designing and testing waveguide components, I was very impressed with the frequency with which the expression  $(\sqrt{\mu/\epsilon}) = Z_0$  appeared in texts dealing with waveguides and aerials and the concept that  $Z_0$  was the characteristic impedance of free space for plane e.m. waves appealed to me. I remember noticing that if one listed such properties as charge, "magnetic pole", electric field, B and D, E and H and so on, with their e.m.u. and e.s.u. dimensions in separate columns, most of the e.m.u. dimensions occurred in powers of  $\epsilon^{1/2}$  or  $\epsilon^{-1/2}$  while the e.s.u. dimensions of that property was usually expressed in corresponding powers of  $\mu^{1/2}$  or  $\mu^{-1/2}$ .

I then made up a third column in which the dimensions were the geometric means of the dimensions in the e.m.u. and e.s.u. columns, expecting to find an inconsistency, but to my surprise I found this was also a self-consistent system of dimensions in which the "4th dimension" was  $(\sqrt{\mu/\epsilon})$ , which I have denoted by Z in Table 1. Symmetry was greatly improved. The skew symmetry between e.m.u. and e.s.u. di-

mensions of analogous magnetic and electric properties had now vanished, so far as ML and T were concerned, and only appeared as opposite sign in the index of Z. I therefore added a 4th column in M,L,T and Y, where  $Y=Z^{-1}$ . The skew symmetry now reappears, but with no mystery, as *WW* readers have been considering the duality of networks expressed in terms of impedance and admittance for a very long time!

It would now seem that the duality of magnetic phenomena and electric phenomena has a very close affinity to that duality used in networks expressed in Z and Y. At this stage, I discovered that Fitzgerald had known about the M,L,T,Z system of dimensions in the late 19th Century but was unable to identify Z which he regarded as a "slowness" or "retardation" of some kind. So Fitzgerald abandoned the concept. The Z system of dimensions does not derive logically from inverse square laws of forces between magnetic poles and electric charges which many people regard as impossible experiments, anyway.

So far, I have never found any inconsistencies in the Z system outlined here and would be obliged to readers who can point any out to me. I have unfortunately now lost the reference to Fitzgerald's paper which may have appeared in an early series of *Proc. Roy. Soc. or Phil. Mag.* in the 1890s. Can anyone help?

It is well-known that despite similarity in the mathematical methods from which they are derived, resistance and reluctance are not analogous electric and magnetic phenomena. This is demonstrated in Table 1 in e.m.u., e.s.u. and also in Z systems of dimensions. I am inclined to believe that more attention should be paid to the nature of Z and the dynamic properties of e.m. radiation, following Maxwell, rather than tackling static properties like  $\mu + \epsilon$ , derived from impractical hypothetical experiments. A change from mass to 'spin' or 'action' is also interesting for simplifying charge and 'magnetic pole', B + D and flux.

Whether the Z system will throw any light on the problems of your correspondents is incalculable; all I can hope is that by throwing yet another pebble into the pond perhaps some other obscuring ripple may be temporarily cancelled out, allowing a momentary glimpse of the underlying physics before too much mud is stirred up!

E. F. Dawson  
Melton Mowbray  
Leicestershire

TABLE 1

Property	Dimensions in ESU	Dimensions in EMU	Geometric mean of ESU & EMU $Z = \sqrt{\mu/\epsilon}$	$Y = Z^{-1}$
charge	$M^{1/2}L^{3/2}T^{-1}\epsilon^{-1/2}$	$M^{1/2}L^{1/2}T^{-1}\mu^{-1/2}$	$M^{1/2}L^{1/2}T^{-1/2}\epsilon^{-1/4}\mu^{1/4}$	$M^{1/2}L^{1/2}T^{1/2}\epsilon^{1/4}\mu^{-1/4}$
magnetic pole	$M^{1/2}L^{1/2}T^{-1}\epsilon^{-1/2}$	$M^{1/2}L^{3/2}T^{-1}\mu^{-1/2}$	$M^{1/2}L^{1/2}T^{-1/2}\epsilon^{-1/4}\mu^{1/4}$	$M^{1/2}L^{3/2}T^{1/2}\epsilon^{1/4}\mu^{-1/4}$
electric field E	$M^{1/2}L^{-1/2}T^{-2}\epsilon^{-1/2}$	$M^{1/2}L^{-1/2}T^{-1}\mu^{-1/2}$	$M^{1/2}L^{-1/2}T^{-3/2}\epsilon^{-1/4}\mu^{1/4}$	$M^{1/2}L^{-1/2}T^{1/2}\epsilon^{1/4}\mu^{-1/4}$
magnetic field H	$M^{1/2}L^{-3/2}T^{-1}\epsilon^{-1/2}$	$M^{1/2}L^{-1/2}T^{-1}\mu^{1/2}$	$M^{1/2}L^{-1/2}T^{-1/2}\epsilon^{-1/4}\mu^{1/4}$	$M^{1/2}L^{-3/2}T^{1/2}\epsilon^{1/4}\mu^{-1/4}$
B	$M^{1/2}L^{-1/2}T^{-1}\epsilon^{-1/2}$	$M^{1/2}L^{-3/2}T^{-1}\mu^{-1/2}$	$M^{1/2}L^{-1/2}T^{-1/2}\epsilon^{-1/4}\mu^{1/4}$	$M^{1/2}L^{-3/2}T^{1/2}\epsilon^{1/4}\mu^{-1/4}$
D	$M^{1/2}L^{-1/2}T^{-1}\epsilon^{-1/2}$	$M^{1/2}L^{-1/2}T^{-1}\mu^{-1/2}$	$M^{1/2}L^{-1/2}T^{-1/2}\epsilon^{-1/4}\mu^{1/4}$	$M^{1/2}L^{-1/2}T^{1/2}\epsilon^{1/4}\mu^{-1/4}$
$\mu$	$M^0L^{-2}T^2\epsilon^{-1}$	$M^0L^0T^0\mu^1$	$M^0L^{-1}T^1\epsilon^{-1/2}\mu^{1/2}$	$M^0L^1T^{-1}\epsilon^{1/2}\mu^{-1/2}$
$\epsilon$	$M^0L^0T^0\epsilon^1$	$M^0L^{-2}T^2\mu^{-1}$	$M^0L^{-1}T^1\epsilon^{1/2}\mu^{-1/2}$	$M^0L^1T^{-1}\epsilon^{-1/2}\mu^{1/2}$
electric resistance R	$M^0L^{-1}T^{-1}\epsilon^{-1}$	$M^0L^1T^{-1}\mu^{-1}$	$M^0L^0T^0\epsilon^{-1/2}\mu^{1/2}$	$M^0L^0T^0\epsilon^{1/2}\mu^{-1/2}$
capacitance	$M^0L^1T^0\epsilon^1$	$M^0L^{-1}T^0\mu^{-1}$	$M^0L^0T^0\epsilon^{1/2}\mu^{-1/2}$	$M^0L^0T^0\epsilon^{-1/2}\mu^{1/2}$
inductance	$M^0L^1T^0\epsilon^{-1}$	$M^0L^1T^0\mu^1$	$M^0L^1T^0\epsilon^{-1/2}\mu^{1/2}$	$M^0L^1T^0\epsilon^{1/2}\mu^{-1/2}$
magnetic reluctance	$M^0L^{-1}T^{-2}\epsilon^1$	$M^0L^{-1}T^0\mu^{-1}$	$M^0L^{-1}T^{-1}\epsilon^{1/2}\mu^{-1/2}$	$M^0L^{-1}T^1\epsilon^{-1/2}\mu^{1/2}$

## AERIALS AT SEA

Regarding Wiseman's articles on marine radio, it is unfair to compare Soviet merchant practice with the West's since all Soviet ships are quasi-military and under strict government control, hence "proper" aerials.

I agree that some of the installations are quite appallingly bad and have been neglected, but the root cause is the short aerial, and lack of radiation resistance. Since we cannot emulate the BBC's "big T" at Droitwich within the confines of a ship another solution must be found, and I suggest that the helically loaded glass-fibre whip is the answer. Glass-fibre poles are freely available (pole vaulters use them). Such poles are about twenty feet long and would accommodate around one hundred metres of 16 s.w.g. copper wire. Since these aerials could be manufactured to have a driving-point impedance equal to that of the feeder, insulation losses would be minimal.

Regarding the durability of glass-reinforced plastics, cheap g.r.p. is based on polyester resin, which is hygroscopic and does deteriorate in the space of a few years. G.r.p. reinforced with epoxy resin does not appear to suffer in this way although it is more costly.

Finally if anyone is enterprising enough to make such an aerial, he must be sure to avoid a carbon fibre reinforced pole.

D. Benyon  
Bude  
Cornwall

## HERETICS GUIDE TO MODERN PHYSICS

I would have thought that authors prepared to advertise their Ph.D., B.Sc., and so on would show a more up-to-date knowledge and greater scientific integrity than that displayed in October 1982 *WW* by Dr Scott Murray.

The 'Photon' article revolves round and leads to a conclusion that a special test experiment on counting single photons should be done, and the author confidently predicts the result that individual photons passing through an apparatus would not show interference. I'm afraid that Scott Murray is out of date by 50 years or more; the experiment has been done many times, since photon counters (able to detect single photons) have been available for a long time. And the result - individual photons produce interference fringes just as more intense light does.

I cannot offer an explanation, since apart from using quantum mechanics (which is a mathematical description) there is no explanation in mechanistic terms of what happens. The problem strains our imagination to its limits, but explanation or not, it is a hard experimental fact. I do not think that this can be passed off as a subjective assessment as implied by John W. T. Smith, September, 1982 *WW* letters), since the photomultiplier either does, or does not register photons at certain position along the interference fringe pattern. This experiment has been repeated by many workers, since the topic is of great significance, yet always the same result.

I think therefore Scott Murray should review the contents of any subsequent articles on this theme if they rely on his incorrect anticipation of the photon experiment. A good description of this experiment occurs in Richard Feynman's Book - *The Character of Physical Law* (BBC Publications 1966).

To further confound Scott Murray, electrons also show wave/particle duality and give interference fringes too; this is also described in Feynman's book.

One further point, articles of a scientific nature, whether 'heretical' or not, are improved by less use of emotive terms like 'dogma', 'mysticism' 'doctrine'. It would seem that the only person with a dogmatic view is Scott Murray himself who has decided to shun the facts and invent his own 'nature'.

B. J. C. Burrows  
Benson  
Oxford

In the article from the series by Dr Murray which appeared in the December issue he refers to Compton's calculation of the way in which the energy of a gamma ray scattered by a free electron varies with the angle of scattering, though for some reason he describes the scattered gamma ray as a second gamma radiated from the point of impact. He claims correctly that Compton's calculation was based on the model of a billiard ball collision between the gamma ray photon and the electron, but neglects to mention that this model is quite unable to account for the experimental observations of the angular distribution of the scattered photons about the direction of the incident photons. Eventually Klein and Nishina succeeded in deriving an expression for this distribution which is accurate up to and beyond energies of 10 MeV, but they made use of wave mechanics. So much for his assertion that there is 'no indication of wavelike properties of either electrons or photons'.

He goes on to discuss the photo-electric effect. This effect, in which an incoming gamma ray is completely absorbed by a single atom, which then emits a single electron carrying the excess energy, has been studied for many years. Characteristically the electron has a distribution about the direction of the gamma ray which extends over a wide range of angles, and an energy which falls short of that of the gamma ray by an amount which has a series of discrete values determined by the atom from which it is ejected'. Thus the process observed experimentally bears little resemblance to the results of Dr Murray's calculation, since according to him 'the direction of the electron's motion must be at right angles to the incident photon's path to within a few hundredths of an angular degree'. Even if one were to take Dr Murray's calculations at their face value, and to accept that they would apply to the photons associated with electromagnetic waves, a 'Murray photon' hitting a vertical dipole aerial would be equally likely to eject an electron from its parent atom so that it moved towards the top, bottom, or sides of the aerial rod, giving zero net induced current!

In general a photon will interact collectively with electrons in an area of the wave front with linear dimensions of at least one wavelength. For the optical photo-effect, in which a photon of visible light ejects a single electron from a suitably prepared surface, the wavelength is some tens of interatomic spacings, so that despite the end result the effect cannot be explained in terms of the interaction of the photon with an isolated electron or atom. A 300 MHz photon, whose energy is some  $10^{-9}$  eV only, would interact collectively with electrons over the whole length of a dipole aerial tuned to that frequency, though I doubt whether individual quantum phenomena as such have been ob-

served at frequencies below 300 GHz. This is hardly the behaviour of a classical particle, and it is not surprising that Dr Murray turned his discussion rather quickly from photons and electromagnetic waves to the consideration of much higher energy photons.

The articles in the series so far have either been written tongue in cheek, or betray a failure to grasp the basic ideas of quantum mechanics and a very limited knowledge of the experimental results which confirm some of its most radical predictions. It is rather unfortunate that *Wireless World* should be propagating this 'disinformation' at the very time when experiments are coming down solidly in favour of one of the most mind-blowing of these predictions, one which is at variance even with the simpler versions of Special Relativity<sup>2</sup>.

C. F. Coleman  
Grove  
Nr. Wantage  
Oxfordshire

## References

1. C. M. Davison, 'Interaction of  $\gamma$ -Radiation with Matter', from 'Alpha-, Beta-, and Gamma-Ray Spectroscopy', Ed K. Siegbahn, North Holland, Amsterdam 1965.
2. A. Aspect, P. Grangier and C. Roger, *Phys. Rev. Letters* 47 (1981) 460. R. D. Mattuck, *Eur. J. Phys.* 3 (1982) 107.

Dr Scott Murray (Quantization and quantization, Jan. 83) regards the idea that light seems to consist sometimes of waves and sometimes of particles to be mysticism of the most blatant kind. Indeed it would be if one believes that light 'consists' of waves and particles, since these two entities have mutually exclusive properties.

The idea that any physical phenomenon 'is' or 'consists' of either waves or particles is surely the root of the problem. The concept of wave and of particle are pure abstractions. They summon up in each case a set of mathematical relationships which define what we mean by these abstractions. A bullet or a billiard ball do not 'consist' of particles, nor do ripples on a pond or vibrations in a plank of wood 'consist' of waves. That the abstract set of ideas associated with waves is useful in describing and predicting certain physical events, like the movement of a violin string is true. Similarly, the set of ideas associated with particles is clearly of value in other areas. That light has some properties for which the wave concept is more useful, and other properties for which the particle concept is of greater value presents no contradiction. It simply demonstrates that we have yet to devise a unified, internally consistent set of ideas which are paralleled in the physical world by all of light's manifestations.

M. M. Gleave  
Whitstable  
Kent

I have an increasing sense of bewilderment on reading Dr W. A. Scott Murray's series of articles so far.

I may be simple-minded, but I am unable to see that certain of Dr Murray's remarks have the remotest connexion with any physical phenomena ("... prediction is foreign to Nature..."), "... living matter... does this (build enzymes etc. for its own convenience) by decreasing entropy locally...").

Now Dr Murray unveils what seems to be his fundamental physical paradigm, of "discrete



physical entities having real, free-standing existence independently of each other and of any observer, human or deputy." Such a paradigm fails to provide any account even of the simplest interactions between such "entities", and I am afraid it suffers the same fate as all other attempts to explain the obscure in terms of the more obscure.

Indeed, this must be the fate of all attempted explanations which may be produced in accordance with Dr Murray's own criterion of demarcation between physics and mysticism (physical phenomena to be physically explained). Thus, any such attempted physical explanation will involve physical phenomena; but the criterion demands that these be explained physically, and so we either end up with an infinite regress (or a circularity) of physical explanations, or finish after all with something that is not explained at all, or at least not physically! I think we need a better criterion than what Dr Murray has proposed!

In summary, I am afraid that Dr Murray seems to show basic confusion about what is and is not capable of being meant and explained by a physical theory. I am unable to say what is the essence of a better approach to making, using and understanding theories, but anybody who would like to arrive at such an approach could do very well, I believe, to consider the views of Sir Isaac Newton. I quote his refusal to speculate on the nature and origin of the interactions involved in the phenomena of universal gravitation, for which he had provided his celebrated mathematical account: (Concerning such matters) "I frame no hypotheses; for whatever is not implied by the phenomena is to be called an hypothesis; and hypotheses, whether physical or metaphysical, whether of occult things or mechanical, have no place in experimental philosophy."

Newton's 'experimental philosophy' is none other than what we now call science. I suggest that 'hypotheses, whether physical or metaphysical . . .' also have no place in a scientific journal such as *Wireless World*.  
Terry Stancliffe  
Wimbledon  
London SW19

#### The author replies:

Readers' letters in response to the "Heretic's Guide" series so far have fallen into two categories: the interested and constructive ones have mostly been addressed to me privately and some of them have initiated encouraging correspondence, while the critical and sometimes personally-abusive ones have tended to be addressed to the Editor of *Wireless World* - occasionally even taking him to task too for allowing such nonsense to be published in his magazine! That pattern was predictable and I have no fault to find with it.

One of the recurring topics is the suggestion that the interference of light might disappear at a sufficiently low light level or photon density. What is a "low" photon density? How long is a photon? (A. H. Winterfield, Letters, January). I know of several standard "experimental" answers to that second question, all of them wrong in that they are in conflict with other experimental results. Mr B. J. C. Burrows' letter may be quoted as representing the majority view on this issue. He says that "Scott Murray is out of date by 50 years or more . . . individual photons produce interference fringes just as more in-

tense light does . . . This experiment has been repeated by many workers, always with the same result."

Now the interesting point about this quote is that what Mr Burrows says, although straight down the centre of the established duality doctrine, is not in fact true. Two Russian experimenters, Dontsov and Baz' (Soviet Physics JETP, translated, 25, pp. 1-5, 1967) reported that "photons in light beams are correlated to a considerable degree and cannot be considered statistically independent as a rule . . . the impinging beams contained 'bunches' of photons"; and after they had dealt with this bunching (their choice of word, independently of mine), "the beam of statistically independent photons passed through the interferometer without producing an interference pattern."

One part of this experiment was quickly repeated by G. T. Reynolds of Princeton and reported at a symposium at Imperial College in 1969. Reynolds did not observe any deterioration of his interference fringes, but although he had attempted to reproduce the Russians' apparatus exactly he used a different kind of light source and his experiment was not performed in quite the same way. The most important difference was that Dontsov and Baz' had taken particular care to quantify photon bunching and to minimize its incidence, but Reynolds and his colleagues simply assumed that their photons were statistically independent at the light levels they used.

Therefore, despite Mr Burrows' disagreement, in view of this conflict of experimental findings I still feel that it would be worthwhile to perform at least one more experiment of this general type, taking special anti-bunching precautions and using photon-detection techniques effectively 100 times more sensitive than those of Dontsov and Baz', and Reynolds.

To reply fully to Mr C. F. Coleman would require a letter of at least article length, so instead let me pick out one representative passage for comment. In his third paragraph he says, "In general a photon will interact collectively with electrons in an area of wave front with linear dimensions of at least one wavelength. For the optical photo-effect, in which a photon of visible light ejects a single electron from a suitably prepared surface, the wavelength is some tens of interatomic spacings, so that despite the end result the effect cannot be explained in terms of the interaction of the photon with an isolated electron or atom."

Once more this is *ex cathedra* doctrine, faithfully reproduced.

**Comment one.** The terms photon, wave-front and wavelength appear without differentiation in that single first sentence. Here we have Duality supreme: none of the "sometimes behaves like particles" and "sometimes behaves like a wave system" of the doctrine's more cautious apologists. Here light is both at the same time. Even among Copenhagen's adherents, not every one will support this extremist line in public.

**Comment two.** The photon is said to interact collectively with electrons over a linear dimension of at least 10 inter-atomic spacings; given one free electron per lattice atom there will be 100 of them per square wavelength, or up to 1000 of them would be involved if the photon were to penetrate into the material to a depth of just one wavelength. Now, if some 100 to 1000 electrons are interacting with one incoming photon, why is it that only one of these electrons is ejected by the photon's impact - and what

physical mechanism determines which of the electrons is to be ejected? (Please don't tell me that it is ejected from the material by a "probability"! This was the very argument that in Einstein's hands in 1905 denied the possibility of a statistical mechanism for the photoelectric effect and led directly to the photon hypothesis. Are we to go back on that hypothesis now? (I don't say we shouldn't - I just ask the question).

**Comment three.** The first sentence in the quotation makes a flat statement of what happens in a photon/photocell interaction, all cut and dried as if it were factually true. How wide is a photon, please? If we knew the answer to that we might be able to "explain the effect" in line with "the end result". Many answers have been proposed to that question, all different and mutually conflicting: it is conventional nowadays to regard the question as "improper" and refuse to recognise it. But in that case perhaps I may reasonably ask instead for a reference to the report of the experiment which measured the diameter of a photon and supports the statement that it is "at least one wavelength" across? I believe there is no such reference; that is one of the fundamental experiments that I have suggested ought now to be done.

Other comments could be made, but perhaps I have said enough. There are many things in the arena of modern physics that none of us understand, and it doesn't help progress for people to insist that we know it all when in fact we don't. It is more seemly to be humble when discussing such difficult problems. Several correspondents such as N. M. Gleave, John W. T. Smith and Professor D. A. Bell have written in a very civilized way on the theme that "... we have yet to devise a unified, internally consistent set of ideas which are paralleled in the physical world . . ." (with which I wholeheartedly agree), and that it may never prove possible to devise one because the scope of human thought-processes may be too limiting. There is as yet no evidence of this either way, but it suits my temperament to be optimistic. What I don't go along with is the idea that one should give up trying to understand such things simply because the Copenhagen School, having themselves failed to reach understanding of them, arrogantly pronounced them to be non-questions, unsuitable for the attention of physicists. It is just possible that the Copenhagen School and their followers may have been wrong on that point, as they have been on quite a few others.

I move that we should re-examine our current physical concepts carefully and conscientiously in the light of a few realistic principles ("acceptable paradigms", if you will, *pace* Mr Terry Stancliffe!), and go on trying.

## SATELLITE TV SYSTEM

Dr Tomlinson, no doubt, will correct me if I am wrong but his "original method" of digital/analog modulation (*WW* January 83, pp28,29) seems to me to be a development of the ADAM modem which Freddie Court of SRDE devised, in 1971/72, during his work on SKYNET.

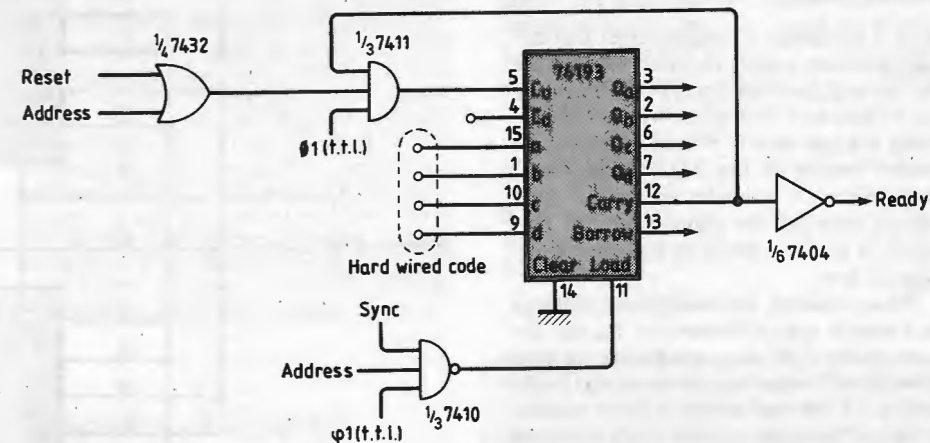
Working from memory, I believe ADAM stood for "Amplitude, Dipolar Angle Modulation".  
G. R. Miller  
Orpington,  
Kent.

## Using the 8080 with slow memories

Forcing the 8080A microprocessor to enter an adjustable wait state when addressing slow memory devices, this circuit compensates using a 74193 up/down counter. When the system starts up, the reset signal is forced high for a short period by the reset button. This period is long enough to allow 16 clock pulses ( $\phi 1$  t.t.l.) to be passed to the  $C_U$  input of the 74193 counter if the carry input of the counter is in the high state, i.e. the data output is not in the F (hexadecimal) state.

These clock pulses drive the counter to the F state when the carry output goes low. This sends the counter  $C_U$  input low and sets the ready signal to the 8080. Clocking the counter while resetting the system gives the same results as starting up the system with F as the counter-data output.

When the 8080A c.p.u addresses slow memory devices, the address is sent during the first state of the current machine cycle



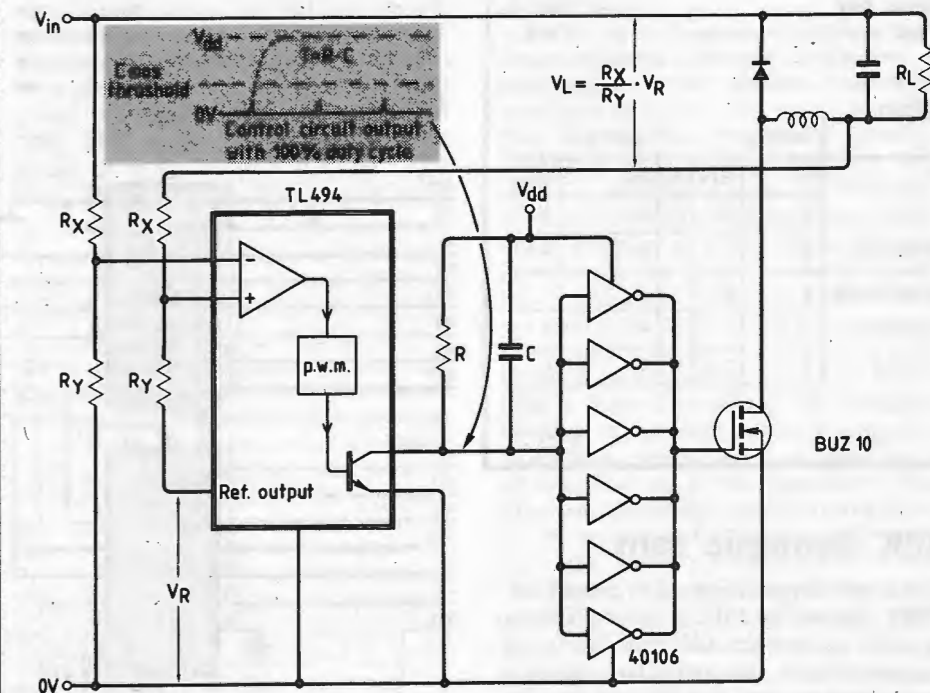
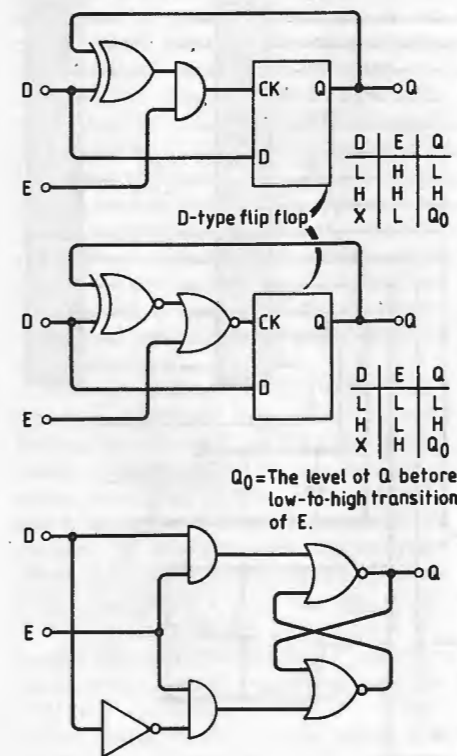
and decoded as an active-high line which drives the converter. At the start of the second machine cycle, the counter load input goes low, causing a hard-wired word at the counter data input to be loaded. Through loading of this word (which should not be F)  $C_U$  goes high, resetting the ready signal and driving the processor into a wait state. From the third machine

cycle, the counter is incremented by one until the output is F, when carry goes low and sets the ready line. Depending on the hard-wired word, the wait state can be extended between one and 15 machine cycles.  
G. A. M. Labib  
Heliopolis  
Egypt

## Alternative latches

Logic circuits often have spare gates. Where latches are required, these two circuits may help to reduce the number of i.cs in a given design. Their standard equivalent is also shown.

Y. Pang  
Worthing  
W. Sussex



## Switching regulator with 0-100% duty cycle

Designed for low-voltage battery-powered systems, this efficient switching regulator relies on a power mosfet's low drain-source resistance. Controllers available have duty cycles less than 95% so the switching element cannot fully conduct with low input voltages. This circuit uses an RC pulse

stretcher to give a 100% duty cycle. Multiple cmos gates provide sufficient power to drive an n-channel fet with low  $R_{ds(on)}$ . To include this device, the standard switch-mode circuit is inverted. Care must be taken not to exceed the common-mode range of the control-circuit op-amp.  
Bryan Inkster  
Egersund  
Norway



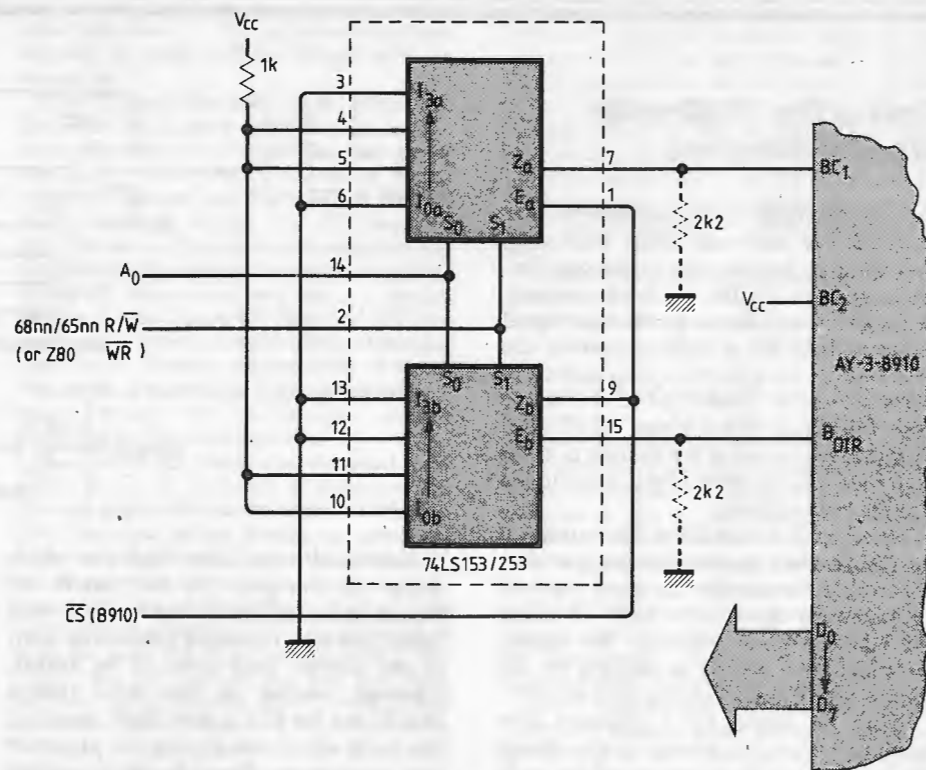
## Sound-generator interface

With a minimum of components, this circuit produces signals required to interface the General Instruments AY-3-8910 sound i.c. to standard 8bit microprocessor buses using a single m.s.i. - t.t.l. device. The output enable of the 74153 dual 4-to-1 multiplexer i.c. provides an inactive bus-control state for the sound-generator i.c., which is disabled when its bus-control inputs are low.

When selected, the multiplexer behaves as a simple rom addressed by  $A_0$  and the state of the R/W line, producing outputs determined by the logic levels on the 74153 inputs. In use, one writes the port address to an odd location and one reads or writes data from an even location.

Resistors shown are pull-downs required if a 74LS253 is used, as this is a three-state output device. A version using a 74LS253 has successfully been used on a 4MHz Z80A system where it was mapped as an i/o port, the auto-wait state feature of the Z80 i/o request ensuring that the timing of signals is longer than the minimum specified in the data sheet. Another has been built into an M6809 system.

M. James  
Herne Bay  
Kent



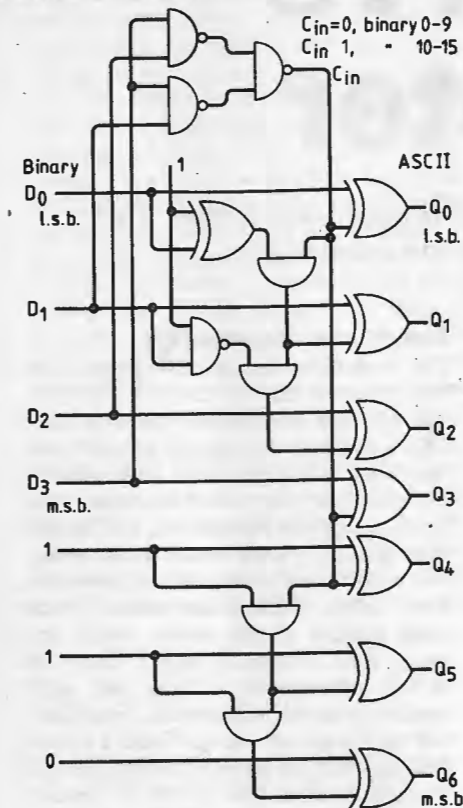
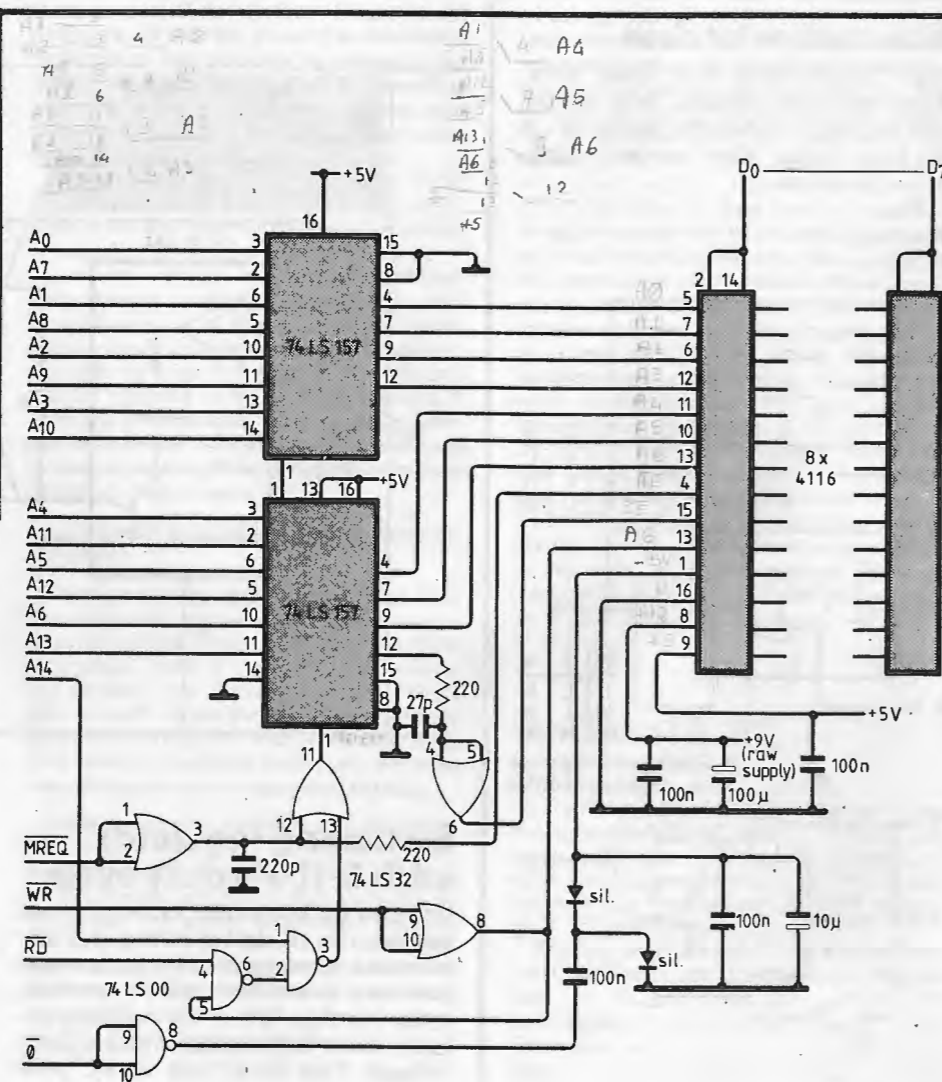
	INPUTS			OUTPUTS	
	$\overline{CS}$	R/W	$A_0$	BC <sub>1</sub>	B <sub>DIR</sub>
Write date	1	X	X	0	0
Write address	0	0	0	1	1
Read data	0	1	0	1	0
Inactive	0	1	1	0	0

## 16K dynamic ram

Cost of this circuit, designed to expand the ZX81 memory by 16K, is around £10 as opposed to between £25 and £50 for a commercial unit. Illustrating how easy it is to use dynamic ram, this memory may be used with any Z80 system with only slight modifications. I did not need a case since my computer is in a large box.

Negative bias, generated by a NAND gate, capacitor and diodes, is only around 3V but this is sufficient. Positive supply to pin 8 of the 4116 rams is taken from the raw supply, hence the 100µF smoothing capacitor.

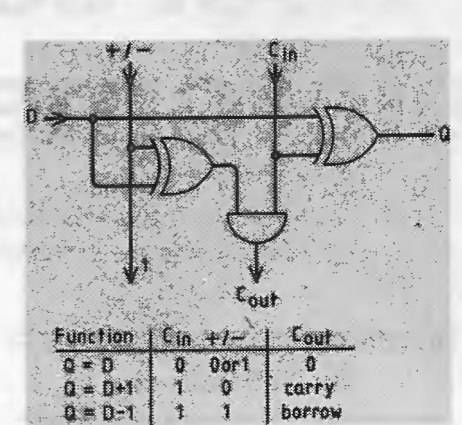
D. G. Jones  
Leamington Spa  
Warwickshire



## Cascadable one-bit arithmetic module

The module shown adds one, subtracts one or transfers the input to the output. Cascaded modules, with  $C_{out}$  connected to  $C_{in}$  of a more-significant module, operate with binary-weighted inputs giving

$$Q_0 2^0 + \dots + Q_7 2^7 = D_0 2^0 + \dots + D_7 2^7 + N$$



where N is plus one, minus one or zero. There are two control inputs,  $C_{in}$  which selects add/subtract or transfer, and  $+/-$  which selects add or subtract. When operation is limited to  $+/- = 1$ , gate<sub>1</sub> may be any inverter and when  $+/-$  is limited to zero, gate<sub>1</sub> may be omitted. The binary-to-ASCII circuit uses  $+/- = 1$  for bits zero to two and  $+/- = 0$  for bits four to six.

R. Merson  
Taunton  
Somerset

Dividing by fractions. Some readers have found the 4722 timer used in this circuit idea (Jan 1983) difficult to obtain. The 4722 may be replaced by an XR-2240 (Exar) or a µA2240 (Texas) without circuit modifications. An XR2212, XR215 or NE565 may be used in place of the p.l.l.

continued from page 35

in terms of continuity - that the potential can always be described in terms of position by means of a smooth, broadly-generalized mathematical curve. A barrier of this type must obviously be completely leak-proof, but this is not what is observed in Nature. The concept may sometimes suffice to describe the behaviour of matter in bulk, but it fails to take into account the essential granularity of matter on the microphysical scale. These barriers are composed of particles. The often-quoted tunnel effect is not to be explained as a manifestation of matter waves, mystically, but by a down-to-earth study of the physical properties of the particles involved as particles, and of the real, physical forces that act between them. The insulator is not quite impervious to current, nor the radioactive nucleus quite stable, given time. That is what the quantum hypothesis implies, and its realisation defines the coverage required of any successful quantum theory of matter.

Now the failure of the wave theory which is evidenced here is a conceptual failure, far more serious than any expositional or mathematical failure. Instead of being just wrong the theory is seen to be utterly wrong, because it is based on the concept of continuity in microphysics which although mathematically convenient is by experiment a false concept. It has failed, in fact, for the same reason that caused electromagnetic theory to fail when faced with Planck's quantization (type one) and its obverse, the photoelectric effect. Moreover there would seem to be no prospect of recovery in either case, because continuity and discontinuity are dia-

metrically opposed in logic: any true quantum theory must therefore be the antithesis of any field theory.\* But whereas electromagnetic theory often provides good and useful analogies, the wave theory of matter consistently offers bad ones. Over and over again we have been misled by it. It has proved to be a bad habit. Should we not consider giving it up?

Probably the most insidious of all Copenhagen doctrines is the doctrine of Completeness, which was concocted from the doctrine of the Observer with the aid of a liberal sprinkling of Indeterminacy. The idea was that as Nature is indeterminate and essentially statistical, and as (quoting Landé before his conversion) it is "unphysical" to dwell on situations that can never be observed, it followed that the Copenhagen quantum theory, which incorporates these restrictions, must be "complete" - the Ultimate Theory of microphysics. Einstein challenged this doctrine on general grounds on its first formulation, but the argument was side-tracked by Bohr into a discussion of the "correctness" of the wave-mechanics (which we can now see to have been an irrelevant issue), and

\*The point may be paraphrased and repeated in view of its philosophical importance. The so-called quantum theory of Copenhagen, involving as it does the concept (and mathematical equations) of waves in a continuous medium, is essentially a field theory. As such, it can by approximation describe the behaviour of matter in bulk, but it is intrinsically unable to cope with any discontinuity or "quantum" - electron or photon. This logical contradiction, both as an expression of and as the root of the duality concept of Niels Bohr, lies at the very heart of the Copenhagen aberration.

the challenge, thus evaded, was eventually allowed to drop.

Earlier in the present sequence, and from a different standpoint to Einstein, I have argued that the premise of the indeterminacy of Nature was almost certainly false and that the observability premise was never more than a doctrinaire, and arbitrary, attitude of mind. Nevertheless, on those very dubious premises the Copenhagen doctrine of completeness claimed, grandiosely, that as this particular, peculiar, probabilistic "quantum theory" cannot explain the fundamental phenomena in microphysics, no theory can. Pulling itself up by its own bootstraps, it had the gall to offer a "logical proof" of this arrogance based on its own misguided self-restriction to statistical treatments. (I am referring to an argument by J. von Neumann). The One True Faith being unable to pronounce on the structure of the electron, it would be sacrilegious for any other theory to presume to try. Such effrontery was amazing, especially when one remembers that Niels Bohr himself had been forced to admit,

"The quantum mechanics deals not with the properties of micro-objects as such but, rather, with nothing more than the relationships between the observable, large-scale phenomena".

One can only suggest, with moderate diffidence, that a theory which was not confined essentially to macroscopic, statistical relationships might be better able to handle the encounters of individual micro-objects, while a theory that took the reality of the physical world more seriously might prove more successful in describing it. This cannot be the end of the road. WW



# Low-cost servo accelerometer

A design simple enough for home construction, yet capable of an accuracy better than 0.1% of full-scale. It can also be used as a precision force balance

In recent years analogue and digital electronics have advanced very rapidly and it is now possible to perform complex manipulations of electrical signals at low cost. Unfortunately these advances in electronics have not been paralleled by similar advances in the design of the transducers required to convert other physical quantities into electrical signals. It is particularly frustrating for an amateur to have a project which he can easily handle electronically but which is stopped by the high cost of suitable transducers.

The acceleration transducer described here was developed as part of an automotive acceleration and braking performance measuring instrument. Other potential uses include an angle-of-heel indicator for a yacht, a precision level, an earthquake detector, a vibration-type car theft alarm and a home intruder-alarm based on measuring the deflections and accelerations of the floor structure. The transducer can also be used to measure forces up to 0.1 newton (0.02lb) directly, or higher values if a suitable lever system is added. In addition to the obvious application to weighing machines the force measurement capability could also be useful for the measurement of low velocity air flows, where the drag of a small vane could be sensed, and for pressure measurements, where a flexible diaphragm could be used to convert the pressure to a force.

## Operating principle

The accelerometer described is based on the servo-balance or force-balance principle. A mass is suspended by a system of flexures which constrain it to move relative to the transducer body only in the direction of the acceleration to be measured (Fig. 1). When the transducer body is accelerated along the sensitive direction the mass will obey Newton's first law of motion and remain at rest. This will produce a relative movement between the mass and the body which is sensed by the displacement detector. The detector output is amplified and applied to an electromagnetic force generator which returns the relative movement between mass and body to zero. The net effect of this feedback loop is that the force generator always applies the appropriate force to the mass to produce an acceleration which is identical to that of the transducer body. Since, according to Newton's second law of motion, the acceleration is directly proportional to the force producing it, the force output of the

by Neil Pollock

electromagnetic generator will be an accurate measure of the acceleration. Further, since for small displacements a moving coil force generator exhibits a highly linear relationship between current and force, the current flowing in the coil will be an accurate measure of the acceleration. This current is conveniently measured by sensing the voltage drop across a resistor in series with the coil. It can be seen that an external force applied directly to the moving mass will be measured in exactly the same way as an applied acceleration.

This simple system would tend to oscillate at a frequency determined by the size of the mass and the effective stiffness of the feedback system. To ensure stability it is necessary to include some mechanical or electrical damping. It is common practice to produce at least some of the damping electrically by incorporating a phase-lead network in the servo amplifier. The servo loop should have the highest possible gain to produce the greatest effective stiffness and therefore the highest frequency response and smallest movement of the suspended mass. Minimum movement of the mass is important because the linearity of all practical force generators deteriorates with displacement. The highest gain that can be used is usually limited by stability considerations.

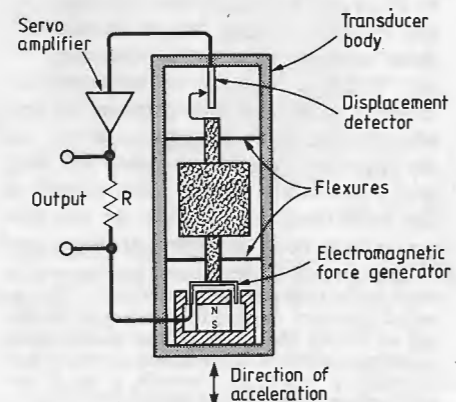


Fig. 1. Outline of the force-balance accelerometer. The e.m.f. generator acts to cancel movement of the mass resulting from acceleration of the transducer body.

## Transducer construction

The transducer design was prompted by the realisation that the magnet and voice-coil out of a loudspeaker make an ideal force generator. An optical isolator/interrupter of the type used for limit switches and end-of-tape indicators was selected for the displacement detector and the flexures were fabricated from a steel guitar string. The remainder of the transducer was made from scraps of aluminium sheet, double sided printed circuit board, solder and epoxy glue. Figures 2 and 3 show the overall arrangement. Since the loudspeakers available to potential constructors will vary in size and design detail, a general description of the construction process will be given rather than a set of detailed drawings.

The most suitable type of loudspeaker is the sort used in pocket transistor radios. The one chosen for the various prototypes had a cone diameter of about 56mm (2.25 inch), a voice coil diameter of 13mm (0.5 inch) and a resistance of 8Ω. In preparing it for use, the first step is to dismember the speaker to obtain an undamaged voice coil and magnet (Fig. 4). To do this, the braided connecting leads should be unsoldered from the voice coil leads where they join the cone. Then the majority of the cone can be cut away using a razor blade and small nail scissors. The corrugated diaphragm normally hidden by the cone can then be cut with a sharp razor blade. The voice-coil can then be lifted clear of the magnet and the remains of the cone and diaphragm cut away. If drilling or cutting is necessary to separate the magnet from the speaker frame, it is a good idea to stick adhesive tape over the magnet gap to prevent the ingress of metal chips. When the magnet is removed all the metal chips, filings and whiskers which will inevitably find their way into the gap must be carefully cleaned out using a needle and a compressed air hose. If everything has been done correctly the voice-coil should drop cleanly into and out of the magnet without sticking.

The next step is to construct the flexure assembly (Fig. 2 and Fig. 5). The moving mass consists of two squares of double-sided printed circuit board slightly larger than the voice-coil diameter, joined together with a countersunk brass screw. For the flexure mounting, two rectangular pieces of the same board are joined with two screws. A clearance hole for fixing is drilled in the centre of the lower piece of

board. On the upper surface of both boards of the moving mass and mounting assembly, the copper coating should be cut back from the screw holes and insulating washers used under the nuts so that the two surfaces are isolated from each other. Next, the moving mass and mounting assemblies should be placed face down on a flat surface so that the flexures, which are cut from a 0.2mm (0.008 inch) steel guitar string, can be soldered in place. The voice-coil can then be glued to the bottom of the moving mass and its two leads connected to the same surfaces as the flexures.

The base board is cut from double sided printed circuit board. This board requires a clearance hole for the voice-coil, a hole for the flexure assembly attaching screw and holes for the mounting screws and lead wires of the two opto-interrupters (Fig. 2 and Fig. 3). The magnet can then be glued to the base board with the magnet gap concentric with the voice-coil clearance hole. The flexure assembly can now be mounted with a spacer of appropriate thickness between it and the base board so that the voice coil is axially centred in the

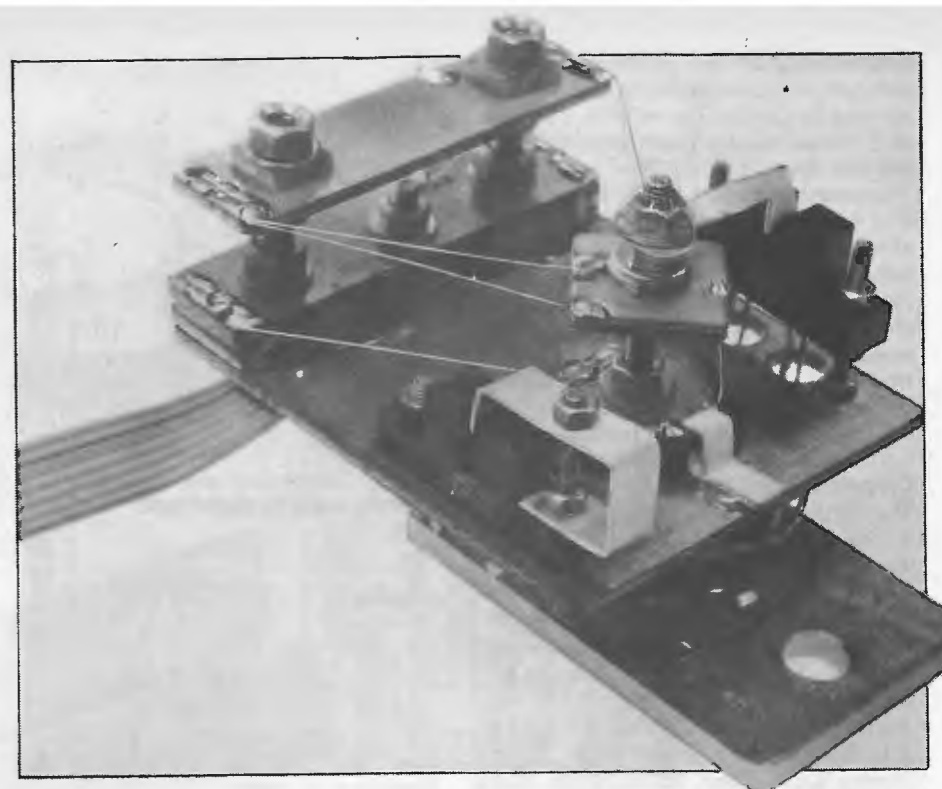
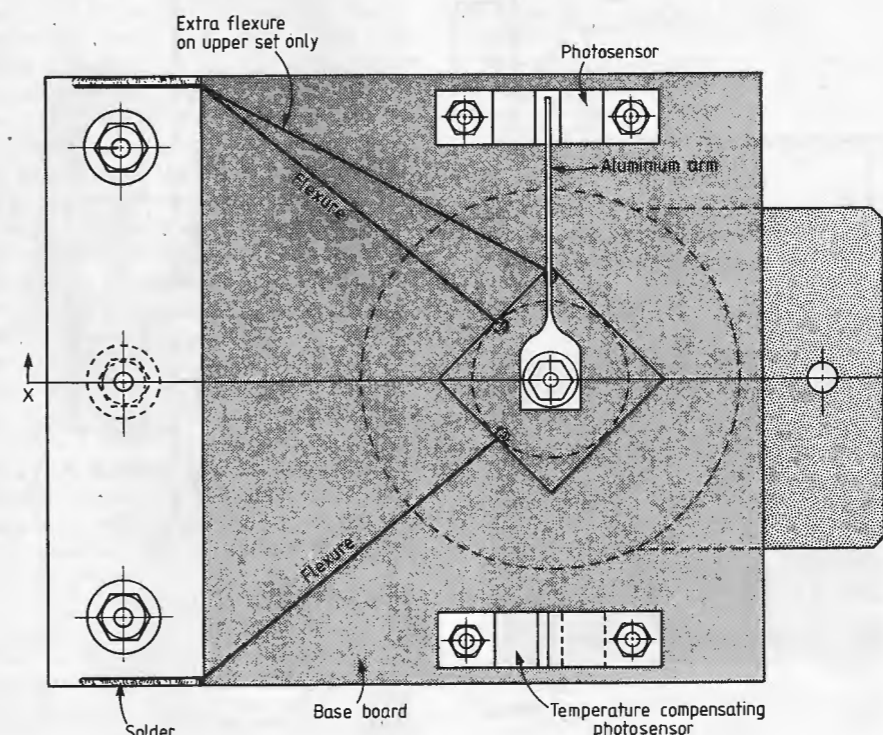
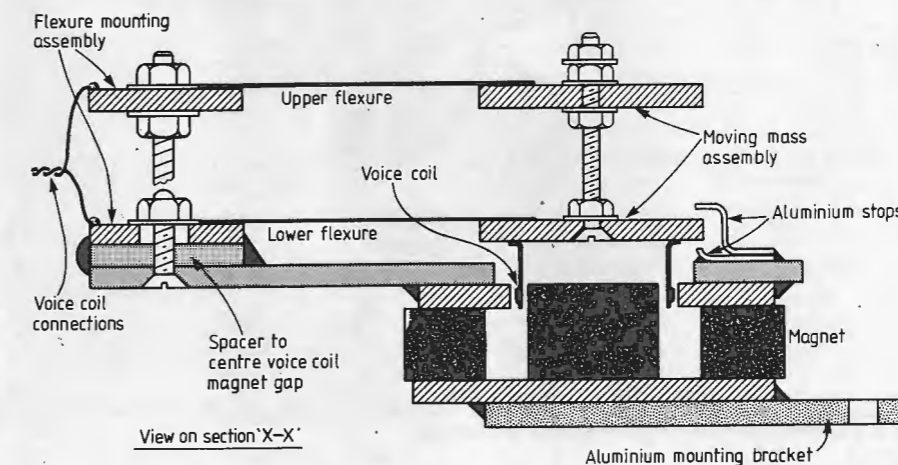


Fig. 3. Completed servo accelerometer. Potential uses include precision levels, earthquake detectors, car theft alarms and home intruder alarms. Opto-interrupter on right acts as a displacement detector; the other is for temperature compensation.



magnet gap with the flexures undeflected. The spacer thickness may be determined by measuring the various pieces prior to assembly.

Mating the flexure assembly to the base is the most critical operation in the transducer construction and the following instructions should be followed closely. Glue the spacer to the base board, then carefully lower the coil into the magnet gap. Insert the screw which secures the flexure assembly to the base and tighten it just enough to prevent the two parts sliding with respect to one another. Make small movements of the flexure mounting until the coil moves freely in the magnet without scraping. When the correct setting is achieved the moving mass will vibrate freely when the base board is stood vertically and gently shaken. At this stage the flexure mounting and base are permanently fixed together by applying a non-shrinking glue around the edges, not by tightening the screw because this will inevitably spoil the alignment and probably damage the coil.

At this stage the hardest part is over and final assembly can proceed. Two stops bent from thin aluminium sheet should be glued in place to limit the movement of the mass to about  $\pm 0.5\text{mm}$  ( $\pm 0.02$  inch) from the flexure-undeflected position. A suitable mounting bracket can be glued to the bottom of the magnet and then the two

Fig. 2. Mechanical arrangement of transducer. The e.m.f. generator is adapted from a cheap loudspeaker unit of the type used in pocket radio sets.



opto-interrupters can be fitted. The temperature compensation opto-interrupter is screwed to the base board with a pre-settable cut-off shutter made from thin aluminium sheet (Fig. 3). The active opto-interrupter is mounted on long screws so that its height above the base board can be altered easily. A thin aluminium flag attached to the centre screw of the moving mass (by tightening the nut gently and then glueing it) extends to the gap in the active sensor. When in use the transducer should be enclosed in a box, both to exclude ambient light and to prevent metal particles finding their way into the magnet gap.

### Circuit description

The circuit diagram for the servo-amplifier is shown in Fig. 6. The two opto-interrupter outputs are applied to unity gain buffers which drive a unity-gain differential amplifier. This amplifier feeds a passive lead-lag compensation network formed by  $C_1$ ,  $R_8$ ,  $C_2$  and  $R_9$  which in turn feeds a variable gain (0 to 30) amplifier. The output from this amplifier passes via Link 1 to a bridge-connected power stage. By removing Link 1 and adding Link 2, an additional amplifier can be brought into the circuit: the function of this amplifier is described below in the section on compensation. A circuit board pattern and component layout are presented in Fig. 7 and Fig. 8. It is possible to mount the circuit board either adjacent to or remote from the transducer, according to the requirements of the application. The system output, which is the voltage drop across  $R_{22}$ , is

Fig. 6. Circuit diagram of the servo-amplifier.  $IC_1$  and  $IC_2$  are quad op-amps, type LM324 or equivalent. Suitable alternatives for opto-interrupter include TIL143, TIL144 and MCT8.  $C_2$ - $C_5$  are tantalum types.

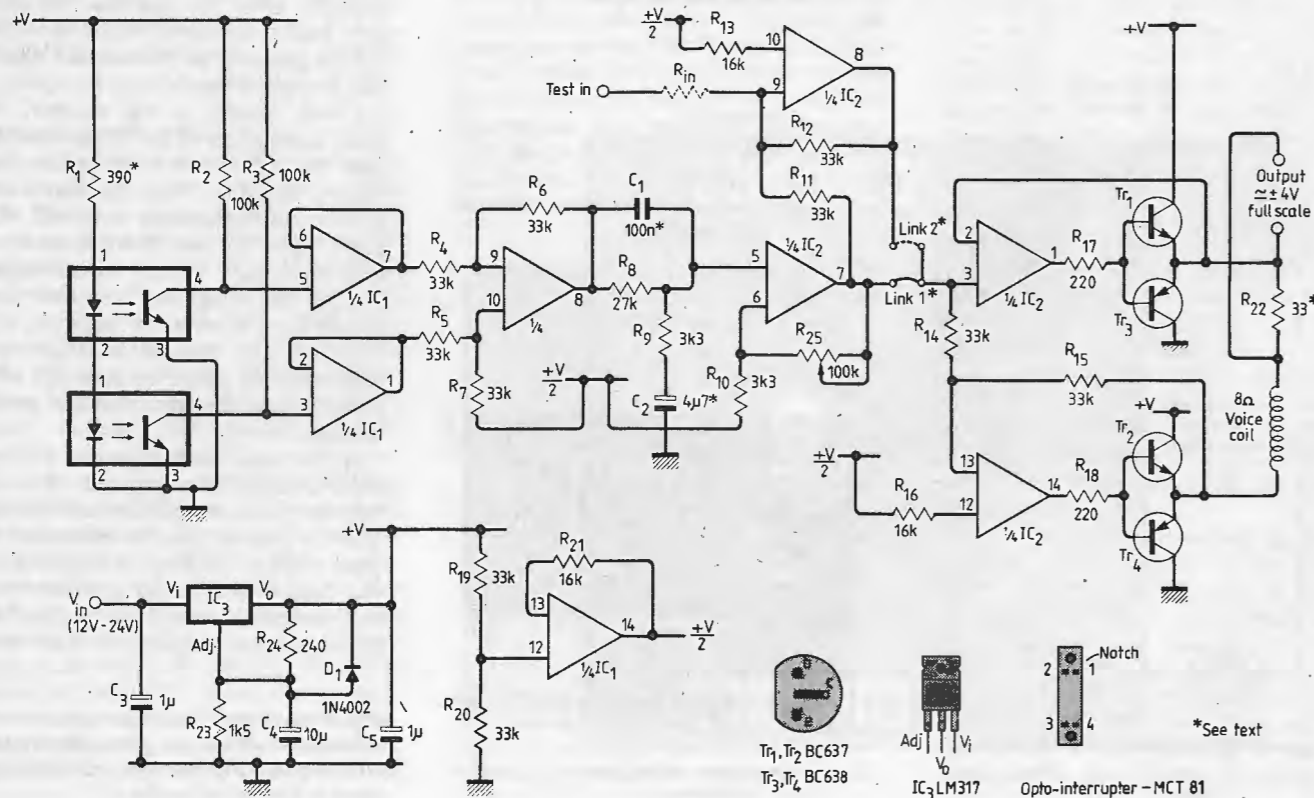


Fig. 4. Loudspeaker unit is prepared by separating the voice-coil from the magnet and cutting away the paper cone.

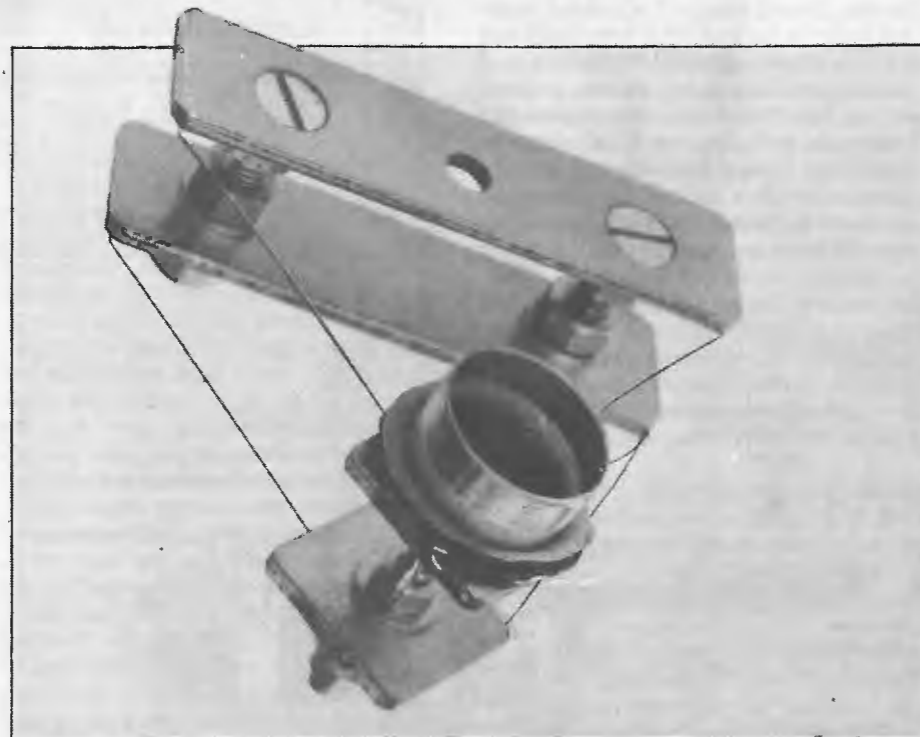


Fig. 5. Flexure assembly, showing voice-coil on top.

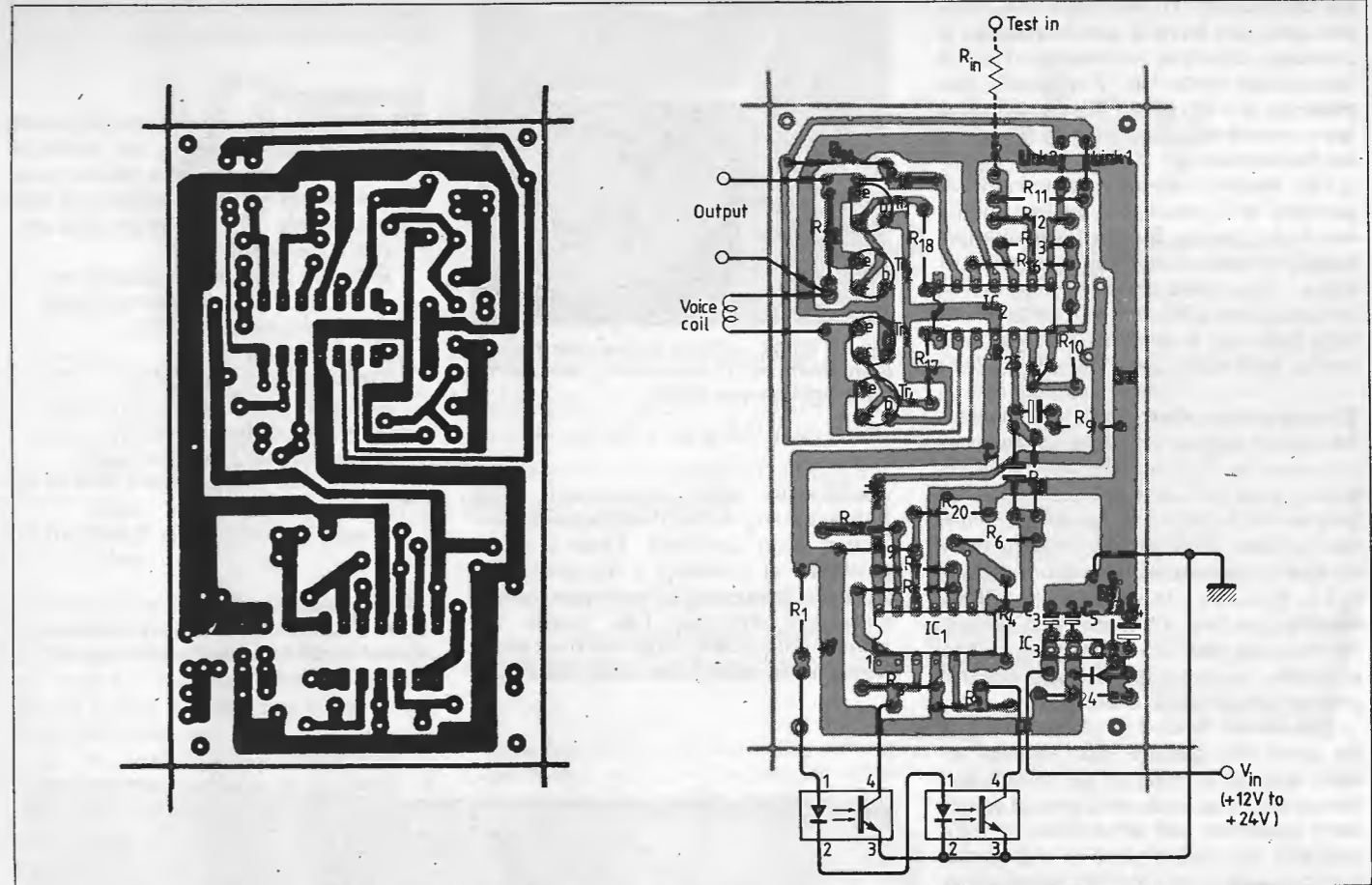


Fig. 7. Circuit-board pattern for servo-amplifier, viewed from track side.

Fig. 8. Component layout for servo-amplifier.

floating and not referenced to ground; a floating meter or a differential amplifier must therefore be used to measure this voltage.

Since the opto-interrupters have widely varying current gains it is necessary to select the value of  $R_1$  for the specific components used. To do this connect the opto-interrupters as shown in Fig. 6 before mounting them on the transducer. With the optical path of the sensors unobstructed, find the maximum value of  $R_1$  for which the output voltage on pin 4 of the less sensitive of the two sensors is less than 0.3V (measured with a meter with an input impedance of at least 1M $\Omega$ ). The value of  $R_1$  found in this way is the appropriate one to use. The output voltage of the more sensitive sensor will be lower than the less sensitive one. To avoid damage to the sensors  $R_1$  should not be less than 200 $\Omega$ . The sensor with the higher gain should be used as the temperature compensator and the one with the lower gain, and therefore the greater linear range of operation, for the moving mass position sensor.

When  $R_1$  has been selected the two sensors can be mounted on the transducer and connected to the servo-amplifier. The cut-off of the temperature compensation sensor should be adjusted so that the voltage on pin 4 is near 4V. The height of the position sensor above the base-board can then be adjusted so the voltage on pin 4 is approximately 4V at mid-travel of the moving mass.

With  $R_{25}$  set to zero, connect the voice-coil and then slowly increase  $R_{25}$ . If the mass moves to either stop and stays there, the sign of the feedback is incorrect and the voice-coil connections must be reversed. If all is well the mass will assume a

stable position between the two stops. As  $R_{25}$  is further increased the moving mass will probably start to oscillate, emitting an audible tone at 100 to 200Hz.  $R_{25}$  should then be reduced until the oscillation just ceases and then approximately halved in value. If necessary the height of the position sensor can be adjusted to centre the moving mass between its stops. If the arrangement of the transducer is similar to the one described this procedure should produce a system with good stability and performance. If the design is altered significantly the compensation network may require changing.

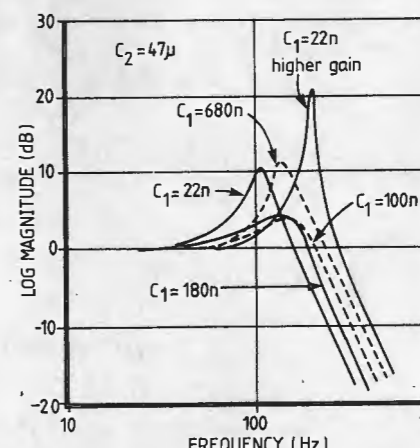


Fig. 9. Altering the value of the lead-compensation capacitors affects the stability and frequency-response of the system.

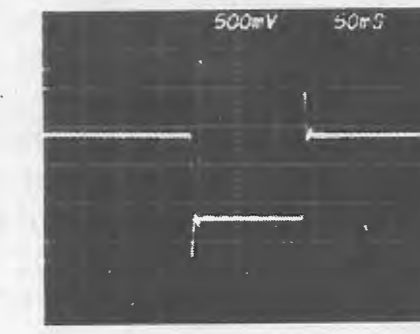


Fig. 10. Step-response of the system with  $C_1 = 180nF$ . A degree of overshoot is visible.

The prototype transducer had a full scale range of  $\pm 2G$ , or  $\pm 0.1$  newton ( $\pm 0.02lb$ ) when used to measure forces. This range was selected so that accelerations of  $\pm 1G$  could be measured while allowing reasonable headroom to accommodate the electrical damping introduced by the phase-lead network. To increase the transducer range  $R_{22}$  should be reduced, taking care not to exceed the voice-coil dissipation limit. To reduce the transducer range  $R_{22}$  can be increased or the moving mass increased in size.

**Compensation**  
The stability of a transducer such as this depends critically on the gain and phase-angle versus frequency characteristics of the servo-amplifier. This problem is dealt with in great detail by books on control system theory. In simple terms the amplifier must produce a phase-lead near the transducer resonant frequency to produce damping. Unfortunately all the networks which produce a phase-lead also introduce a rising gain with increasing frequency and this can lead to unacceptably low gain at



low frequencies. To overcome this problem some gain boost at low frequencies is provided, inevitably accompanied by a destabilizing phase-lag. Fortunately this phase-lag is not critical since the system has a considerable margin of stability at low frequencies.

The desired lead-lag compensation is provided by  $C_1$  and  $R_8$  for the lead and  $C_2$  and  $R_9$  for the lag. Two methods of arriving at appropriate compensation networks will be described, the first of which is suitable for constructors without access to test equipment. Leaving  $R_8$  and  $R_9$  at their normal values set  $C_1$  to a low value (22nF) to provide some minimal damping and  $C_2$  to a large value (47 $\mu$ F) so the lag compensation only has effect at very low frequencies. Increase  $R_{25}$  until audible oscillation occurs, or if it fails to do so increase the gain further by reducing  $R_{10}$ . When oscillation occurs determine its frequency by comparing the note with a piano. Select  $C_1$  and  $C_2$  such that  $1/2\pi R_8 C_1$  is about half the observed resonant frequency and  $R_9 C_2$  is between six and ten times  $R_8 C_1$ . Then adjust  $R_{25}$  to about half the value which produces the onset of oscillation.

The second method of compensation is for those who desire a more detailed insight into the stability of the system and have access to an audio oscillator or square wave generator and an oscilloscope. To optimize the performance of a feedback system it is necessary to apply sinusoidal or step inputs and observe the system response. A summing amplifier has been provided which can be inserted before the power stage by removing link 1 and inserting link 2 (Fig. 6). Since this amplifier inverts, the connections to the voice coil must be reversed when it is in circuit. Any signal (Test in) applied to this amplifier through a suitable resistor ( $R_{in}$ ) will force a current in the voice coil which will have an identical effect to an applied acceleration. Under these circumstances the voltage 'Test in' can be regarded as an input acceleration, and the system output effectively appears at pin 7 of IC<sub>2</sub>. With the aid of an oscillator and an a.c. voltmeter or oscilloscope it is possible to measure the system frequency response. To examine the step response of the system, a square-wave generator and oscilloscope are needed. Frequency response measurements carried out on the prototype system with various values of lead-compensation capacitor  $C_1$  are plotted in Fig. 9. For comparison the step response for two of the cases shown in Fig. 9 are reproduced in Fig. 10 and Fig. 11. The aim is to select a value for  $C_1$  which produces an acceptable response overshoot at the highest possible frequency. When changing  $C_1$  it will be necessary to vary  $R_{25}$ , remembering that increasing gain increases the resonant frequency and reduces the effective damping of the resonance. When a suitable value of  $C_1$  has been determined,  $C_2$  (which should have been initially set to a large value) should be reduced until the measured response just starts to deteriorate. The effect of large excursions of the moving mass should be checked by deflecting it to one of its stops and then releasing it. This is necessary because it is possible to have a

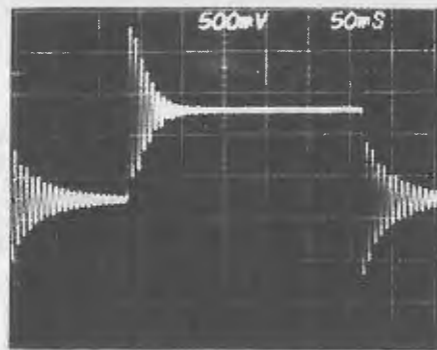


Fig. 11. With  $C_1=680nF$  the servo is grossly under-damped. The value of  $C_1$  selected for the prototype was 100nF.

conditionally stable arrangement which bursts into stop-to-stop low frequency oscillation when disturbed. There is also a possibility of instability if the mechanical resonant frequency of any part of the transducer structure falls within the operating frequency range. All these problems can be sorted out with the aid of

## DESIGN COMPETITION

This is the third month of our competition 'Design an electronic device to help the disabled'. Already, registrations are coming in, and the competition seems certain to bring out some extremely useful equipment to enable physically handicapped people to lead a more independent and fuller life.

This is a worthwhile spare-time activity. The prizes are attractive and the outcome could be more than just a clever design exercise: it could be the means of assisting someone to speak, read, move about or even 'see'.

The rules are set out on page 88: they are few and quite simple. All you need to do in the first place is to register with WW your intention to enter the competition. Think about it — but not for too long, because time is running out.

careful measurements, time, and a good book on control system theory. **WW**

### Performance

The following performance measurements have been carried out on two prototype transducers using precision masses to apply forces and a digital voltmeter to measure the output. The results obtained are:

Full scale output  $\pm 4V$   
Full scale input  $\pm 2G$ , acceleration  
 $\pm 0.1$  newton, force

Resonant frequency 150Hz  
Damping ratio  $\approx 0.3$   
Linearity better than 0.1%  
Zero drift  $\approx 0.01\%/^{\circ}C$   
Sensitivity drift  $< 0.01\%/^{\circ}C$   
Resolution (set by output noise)  
with d.c.-100Hz filter 0.03% of full scale  
with d.c.-10Hz filter 0.003% of full scale

### Background reading

H. K. P. Neubert, Instrument Transducers. Oxford at the Clarendon Press 1963, pp.363-381.

# Viewdata display module

Colour text and graphics in 'level one' teletext format are provided and the display is controlled by either a serial or parallel link from the host computer. With the addition of a modem, the display module can be programmed to display data directly from a viewdata computer.



by Dennis N. Pim

Information received by the display module can be divided into two categories: the first is data transferred directly to one of the rams for immediate display, and the second is data decoded as a command to the display processor.

As the module is software-controlled there is great flexibility in its mode of operation. For this reason the following descriptions of the commands available and software required only apply to my prototype where the module was designed to be connected to a host computer and receive/send data serially at 4800baud. This should demonstrate the capabilities of the module and provide sufficient detail for it to be adapted to other applications.

In the prototype therefore when a data word is received from the host computer, its most significant bit is examined. If it is logic one then the data is treated as a command, if it is logic zero the data is stored directly in the current cursor location of the currently addressed store (which is not necessarily the one being displayed at that instant), and the cursor is moved to the next location in the store. Thus ordinary strings of characters for display (including teletext control commands such as colour/graphics controls) can be sent to the module without intervening commands and will be stored correctly, ready for display.

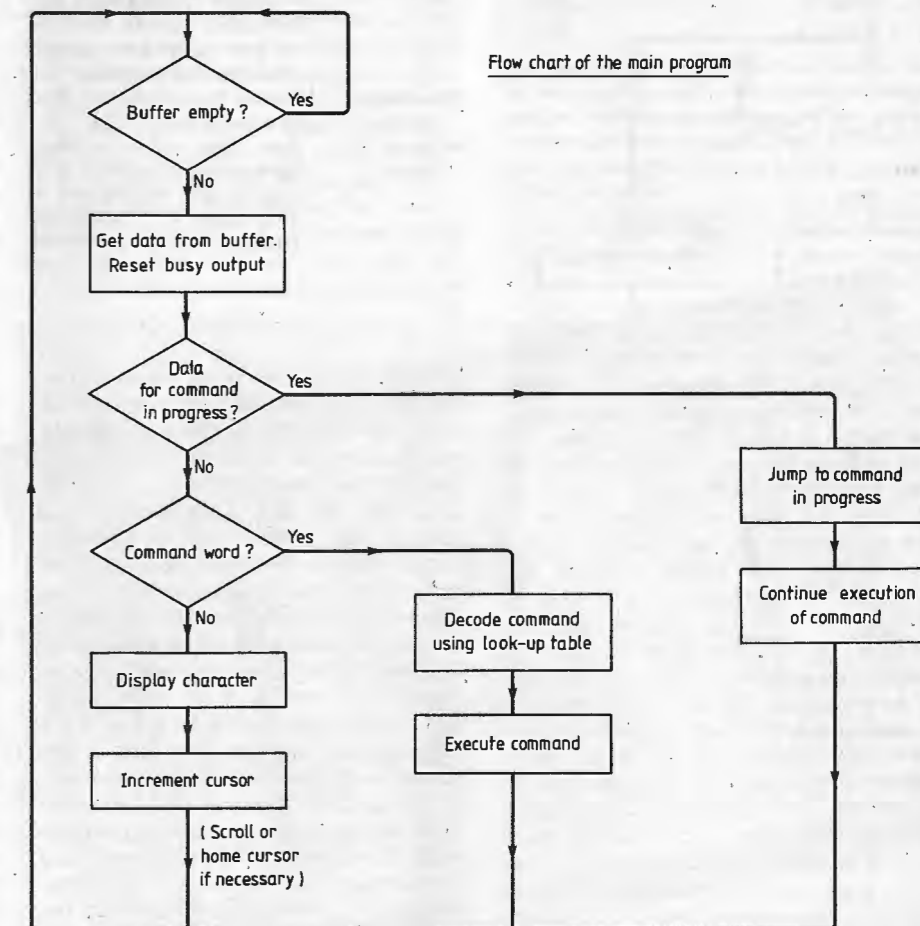
For commands (most significant bit=1) the first five bits of the data are decoded with the aid of a look-up table, and the particular command is then executed. This gives 32 possible commands some of which use the two remaining spare bits of the data word (bits 5 and 6) to provide variations in the particular command.

To preserve compatibility with the codes used in viewdata transmissions, commands such as carriage return and line feed have their usual ASCII codes (only the most significant bit, 7, is set to 1 to indicate a command). Table 1 lists the commands implemented in the prototype. The software required for these fits neatly into the 1K of program rom available in the 8048 processor. Notice that some of the commands require a second or third data word from the host processor before the command can be executed. Notice also that some commands produce output data

to be sent to the host computer, although the module will never output data unless instructed to do so. The commands shown demonstrate the sort of functions that can be performed within the display module to reduce the need of the host computer from having to perform some of the more common display processes.

For specific applications, there are many other display functions that could be implemented in the display module, such as a simple block move routine. This is of course at the expense of some of the other

Photograph shows display module described in April and May issues together with ViCom experimental videotex computer by Deaconhouse Ltd. In its teletext application GIM decoder chip AY-3-7910 is added to the display module. Telesoftware can then be captured into one of the page stores and "dumped" using command 28 to the host computer for execution/processing. The display module is suitable for the 'level one' standard of Prestel, but other display standards can be catered for by changing the display module as appropriate chips become available.





commands as only 1K of program rom is available.

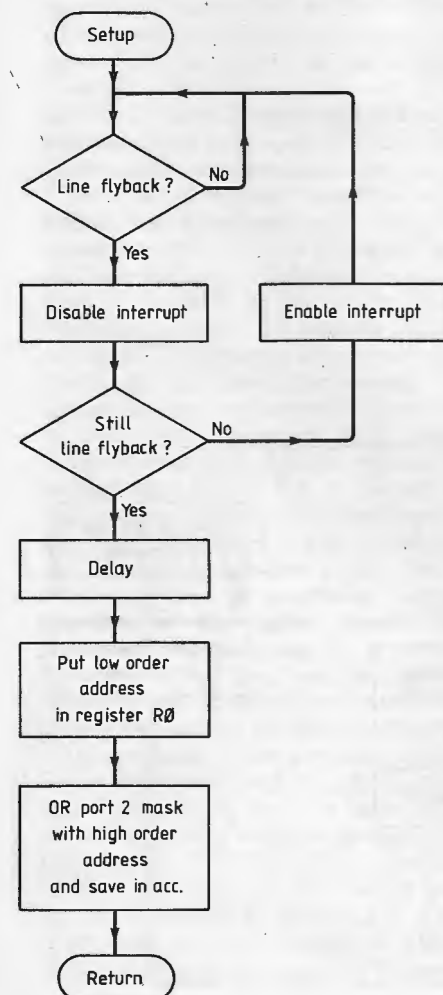
### Software

It would not be instructive to provide a complete assembly language listing of the program as it stands in the prototype; not only is it very lengthy and it contains many complicated programming tricks to reduce the memory requirement to fit into the 1K of program rom available, but it has also been specifically developed to meet my requirements. The software must be tailored to each individual application. However, it is worth explaining the subroutines which access the display rams and send commands to the video generator, as these would be required in any implementation of the display module. A knowledge of 8048 assembly language is assumed in the explanation of these routines.

Firstly though, consider the overall structure of the whole program, see flow-chart. When idling, the processor continually looks at the input buffer waiting for commands or display data. This buffer, consisting of 24 of the ram locations within the 8048, is supplied with data as it arrives from the host processor by the interrupt routine which decodes the serial/parallel data and stores it in the next free buffer location. (Software decodes the serial data stream.)

When the main program detects that a new data word is available it is loaded from

SETUP subroutine



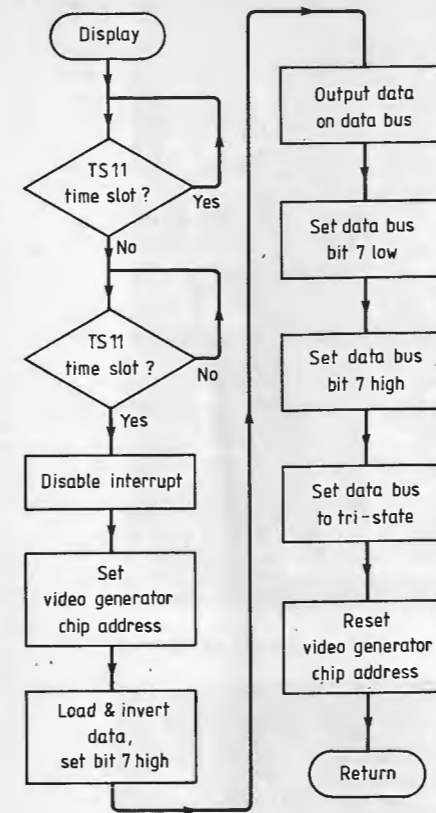
Command	Function
0 Send status	The flag status register in the display module is transmitted. Eight bits interpreted as 0 - scrolling on/off, 1 - scrolling down/up, 2 & 3 - currently addressed store, 4 - cursor on/off, 5 - reveal/conceal control codes at the cursor position <sup>1</sup> , 6 & 7 - currently-displayed store.
1 Scroll	Currently-addressed store scrolled (if scrolling is on).
2 Reset	Display module reset and screen cleared.
3 Read display address	Current cursor row and column position transmitted.
4 Read display memory	Character at cursor position in currently-addressed store transmitted.
5 Write to display memory	Next data word received stored at the current/cursor position (cursor not incremented).
6 Read port	Current state of parallel port (port 1 in the 8048) transmitted.
7 Write port	Next data word received used to set 8 bits of parallel port (serial input only).
8 Backspace	Cursor moved one location backwards <sup>2</sup> .
9 Cursor forward	Cursor moved one location forward <sup>2</sup> .
10 Cursor down	Cursor moved one row downwards <sup>2</sup> .
11 Cursor up	Cursor moved one row upward <sup>2</sup> .
12 Clear screen	Two variations: - whole screen cleared and cursor homed - screen cleared from and including cursor position to end of screen (cursor position unchanged).
13 Carriage return	Cursor moved to the start of current row.
14 Select store	Next data word received determines new store to be addressed, displayed or addressed and displayed. Options determined by settings of bits 5 & 6 in command word.
15 Set display controls	Next data word received sent to display controller to provide half-page expansion and other display options (see Table 2).
16 Set scrolling	Scrolling up and down and on/off flags set. Bits 5 & 6 determine new settings.
17 Cursor on	Flashing underline cursor displayed.
18	No action.
19	No action.
20 Cursor off	Flashing underline cursor not displayed.
21	No action.
22 Set reveal	Reveal control-codes flag set or reset.
23	No action.
24 Cancel	The current row is cleared from and including cursor position to end of row.
25	No action.
26	No action.
27	No action.
28 Dump	Portions of the currently-addressed page store are transmitted from cursor position - to end of page - to end of current row - until match is found with next data word received (or end of page if encountered first). - until number of bytes specified in next data word received have been sent (or end of page if encountered first).
29	No action.
30 Cursor home	Cursor moved to row 1 column 1.
31 Set cursor	Next two data words received define new row and column position of cursor.

the buffer. If this data is not the second or third byte of a multiple byte command, in which case execution of the command in progress continues using the new data received, its most significant bit is tested. If this is zero, the data is assumed to be a character for display and is therefore directly stored at the cursor position in the currently-addressed page store. The cursor position is then incremented by one, which may involve homing the cursor or scrolling the display if the cursor was positioned in column 40 of row 24. If the most significant bit of the data word is set to one, it is a command and the first five bits of this word are used in a look-up table to transfer processing to the required command execution routine. After execution of the command, or displaying the character and incrementing the cursor as necessary, processing is returned to the start of the main program again.

Apart from the scrolling operation, and the clear page function (which requires at least one video frame of 20ms), most of the commands and data display are executed within 800µs. This time is less than the stop bit time of serial data at 1200baud so the module can directly display data from a viewdata computer if required.

I didn't specifically consider the execution time of the program during development and it seems likely that the 800µs time could be reduced by careful program design. There is, however, some unavoidable time wastage of up to 64µs (the time for one video line) each time the processor has to access the display memories. This occurs three times each time a character is stored, once to store the character and clear the cursor bit, once to read the data at the new cursor position, and once to add the cursor bit at this new location without altering the character

DISP subroutine



stored there. However, I am working on a version which combines the last two operations into one line-flyback interval.

In any implementation of the display module, the subroutines to read and write to the page stores during line flyback, and the subroutine to send commands to the video generator will be required. So the operation of these is described next; refer to assembly language subroutine illustration.

The setup subroutine performs two functions. Firstly, it finds the next line sync pulse and secondly it sets up the various registers required for the read or write operations. The timing of this subroutine is carefully arranged so that the next line flyback interval (56µs after the start of the previous line sync pulse, the time at which the video generator frees the address and data buses) occurs immediately after execution of the RET instruction.

On entry into the subroutine, the current cursor address is held in the two memory locations addressed by the contents of registers R0 and R1 (low-order eight bits addressed by R0). Register R6 contains the port 2 mask so that when the high-order address lines are set up on bits 0 and 1 of port 2, the currently-addressed page bits (port 2 bits 2 & 3) are set up correctly, the address latch output is enabled (port 2 bit 4 is set low) and none of the other bits of port 2 are altered.

The flow chart of the subroutine describes its operation. The second test for the line sync pulse is required in case an interrupt occurred after the first test and before the interrupt was disabled (a time window of about 5µs). If this happens the interrupt is enabled again and the processor waits for the next line sync pulse after servicing the interrupt. For the processor

### Components

IC<sub>1</sub> 8048 microcomputer (8748 eeprom version)  
IC<sub>2</sub> 74LS123  
IC<sub>3</sub> 74LS373  
IC<sub>4</sub>, IC<sub>5</sub> 2K×8 static ram (e.g. Fujitsu MB8416)  
IC<sub>6</sub> 74LS125  
IC<sub>7</sub> 74LS04  
IC<sub>8</sub> 9735 video generator\*  
D 1N4148  
R<sub>1</sub>, R<sub>2</sub> 1kΩ all 5%, ¼ watt  
R<sub>3</sub> 27kΩ  
R<sub>4</sub>, R<sub>5</sub> 1kΩ  
R<sub>6</sub>, R<sub>7</sub> 10kΩ  
R<sub>8</sub>, R<sub>9</sub> 10kΩ  
R<sub>10</sub> to R<sub>12</sub> 22kΩ

R<sub>13</sub> 10kΩ  
R<sub>14</sub> 4.7kΩ  
R<sub>15</sub> 10kΩ  
R<sub>16</sub> 22kΩ  
R<sub>17</sub> to R<sub>19</sub> 100Ω†  
R<sub>20</sub> 10kΩ  
R<sub>21</sub> 330Ω  
R<sub>22</sub> 100Ω†  
C<sub>1</sub> 0.1µF  
C<sub>2</sub> 1µF 10V electrolytic  
C<sub>3</sub> 220pF  
C<sub>4</sub> 1nF  
C<sub>5</sub> to C<sub>9</sub> 0.1µF

\* GIM tell us they are unable to supply the video generator i.c. An equivalent device, type MR9735, should be available through Plessey distributors or from Deaconhouse.  
† Incorrectly labelled in circuit diagram.

to execute past the second line sync test, the pulse must be 10µs wide, set by the monostable timing components R<sub>3</sub> and C<sub>4</sub>.

If the host processor starts to send a data word during a read or write operation there may be up to 64µs delay before the 8048 responds, as the interrupt has to be disabled. This won't affect the correct decoding of data at 4800 baud or less and the possibility has been accounted for in the arrangement of the sampling points of the decoding software. Alternatively, for faster rates, or parallel input, the data output line (port 2 bit 7) can be set low during a read or write operation to indicate that the 8048 is busy and cannot accept a new data word.

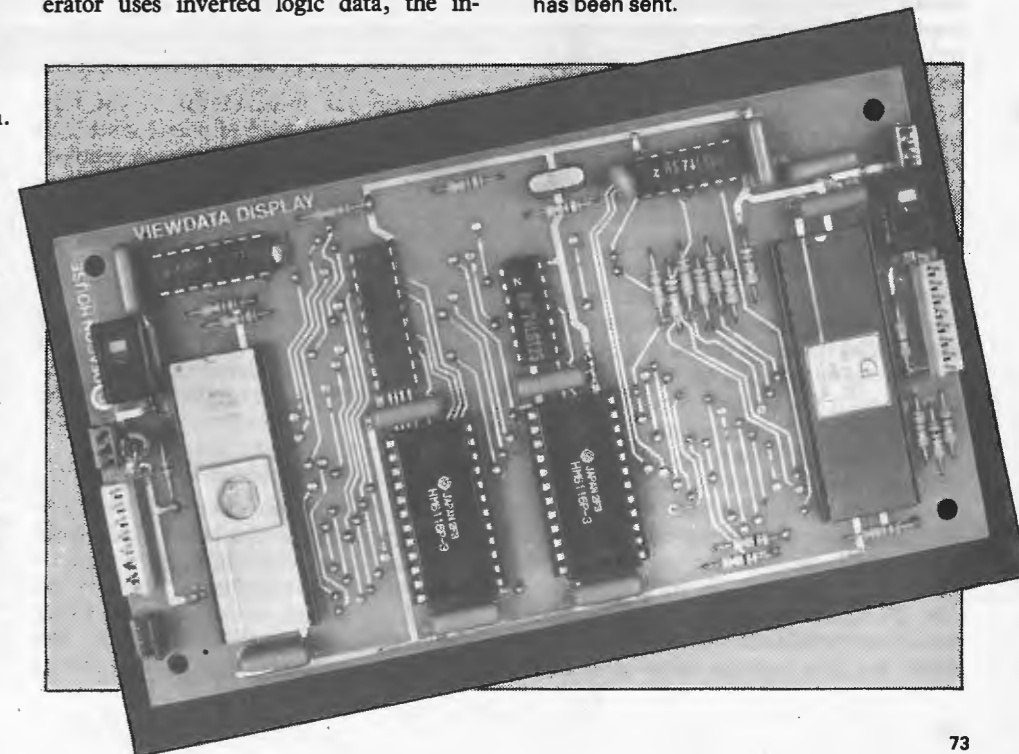
Operation of the read and write subroutines is comparatively straightforward. After calling the setup subroutine, the read subroutine sets the address, page and address latch output enable outputs on port 2 (data and address buses are now free) and uses an external move instruction (MOVX) to read the currently-addressed display ram (the low-order display address held in R0 is automatically latched in IC<sub>3</sub> during execution of the MOVX instruction). Bits 0 to 4 of port 2 are then set to their high impedance state again so that the video generator can have access to the data and address buses again. The resulting data is then inverted, as the video generator uses inverted logic data, the in-

Table 2. Video generator command words - see AY-3-9735 data sheet for full list.

Display function	Hex value
PICTURE ON & PAGE 0	C8
TEXT & SYNC ON	D1
(These commands should be sent in this order on power-up)	
CURSOR ON	A1, B1*
CURSOR OFF	A1, B4*
CLEAR ADDRESSED PAGE	94†
HALF-PAGE EXPANSION	D3
(Cycles top, full, bottom, full etc)	
DISPLAY FUNCTION REVEAL/CONCEAL	HEX VALUE D2
MIX mode	E2
ROUNDING (in interface mode) & FLASHING OFF (for printing etc)	D9
SELECT DISPLAYED	C0 to C3
PAGE	(page 0 to 3)
SELECT ADDRESSED	80 to 83
PAGE	(page 0 to 3)

\* These two command words must be sent in the given order in the same TS11 time slot (the DISP subroutine has a second entry point which bypasses the TS11 tests so that the second word can be sent in the same time slot).

† The display rams should not be accessed for one video frame after this command has been sent.





```

*****
;
; READ SUBROUTINE
;
; READS ONE CHARACTER FROM
; THE CURRENTLY ADDRESSED
; DISPLAY RAM
;
; ON ENTRY - (R0)=CURSOR ADDRESS LOW
;           - (R1)=CURSOR ADDRESS HIGH
;           - (R6)=PORT 2 MASK
;
; ON EXIT - (A)=CHARACTER READ FROM RAM
;
*****
READ: CALL SETUP ;FIND LINE SYNC EDGE &
;SET UP ADDRESS REGISTERS
;SET ADDRESS HIGH, PAGE SELECT
;OUTPUTS & ENABLE ADDRESS LATCH
;OUTPUTS
MOVX A,@R0 ;READ DISPLAY RAM
ORL P2,#1FH ;RESET PORT 2 OUTPUTS
EN I ;ENABLE INTERRUPT (INTERRUPT
;DISABLED IN SETUP)
RET ;RETURN
;
; WRITE SUBROUTINE
;
; STORES ONE CHARACTER AT THE
; CURSOR POSITION IN THE CURRENTLY
; ADDRESSED DISPLAY RAM
;
; ON ENTRY - (R0)=CURSOR ADDRESS LOW
;           - (R1)=CURSOR ADDRESS HIGH
;           - (A) =CHARACTER FOR DISPLAY
;           - (R6)=PORT 2 MASK
;
*****
WRITE: CPL A ;INVERT DATA FOR VIDEO
;GENERATOR
MOV A,R3 ;SAVE CHARACTER IN R3
CALL SETUP ;FIND LINE SYNC EDGE &
;SET UP ADDRESS REGISTERS
;SET ADDRESS HIGH, PAGE SELECT
;OUTPUTS AND ENABLE ADDRESS LATCH
;OUTPUTS
MOV A,R3 ;LOAD CHARACTER FROM R3
MOVX @R0,A ;STORE CHARACTER IN DISPLAY RAM
ORL P2,#1FH ;RESET PORT 2 OUTPUTS
EN I ;ENABLE INTERRUPT (INTERRUPT
;DISABLED IN SETUP)
RET ;RETURN

```

Deaconhouse Ltd, of 57 Guildford Street, Chertsey, Surrey (tel 09328 66015) say they will supply the 85 x 155mm double-sided printed board shown opposite.

Interrupt is enabled, and the subroutine returns.

The write subroutine operates in a similar fashion except the character to be displayed (held in the accumulator on entry) is inverted and stored in register R3 before execution of the setup subroutine. It is then loaded into the accumulator again just before execution of the MOVX instruction to store the character.

The subroutine to send commands to the video generator, called DISP, operates as follows; the first two instructions find the rising edge of the 8048 T1 input - this represents the start of the TS11 time slot when the video generator can receive commands. The interrupt is disabled and bit 5 of port 2 is set low to complete the 1111XX0XXXX address required for the video generator to respond to a command. The command data to be sent to the video generator, held in the accumulator, is then inverted for the DATA bus of the display chip. The most significant bit which acts as a strobe is set high and the data placed on the bus by the OUTL BUS,A instruction. The most significant data bit is then pulsed low (minimum pulse width 4µs) to strobe the data into the video generator.

The data bus then returns to the high impedance state, bit 5 of port 2 is set high impedance again, the interrupt is enabled, and the subroutine returns. Table 2 shows the hex values of the command data required by the video generator to achieve the various display facilities.

These three subroutines are the only ones that would have to be used in any application of the display module. The rest of the program is determined by the application and the functions required of the module.

#### Constructional notes

The original was constructed on a half-Eurocard prototype wiring board. Apart from the usual considerations as to the placement of the decoupling capacitors no special precautions were taken with either the component or the wiring layouts. The only hardware problem met so far is that

```

*****
; SETUP SUBROUTINE
;
; FINDS THE NEXT LINE SYNC
; PULSE AND SETS THE CURSOR
; ADDRESS LOW IN R0, THE
; CURSOR ADDRESS HIGH AND
; CURRENTLY ADDRESSED PAGE
; IN ACCUMULATOR AND RETURNS
; AT THE START OF THE NEXT
; LINE FLYBACK INTERVAL
;
*****
SETUP1: EN I ;ENABLE INTERRUPT AGAIN
;SETUP ;WAIT UNTIL NEXT LINE
;SYNC PULSE
DIS I ;DISABLE INTERRUPT
SETUP2: JTO SETUP1 ;JUMP IF LINE SYNC
;PULSE NOT STILL THERE
MOV A,#3 ;SET DELAY
DEC A ;DECREMENT ACCUMULATOR
JNZ SETUP3 ;JUMP UNTIL (A)=0
MOV A,@R0 ;LOAD CURSOR ADDRESS LOW
MOV R0,A ;SAVE IN R0
MOV A,R6 ;LOAD PORT 2 MASK
ORL A,@R1 ;ADD CURSOR ADDRESS HIGH
RET ;RETURN
;
; SUBROUTINE DISP
;
; SENDS A DISPLAY COMMAND TO THE
; VIDEO GENERATOR
;
; ON ENTRY - (A)=COMMAND CODE TO BE SENT
;
; ENTRY POINT "DISP2" ALLOWS A
; COMMAND TO BE SENT DIRECTLY
; WITHOUT WAITING FOR THE NEXT
; TS11 TIME SLOT - USED FOR
; CURSOR ON/OFF COMMANDS
;
*****
DISP: JT1 DISP ;WAIT UNTIL NOT TS11
;TIME SLOT
DISP1: JNT1 DISP1 ;WAIT UNTIL START OF
;NEXT TS11 TIME SLOT
DISP2: DIS I ;DISABLE INTERRUPT
;ANL P2,#0DFH ;SET VIDEO GENERATOR
;ADDRESS OUTPUT
; (PORT 2 BIT 5 LOW)
CPL A ;INVERT COMMAND CODE
;FOR VIDEO GENERATOR
ORL A,#80H ;SET BIT 7 HIGH
OUTL BUS,A ;SET COMMAND ON DATA BUS
ANL A,#07FH ;SET BIT 7 LOW
OUTL BUS,A ;SET STROBE BIT LOW ON DATA BUS
ORL A,#80H ;RESET BIT 7 HIGH
OUTL BUS,A ;SET STROBE BIT HIGH ON DATA BUS
ORL A,#0FFH ;SET ALL BITS HIGH
OUTL BUS,A ;SET DATA BUS TO TRI-STATE AGAIN
ORL A,#20H ;RESET VIDEO GENERATOR
;ADDRESS OUTPUT
EN I ;ENABLE INTERRUPT
RET ;RETURN

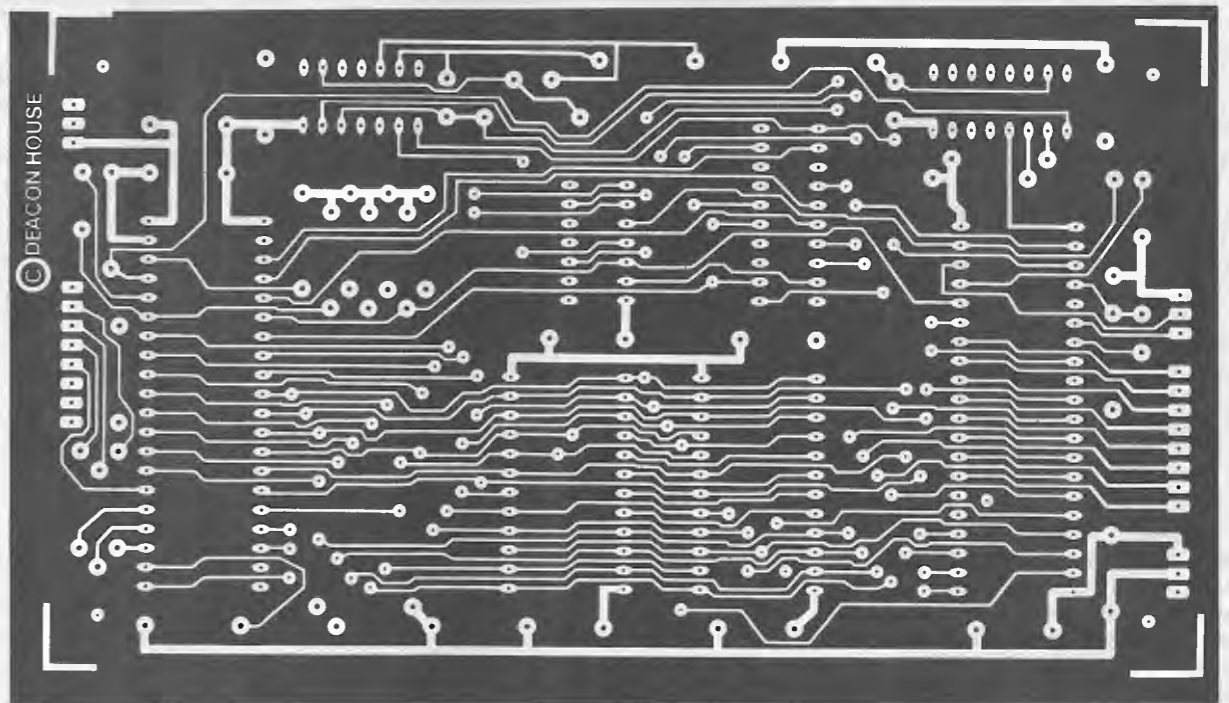
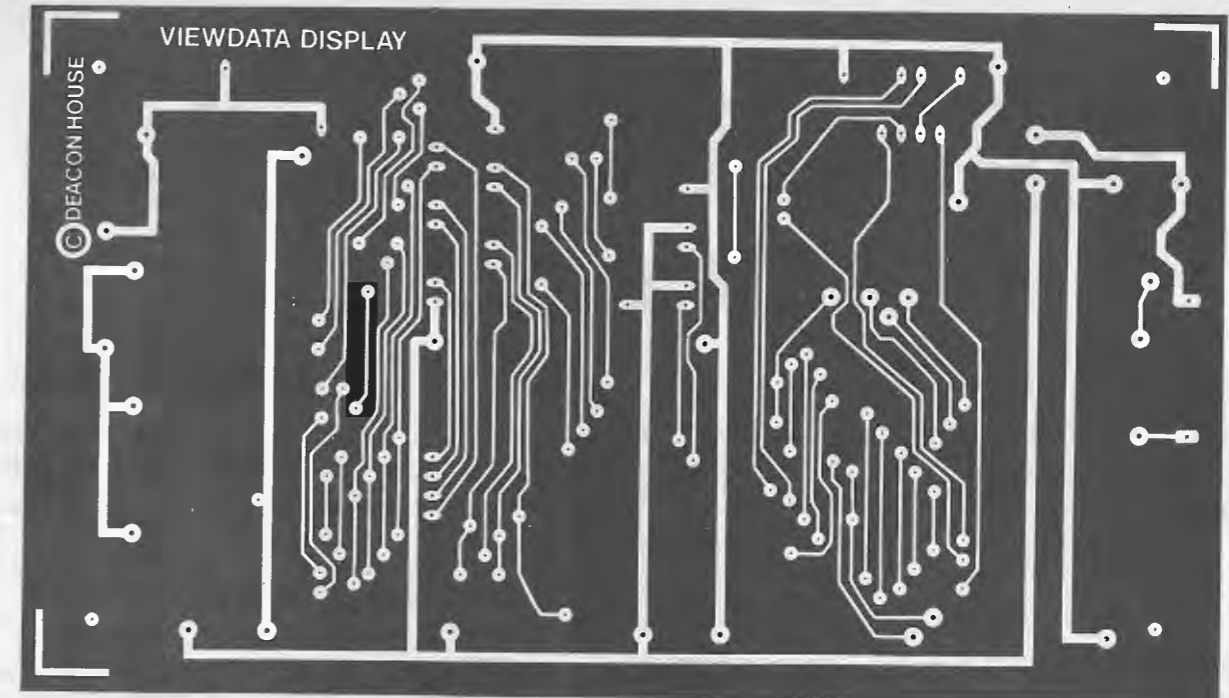
```

the video generator i.e. sometimes does not power-up correctly. On the software side, I recently used different versions of the display generator - one which automatically displays the cursor when initially set to the text mode and one which does not. Both problems appear to stem from the use of pre-production prototype display generators, and I do not envisage these occurring with production i.cs.

#### Stand-alone viewdata decoder

The following notes are intended as a guide to those who wish to use the module to directly decode the 1200baud serial data arriving from a viewdata computer. I have not tried these modifications.

The first consideration is whether the module can be constructed and programmed to transmit 75baud data to the viewdata computer as well as receive the



1200baud data. It is possible to connect a keyboard with a parallel ASCII output to the parallel port on the module, and use the data out line (port 2, bit 7) as the 75baud data line. The most significant bit of the parallel port could be used as a keyboard strobe (the strobe pulse width should be arranged to be less than the transmit time of one 75baud character, but longer than the transmit time of one 1200baud character, i.e. between about 10ms and 100ms. This ensures that the strobe will be recognised even if it occurs whilst a character is being received). The problem with this method is that if a character is received whilst one is being transmitted, the transmitted character will be corrupted because the processor will be interrupted by the incoming character. To ensure full duplex operation therefore, it

may be wiser to employ a separate uart to generate the 75baud signal.

On the software side, the following changes would have to be made.

- Change the software delays in the interrupt routine to decode 1200 baud data rather than 4800.
- Change the serial transmit routine delays to send 75baud data (if port 1 is used to connect the keyboard).
- Perform a parity check on the incoming data using the most significant bit and display the parity error character (7F hex) if an error occurs.
- Change the command look-up table to perform only the required viewdata cursor controls (such as back space, carriage return, clear screen, etc).
- Set a flag on receipt of an ESC code.

- If the ESC flag is set convert the next received character (if it is between 40 hex and 60 hex) to a teletext control code (clear bit 7 of the character) and display it, or ignore it if it is not in the above range. The ESC flag is then cleared.
- On receipt of the ENQ character (05 hex) to send the required log-on data (which should be programmed into the 8748 rom).

To have enough program space to incorporate these changes would require the deletion of some of the editing facilities described in Table 1, such as scrolling, part clear, or dump.

A modem would of course be required in any stand-alone application of the display module to transmit/receive the correct f.s.k. signals.



# Digital filter design procedure

These examples of the design of a simple digital filter and, in contrast, that of a digital version of a fourth-order Butterworth filter, show how laborious mathematics may be simplified and the "recurrence formula" for the filter written without having to solve a fourth order equation.

Many digital filters can be designed simply on their own merits. But in the case of the digital equivalent of an analogue filter, such as the Butterworth filter, the situation is complicated by the need to use a bilinear transformation, resulting in laborious algebra. This can be largely avoided for a fourth-order filter by following this procedure, substituting cut-off and sampling frequency values, and by using the tabular form suggested.

The end product of filter design procedure is the recurrence formula in a form which can readily be entered into the computer or micro processor program that constitutes the filter. In addition it is desirable to plot the  $j\omega$  frequency spectrum in terms of the sampling frequency to check that the filter has the desired characteristics.

Two starting points are considered:

- where the z-transfer function and hence the z-plane diagram can be formulated from a comparatively simple requirement. The example described is the digital equivalent of a simple tuned circuit.
- where the z-transfer function and the z-plane diagram have to be derived from an analogue filter using a bilinear transformation. The example chosen is

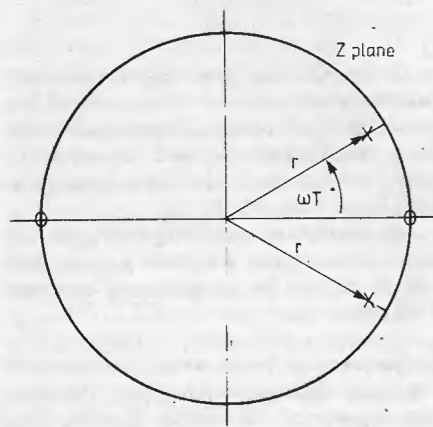


Fig. 1. Z-plane diagram of the digital equivalent of a tuned circuit. Angle represents the resonant frequency and is  $\frac{1}{2}$  of the sampling frequency, which is represented by one revolution round the unit circle.

by J. T. R. Sylvester Bradley

the digital equivalent of a Butterworth low-pass filter.

The two examples are worked in full. In the second example the algebra is laborious and unavoidable but some short cuts are

suggested. It shows that if a digital filter is designed as an equivalent to an analogue filter, coefficients are generated which in most cases require sophisticated arithmetic in the microprocessor. It is often preferable to design a digital filter so that the coefficients can be kept as simple as the hardware requires. (In the Butterworth filter fractional coefficients with a required accuracy of 3 decimal places are unavoidable.)

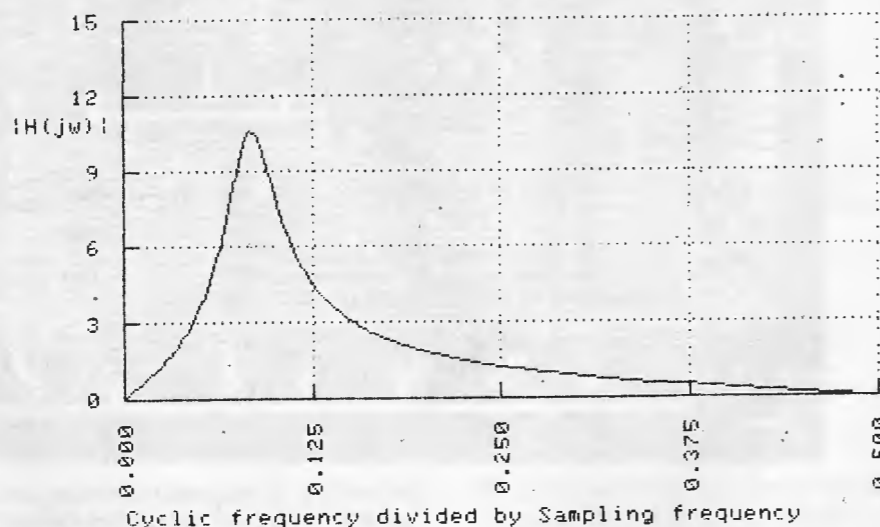


Fig. 2. Response  $|H(j\omega)|$  of the filter in Fig. 1 is plotted against frequency divided by sampling frequency.

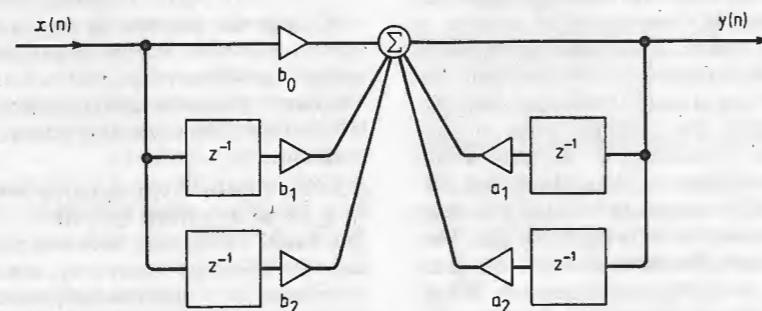
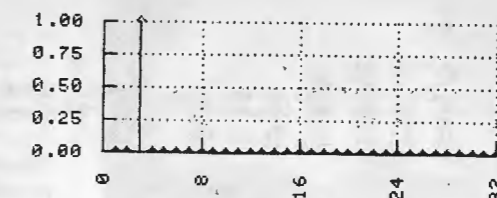


Fig. 3. Realization diagram shows how the microprocessor performs the signal processing. Boxes labelled  $z^{-1}$  are delays of one clock pulse and the small triangles are multipliers (or dividers) by the coefficients shown.  $x(n)$  is the input sample at the instant "now" or "n", and  $y(n)$  is the output sample at the same instant.

Output Values

0  
0  
0  
1  
1.56  
.6236  
-.290784  
-.950739  
-1.2601  
-1.18917  
-.834433  
-.338484  
-.147856  
.504827  
.667767  
.632807  
.446287  
.183634  
-.0750228  
-.26578  
-.353848  
-.336721  
-.238668  
-.0995782  
.0379791  
.139906  
.18749  
.179161  
.127624  
.0539729  
-.0191775  
-.0736349

INPUT



$$y(n) = b_0 \cdot x(n) + b_1 \cdot x(n-1) + b_2 \cdot x(n-2) + a_1 \cdot y(n-1) + a_2 \cdot y(n-2)$$

OUTPUT

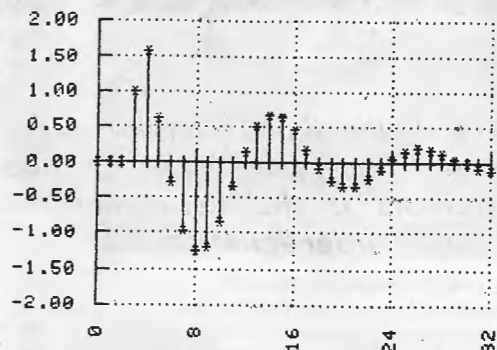


Fig. 4. Input of 32 samples is shown with the corresponding output as (a) a column of values on the left and (b) as a diagram, for the filter whose recurrence formula is shown between the input and output diagrams. A single pulse is shown as the input, resulting in a decaying oscillation at  $\frac{1}{2}$  of the sampling frequency.

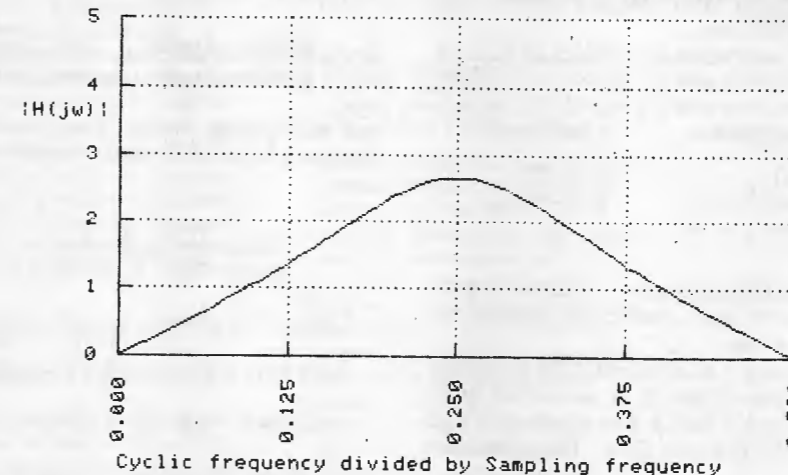


Fig. 7. Flatness or low Q shown in the response curve is a result of choosing very simple arithmetic.

## Method

The process for the design of a digital filter is

- choose a suitable transfer function
- derive the recurrence formula from the transfer function
- write the recurrence formula into the program for the relevant hardware (computer or microprocessor) that will be used to make the filter.

Of these it is the choice of transfer function that causes difficulty. Often a z-plane diagram can be drawn as a step toward the choice of transfer function. In addition a  $j\omega$  frequency spectrum is needed so that one can see whether the filter will meet the requirements of bandwidth and so on; this is derived from the z-plane diagram. In the first, simple case the design almost begins and ends with the z-plane equivalent of an analogue circuit, whereas in the second example, in which a digital version of But-

terworth filter is designed, the z-plane diagram and frequency spectrum are derived from a Butterworth s-plane diagram involving a bilinear transformation, and the algebra is more involved.

The recurrence formula is usefully illustrated as a realization diagram, shown for each example. Finally, in each case the operation of each filter is demonstrated by generating the impulse response using a desk-top computer and a simple Basic program to give input and output signal diagrams.

## Design digital filter equivalent to a parallel tuned circuit

The tuned circuit will have one pole-pair only, at its resonant frequency, and we can assume zeros at zero frequency and at infinity. To be stable, the poles must lie within the unit circle on the z-plane. (In other words the analogue circuit must contain some resistance.) The position of the

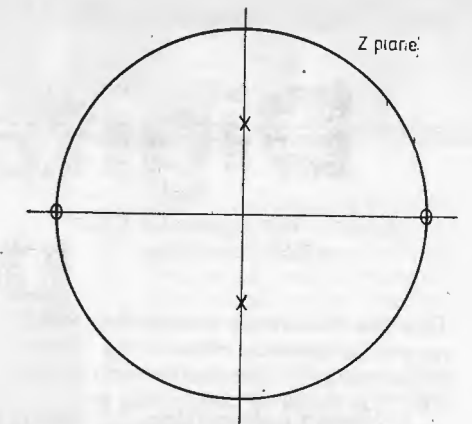


Fig. 5. Z-plane diagram has been chosen with very simple ratios to simplify arithmetic in the microprocessor.

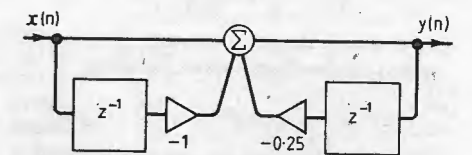


Fig. 6. Realization diagram only contains one multiplier with a coefficient of  $\frac{1}{4}$ , so the arithmetic in the microprocessor is very simple.

poles is dictated by the resonant frequency in relation to the sampling frequency, and to the Q required.

Two examples are worked, one with pole positions chosen arbitrarily with the resonant frequency any value less than half the sampling frequency, and the other with pole positions chosen for arithmetic simplicity with a simple microprocessor in mind (e.g. the MMD1).

## Step 1 - draw the z-plane diagram.

Suppose the sampling frequency has already been chosen as  $12 \times f_0$ , where  $f_0$  is the required resonant frequency of the tuned circuit. The digital filter is designed by locating a pole on the z-plane at an angle of  $\frac{1}{12}$  of a revolution, as one complete revolution of the z phasor represents the sampling frequency. There will automatically be another pole at an angle of  $-\frac{1}{12}$  of a revolution, as the poles come in conjugate pairs. The radius of the poles ( $\exp \sigma T$ ) has been chosen arbitrarily as 0.9 to give an adequately peaky response, without instability. Two zeros are added, at zero frequency and at maximum frequency ( $\frac{1}{2}$  the sampling frequency) to correspond with zeros at zero frequency and infinite frequency for the analogue circuit, Fig. 1. The  $j\omega$  spectrum or cyclic frequency response  $|H(j\omega)|$  is found directly from the z-plane diagram and is shown in Fig. 2.

Because the transfer function  $H(z)$  is zero when  $z = +1$  or  $-1$  (the zeros) and is infinite where  $z = r \cdot \exp j\omega T$  (the poles), the transfer function can be written down directly as

$$H(z) = \frac{(z+1)(z-1)}{(z-r \exp j\omega T)(z-r \exp -j\omega T)}$$



**Step 2 - find the recurrence formula.**

$$H(z) = \frac{Y(z)}{X(z)} = \frac{z^2 - 1}{z^2 - 2r z \cos \omega T + r^2}$$

$$\therefore Y(z) \cdot z^2 - Y(z) \cdot 2r z \cos \omega T + Y(z) \cdot r^2 = X(z) \cdot z^2 - X(z)$$

This can be directly transformed to the recurrence formula, since if the present output sample is  $y(n)$  then the next sample  $y(n+1)$  is found by multiplying by  $z$  (one clock pulse), and the previous sample  $y(n-1)$  by dividing by  $z$ . Thus

$$\begin{aligned} Y(z) & \cdot z & y(n+1) \\ Y(z) \cdot z^2 & y(n+2) \\ Y(z) \cdot z^{-1} & y(n-1) \end{aligned}$$

and so on. So the equation becomes

$$y(n+2) - 2r \cos \omega T \cdot y(n+1) + r^2 \cdot y(n) = z(n+2) - x(n)$$

The present output sample  $y(n)$  in terms of present and previous input samples,  $x(n)$ ,  $x(n-1)$  etc can be found by dividing  $z^2$ , and putting  $r=0.9$  and  $\omega T=30^\circ$  gives  $y(n)=$

$$1.56 \cdot y(n-1) - 0.81 \cdot y(n-2) + x(n) - x(n-2)$$

The recurrence formula in this form can be used as the digital filter within a suitable program.

The general form of the recurrence formula for a second-order filter is

$$y(n) = b_0 \cdot x(n) + b_1 \cdot x(n-1) + b_2 \cdot x(n-2) + a_1 \cdot y(n-1) + a_2 \cdot y(n-2)$$

Its realization diagram is shown in Fig. 3, and in this example the coefficients are

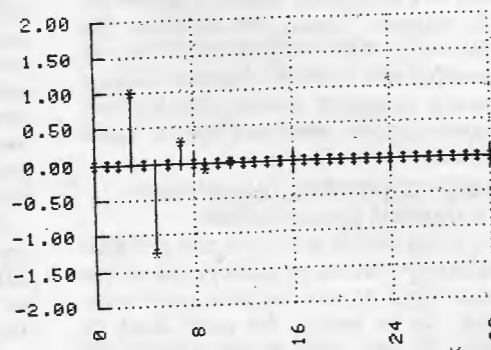
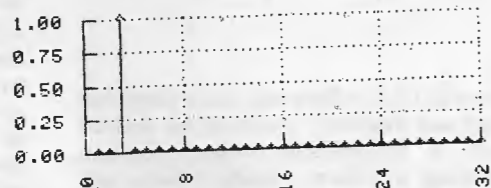
**Output Values**

- 0
- 0
- 0
- 1
- 1.25
- 0
- .3125
- 0
- .078125
- 0
- .0195313
- 4.08281E-03
- 0
- 1.2207E-03
- 3.05176E-04
- 0
- 7.62939E-05
- 1.90735E-05
- 0
- 4.76837E-06
- 1.19209E-06
- 0
- 2.98023E-07
- 7.46050E-08
- 0
- 1.86265E-08

INPUT

$$y(n) = b_0 \cdot x(n) + b_1 \cdot x(n-1) + b_2 \cdot x(n-2) + a_1 \cdot y(n-1) + a_2 \cdot y(n-2)$$

OUTPUT



**Fig. 8.** Oscillation caused by the impulse at the input soon dies away, as one would expect from a low-Q circuit.



J. T. R. S. Bradley is currently principal lecturer and head of the telecommunications technology group in the School of Signals, Blandford Camp, a post he has held since 1975. Graduating from Corpus Christi College, Cambridge, he served in the Royal Corps of Signals from 1942 to 1966, when he retired (as a major) to become a lecturer at the School of Signals, then at Catterick Camp in Yorkshire.

x coefficients      y coefficients

$$\begin{aligned} b_0 &= 1 & a_1 &= 1.56 \\ b_1 &= 0 & a_2 &= -0.81 \\ b_2 &= -1 & & \end{aligned}$$

The x-coefficients relate to the zero positions, while the y coefficients relate to the pole positions.

The output is of course a list of sample values, which has to be converted to an output signal with a d-to-a convertor and (usually) a low-pass filter. The values and

output signal in sampled data form are shown at Fig. 4 for a single unit input, and is the impulse response of the filter. As expected, the output oscillates at  $\frac{1}{2}$  of the sampling frequency and decays exponentially.

**Design filter with simple arithmetic suitable for a primitive microprocessor**

Sampling frequency, resonant frequency, and damping factor must be chosen so that they relate by simple ratios. In this case the pole positions are chosen so that they are at  $\frac{1}{2}$  the maximum frequency (i.e. at an angle of 90 degrees) and at a radius of  $\frac{1}{2}$ , Fig. 5. The poles are at  $+j0.5$  and  $-j0.5$ , the zeros are at  $+1$  and  $-1$ .

$$H(z) = \frac{z^2 - 1}{z^2 - 2r z \cos \omega T + r^2}$$

as before but  $r=0.5$  and  $\cos \omega T = \cos 90^\circ = 0$

$$\therefore H(z) = \frac{z^2 - 1}{z^2 + .25}$$

Alternatively this could be found by describing the transfer function in terms of the poles and zeros as follows:

$$H(z) = \frac{\text{position of zeros}}{\text{position of poles}} = \frac{(z+1)(z-1)}{(z+j0.5)(z-j0.5)}$$

and multiplying it out. The recurrence formula is obtained from the transfer function:

$$H(z) = \frac{Y(z)}{X(z)} = \frac{z^2 - 1}{z^2 + 0.25}$$

$$\therefore Y(z) \cdot z^2 + 0.25 Y(z) = X(z) \cdot z^2 - X(z)$$

$$\therefore y(n+2) + 0.25 y(n) = x(n+2) - x(n)$$

$$\therefore y(n) = x(n) - x(n-2) - 0.25 y(n-2)$$

Fig. 6 shows the realization diagram, Fig. 7 the spectrum and Fig. 8 the impulse response. The filter was designed with the very simple arithmetic of a primitive microprocessor in mind, limiting the processes to addition, subtraction and multiplication or division by two only. The result is a response curve which is too flat, Fig. 7. Of course a sharper response can be obtained with only a modest improvement in the arithmetic, as in the first example in which the coefficients are 1.56 and  $-0.81$ .

To be concluded with fourth-order Butterworth filter design.

# NEW PRODUCTS

## POWER ANALYSIS

Three displays are available on the 636 multifunction power analyser. The first two display voltage and current but the third shows a function selected from a push-button panel. The selected function may be watts, watthours, vars, varhours, volt-ams, power factor, phase angle and frequency.

The resolution of the instrument is 0.01% of full scale with an error of  $\pm 0.05\%$  of full scale. It will give true r.m.s. readings of sinusoidal or distorted waveforms at a frequency range of 40 to 400Hz.

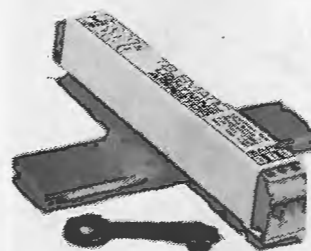
Voltage and current inputs are fully isolated with voltage ranges from 15 to 600V in six ranges with five significant figures; current is measured in nine ranges from 25mA to 55A.

A wide range of applications are possible with the instrument. They include calibration standards for meters and transducers; measurement of losses in transformers, inductors and motors; non-destructive testing of soft magnetic materials; power factor measurement in reactive loads; measuring phase; checking line-frequency stability; measuring the efficiency of lighting and heating circuits. Wessex Electronics Ltd, 114-116 North Street, Downend, Bristol BS16 5SE. **WW301**

## LIGHTNING ARRESTED

According to many sources, lightning strikes can generate up to 200A of surge current lasting for, typically 5µs, in an overhead line. The SA series of surge arrestors form Telematic are capable of withstanding 5kA peaks for over 10ms. While this is happening at the 'line' side of the arrestor, the 'safe' end remains at predetermined levels, safe for semiconductor circuitry. In the event of a surge greater than the design of the device, a 'fail-safe' mechanism will short circuit the input and isolate any series elements.

Thus modems, duplexers, two-wire transmitters, control loops, exchanges and all data transmission ports are fully protected. The arresters are approved for use with



British Telecom equipment. Physically small, 168mm long, the arrestor is bolted to an earthed busbar by a single bolt. Several arrestors can be mounted together and for outdoor use, weatherproof boxes are available. Telematic Ltd, 49 Hazelwood Drive, St Albans, Herts AL4 0UP. **WW302**

## TAPE NOISE REDUCTION

A tape compatibility unit, the TCU 3000a, is the first product of a new British company, Tardis Ltd. It claims to eliminate tape hiss entirely. The circuit is a two-to-one compander using an averaging system with treble pre- and de-emphasis. It is based around the Signetics NE570N dual compander chip, which can be switched to encode or decode.

High-frequency noise pumping, which is a problem with most compansion systems, is minimized by boosting the components of the signal above 2kHz by 12dB prior to encoding. Low-frequency pumping is reduced by a -12dB attenuation filter in series with the variable gain cell.

Tape saturation is avoided both by the two-to-one compansion system and by the introduction of a bandpass filter.

The performance figures claimed for the machine include a 40dB noise reduction, total harmonic distortion of 0.1% over the whole encode/decode cycle with a frequency response level between 30Hz and 30kHz. The dynamic range is claimed to be doubled.

The unit is connected between an amplifier and a tape recorder by phono plugs and it is not suitable for DIN level machines. It may only be used in one direction at a time - either record or replay - and so may not be used in a monitor mode for, say, a three-head recorder. The manufacturers have said that a two-way unit is to be made. Input from the amplifier is preset through a hole in the back of the case and once set does not need to be adjusted further.

In the other direction there is no input control for the level from the tape deck, so it is necessary to use a deck with an output level control. Input and output levels are indicated on two p.p.ms, one for each channel. After the input level is set the only controls used are three push buttons on the front panel: power switch, record or replay and unit switched in or out. This last control by-passes the unit so that the amplifier is connected directly to the tape deck.

Auditioning a pre-production unit, we found that the unit worked very well on music with no audible background noise at all. Some pumping was discernible on speech which was not evident as noise as much as a peculiar change in perspective between presence or absence of sound. The unit costs £149.50 inclusive and is available from the manufacturer, Tardis Ltd, Unit 3, Sunningdale Road, South Park Industrial Estate, Scunthorpe, South Humberside. **WW303**

## MULTI-WAVE GENERATOR

A number of user-defined waveforms may be stored in the memory of the waveform generator from 3D.

Function generators can normally supply square, sinusoidal, triangular or other regular waveforms but if any special function is required, it may take much adaptation of filters and shaping circuitry to get the required form. This generator interfaces with a microcomputer which can store up to 32 different waveforms. The frequency can be easily controlled up to 500kHz, with an output voltage of up to 10V r.m.s. and frequency sweeps, amplitude or frequency modulation are possible. A number of standard waveforms; sine, triangular, square, pulse etc. are already programmed into the generator's internal rom; others can be programmed and stored in eprom if they are to be used regularly. Applications cited by the manufacturer include component testing, vibration testing and the

testing of the reaction to stimulus of muscles and nerve tissue subject to the influence of various medicines. The generator is one of a series of Inlab modules and shares the same interface system which can be connected to a wide range of microcomputers through the IEEE-488 instrumentation bus, or may be configured to work with many others. Digital Design and Development, 18-19 Warren Street, London W1P 5DB **WW304**

## UV FOR P.C.Bs

An exposure unit for photosensitive coated copper boards or labels from Electronic Assistance includes four 15V actinic u.v. fluorescent tubes controlled by a precision timer. The UV-800 has an exposure area of 800cm<sup>2</sup> and boards are clamped against the exposure window by a flame-retardant foam pressure pad in



the lid. A microswitch prevents u.v. emission reaching the operator when the lid is raised. The exposure unit costs £85 (+ v.a.t.) and there is a smaller unit, UV-300, without the timer but with the same safety features, for £35 (+ v.a.t.). Electronic Assistance Ltd, Unit 1, Brunberth Industrial Estate, Rhayader, Powys LD6 5EN. **WW305**

## LCDs WORK IN THE COLD

Operating temperatures of -45° up to +85°C are claimed for the Survivor range of liquid crystal displays. At the lowest temperature there is a response time of 1.1s. The l.c.d.s are sealed with contact protection to allow the displays to work in 95% relative humidity and are also protected against shock and vibration to make them suitable for all sorts of hostile environments. Manufactured in Canada by Data Images Inc, they are available in the UK through Antech Electronics Ltd, Grenfell Place, Maidenhead, Berks SL6 1HL. **WW306**



# NEW PRODUCTS

## UNINTERRUPTABLE SWITCH-MODE POWER

Pmos high-speed switching transistors are used in a range of 125W power units, the SMM series from Elba Electric GmbH. Several models are available with up to five isolated outputs. One output may be used to charge a 24V battery, which can take over the power supply in the event of a mains failure.

Inputs may be 115 or 230V alternating or 24V direct. Outputs offered are 5V at 20A, 5 to 18V at 3A, -5 to -15V at 1A, 12 to 24V at 2.5A and 24 to 27.5V at 1A for battery charging. Outputs are short circuit protected. All this fits into a space 300 x 125 x 75mm. The units comply with standard safety regulations and are available in the UK through Dome Electronics, 1A Junction Road, Andover, Hants.

WW307

## FORTH COMPUTER ON A BOARD

Designed for system control applications, the TDS 900 is based on the Hitachi HD6301P 8/16-bit microprocessor and has an on-board Forth interpreter. Fitting on a standard Eurocard, the TDS900 is provided with 10K of ram and 8K of rom. Either or both of these can be easily extended by the addition of TDS940 extension cards to give 160K-bytes of ram or 640K-bytes of rom. An RS232C connector is incorporated and can be connected to a v.d.u. and to an eprom programmer.

The computer is intended chiefly for installing into equipment and a typical development cycle is to programme the computer using a v.d.u. with the full-screen editor

included in the on-board software. The program is entered in Forth, which is then compiled into the Forth dictionary format. The program may be run and tested (debugging is inherent in the Forth language) and then output to a prom programmer. The eprom may then be plugged in to the computer which thus becomes dedicated to that task. Even when it is installed in the equipment, the computer can be connected to a v.d.u. and its operation may be monitored and corrected if necessary.

A large variety of input/output interfaces may be connected to the computer including a-to-d or d-to-a converters, control signals to triacs or other switches, printers, keyboards, or displays.

Standard Fig-Forth language is used with additional commands for the screen editor and for some functions, for example timing. Any function not included can, of course, be added by the user.

One application developed by the manufacturer was a sound-operated switch which could be used by the severely handicapped to operate up to ten appliances such as switching on or off lighting, the tv, radio, etc. or for summoning assistance.

The computer is produced in different versions: cmos for battery-powered operation or the cheaper n-channel version; there are also lower cost versions with less ram. The full memory cmos model costs £179.95 for one-off, less for quantity orders. Triangle Digital Services Ltd, 23 Campus Road, London E17 8PG.

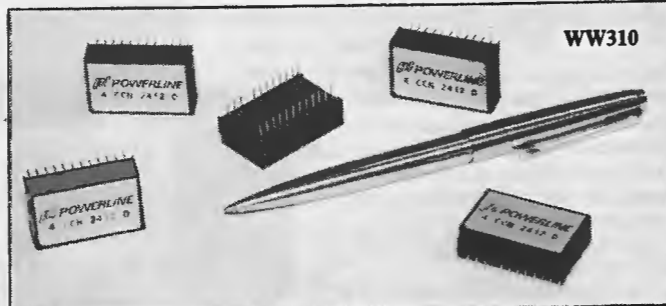
WW308

## FLAT CABLE TERMINALS

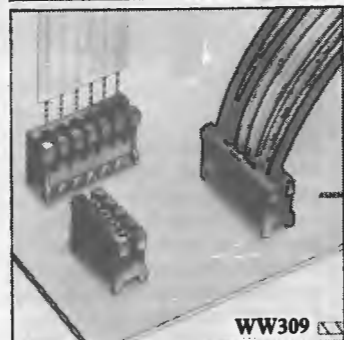
Connectors which are soldered to a p.c.b. can have the flat cable inserted with no force. The housing is then pushed down to effect the connection. No special tools or cable preparation are necessary with the Snap-mate connectors and the cables may be easily released by lifting the housing. Connectors are available for 2, 3, 4, 5 and 6-conductor cables. The gas-tight high-pressure contact principle used in the terminals is claimed to offer as reliable connections as in gold-plated contacts while using the lower cost tin alloy plating. Burndy Ltd, Connector House, Colney Street, St Albans, Herts AL2 2ED.

WW309

If you would like more information on any of the items featured here, enter the appropriate WW reference number(s) on the mauve reply-paid card.



WW310



WW309

## D.C. TO D.C.

The first of a series of d.c.-to-d.c. converters are thick-film hybrids in 24-pin d.i.ps with up to 4W of output power in both regulated and unregulated versions. Output voltages of 5, 12, 15, -12 and -15V are derived from models with input voltages nominally of 5, 12, 24, 28 and 48V. The makers claim that the use of thick film techniques increases

WW311



the reliability and provides twice as much output power as discrete component versions of a similar size. Powerline Electronics Ltd, 5 Nimrod Way, Reading, Berks RG2 0EB.

WW310

## EDUCATIONAL KIT

Thirty-one different experiments and applications are possible with the experimental electronics kit from Cambion. Two years of planning have gone into the development of the kit which comes complete with teacher's notes and a series of worksheets. The electronic components plug into a breadboard and may be re-used in different configurations.

Designed for use in schools, the kit is equally useful in industrial schemes for training apprentices. It costs just under £30 from Cambion Electronics Products Division, Midland Ross Corporation, Cambion Works, Castleton, Sheffield S30 2WR.

WW311

# U.K. RETURN OF POST MAIL ORDER SERVICE, ALSO WORLDWIDE EXPORT SERVICE

## RECORD DECKS SINGLE PLAY 11in Turntables 240 volt AC. Post £2

Make	Model	Drive	Cartridge	Price
BSR	P204	Rim	Magnetic	£20
BSR	P170	Rim	Ceramic	£20
BSR	P232	Belt	Ceramic	£24
GARRARD	6200	Rim	Ceramic	£22
GARRARD	Delux	Belt	Magnetic	£40

BSR	P204	9 volt	Ceramic	£18
BSR	P232	12 volt <td>Magnetic</td> <td>£24</td>	Magnetic	£24

## AUTOCHANGERS 240 VOLT

BSR	Budget	Rim	Ceramic	£16
BSR	Delux	Rim <td>Ceramic</td> <td>£18</td>	Ceramic	£18

## HEAVY METAL PLINTHS

Cut out for most BSR or Garrard decks. Silver grey finish, black trim. Size 16 x 13 3/4 in. £4

## DECCA TEAK VENEERED PLINTH. Post £1.50

Superior finish with space and panel for small amplifier. Board is cut for B.S.R. 18 3/4 in. x 14 1/4 in. x 4 in. Black/chrome fascia trim. Also with boards cut out for Garrard £3. Tinted plastic cover £5

## TINTED PLASTIC COVERS

17 7/8 x 13 1/2 x 3/4 in.	£3	18 1/4 x 12 1/2 x 3 in.	£5
17 1/4 x 9 3/8 x 3/4 in.	£3	14 3/8 x 12 1/2 x 2 7/8 in.	£5
16 1/2 x 15 x 4 1/2 in.	£5	16 3/8 x 13 x 4 in.	£5
17 x 12 1/2 x 3 1/2 in.	£5	14 1/2 x 13 1/2 x 2 3/4 in.	£5
22 3/8 x 13 7/8 x 3 in.	£5	17 1/4 x 13 3/4 x 4 1/8 in.	£5
21 1/2 x 14 1/2 x 2 1/2 in.	£5	21 x 13 7/8 x 4 1/8 in.	£5
23 3/4 x 14 x 3 1/8 in.	£5	30 3/4 x 13 3/8 x 3 1/4 in.	£5

## THE "INSTANT" BULK TAPE ERASER

Suitable for cassettes and all sizes of tape reels. AC mains 200/250V. Hand held size with switch and lead (120 volt to order). Will also demagnetise small tools and computer tapes. £9.50 Post 95p

## BATTERY ELIMINATOR MAINS TO 9 VOLT D.C.

Stabilised output, 9 volt 400 ma. U.K. made in plastic case with screw terminals. Safety overload cut out. Size 5 x 3 1/4 x 2 1/2 in. Transformer Rectifier Unit. Suitable Radios, Cassettes, models, £4.50. Post 50p.

## DE LUXE SWITCHED MODEL STABILISED. £7.50. PP £1.

3-6-7-9 volt 400ma DC max. Universal output plug and lead. Pilot light, mains switch, polarity switch.

## DRILL SPEED CONTROLLER/LIGHT DIMMER KIT. Easy build kit. Controls up to 480 watts AC mains. £3. PP 65p.

DE LUXE MODEL READY-BUILT 800 watts. Front plate fits standard box. £5. Post 65p.

## EMI 13 1/2 x 8 in. LOUSPEAKERS

Model 450A, 10 watts R.M.S. with moving coil tweeter and 2-way crossover; 3 ohm or 8 ohm. "Final Clearshield" £8 Post £1.50

## SUITABLE BOOKSHELF CABINET

Teak Veneers £6.50. Size 18 x 11 x 6 in. Post £1.50.

## RELAYS. 6V DC 95p. 12V DC £1.25. 18V £1.25. 24V £1.30.

ALUMINIUM CHASSIS. 6 x 4 - £1.75; 8 x 6 - £2.20; 10 x 7 - £2.75; 12 x 8 - £3.20; 14 x 9 - £3.60; 16 x 6 - £2.50; 16 x 10 - £3.80; 12 x 3 £2.20; 14 x 3 £2.50.

## ALUMINIUM PANELS. 6 x 4 - 55p; 8 x 6 - 90p; 14 x 3 - 90p; 10 x 7 - £1.15; 12 x 8 - £1.30; 12 x 5 - 90p; 16 x 6 - £1.30; 14 x 9 - £1.75; 12 x 12 - £1.80; 16 x 10 - £2.10.

## ALUMINIUM BOXES. 4 x 4 x 1 1/2 £1.20. 4 x 2 1/2 x 2 £1.20. 3 x 2 x 1 £1.20. 6 x 4 x 2 £1.90. 7 x 5 x 3 £2.90. 8 x 6 x 3 £3. 10 x 7 x 2 1/2 £3.60. 12 x 5 x 3 £3.60. 12 x 8 x 3 £4.30.

## ALI ANGLE BRACKET 6 x 3/4 x 3/4 in. 30p.

## BRIDGE RECTIFIER 200V PIV 2a £1. 4a £1.50. 6a £2.50.

## TOGGLE SWITCHES SP 40p. DPST 50p. DPDT 60p.

## MINIATURE TOGGLES SP 40p. DPDT 60p.

## RESISTORS. 100 to 10M. 1/4W, 1/2W, 1W, 2p; 2W 10p.

## LOW ohm 1 watt 0.47 to 3.9 ohms 10p.

## HIGH STABILITY. 1/2w 250 10 ohms to 1 meg. 10p.

## WIRE-WOUND RESISTORS 5 watt, 10 watt, 15 watt 20p.

## PICK-UP CARTRIDGES SONOTONE 9TAHC £2.80.

## BSR Stereo Ceramic SCT Medium Output £2. SC12 £3.

## PHILIPS PLUG-IN HEAD. Stereo Ceramic. AU1020 (G306 - GP310 - GP233 - AG3306. £2. A.D.C., OLM 30/3 Magnetic £5.

## GOLDRING G850 £6.50, G800 £8.50. STYLUS most Ceramic Acos, Sonotone, BSR, Garrard Philips Diamond £1.20 ea.

## MAGNETIC STYLUS, Sony, JVC, Sanyo, Goldring, etc. £4.

## LOCKTITE SEALING KIT DECCA 118. Complete £1.

## VALVE OUTPUT Transformers 15 watt £14; 30W £18; 50W £20; 100W £24. Post £2.

## SUB-MIN MICROSWITCH, 50p. Single pole changeover.

## ANTEX SOLDERING IRON "C" 15W £4.60. 25W "X25" £4.70.

## WAFER SWITCHES. 1 1/4" dia. 60p ea.

## 1P 12W; 2P 2W; 2P 6W; 3P 4W; 4P 2W; 4P 3W.

## FERRITE ROD. 6" x 1/2"; 6" x 3/8"; 8 x 5/16" 40p.

## XLR Lead Plug £2.40. Lead socket £2.75.

## XLR Chassis Plug £2.20. Chassis Socket £2.55.

## BANANA 4mm Plugs/Sockets, red/black 20p.

## JACK PLUGS Mono Plastic 25p; Metal 30p. Sockets 25p.

## JACK PLUGS Stereo Plastic 30p; Metal 35p. Sockets 30p.

## FREE SOCKETS - Cable end 30p. Metal 45p.

## 2.5mm and 3.5mm JACK SOCKETS 25p. Plugs 25p.

## DIN TYPE CONNECTORS

## Sockets 3-pin, 5-pin 15p. Free Sockets 3-pin, 5-pin 25p.

## Plugs 3-pin 20p; 5-pin 25p; Speaker plugs 25p; Sockets 15p.

## PHONO PLUGS and SOCKETS ea. 20p; Double sockets 30p.

## Free Socket for cable end 20p. Screened Phono Plugs 25p.

## B.N.C. PLUGS £1. Sockets £1. Free Sockets £1.10.

## U.H.F. PLUGS 50p. Sockets 50p. Reducers 20p. Couplers 50p.

## 300 ohm TWIN RIBBON FEEDER 10p yd.

## 300 ohm to 75 ohm AERIAL MATCHING TRANSFORMER £1.

## U.H.F. COAXIAL CABLE SUPER LOW LOSS, 75 ohm 25p yd.

## COAX PLUGS 30p. COAX SOCKETS 30p. Lead Sockets 65p.

## NEON INDICATORS 250V, round 40p. Rectangular 45p.

## POTENTIOMETERS Carbon Track

5kΩ to 2MΩ. LOG or LIN. L/S 50p. DP 90p. Stereo L/S £1.10. DP £1.30. Edge Pot 5K. SP 45p.

## MINI-MULTI TESTER NEW

De luxe pocket size precision moving coil instrument. Impedance + Capacity - 4000 o.p.v. Battery included. 11 instant ranges measure: DC volts 5.25, 250, 500. AC volts 10, 50, 500, 1000. DC amps 0-250µA, 0-250mA. Resistance 0 to 600k ohms. £6.50 Post 50p

## De Luxe Range Doubler Model, 50,000 o.p.v. £18.50. 7 x 5 x 2 in. Post £1

43 Ranges, 1,000V, AC-DC, 20 meg, etc.

## PANEL METERS

50µA, 100µA, 500µA, 1ma, 5ma, 50ma, 100ma, 500ma, 1 amp, 2 amp, 25 volt, VU 2 1/4 x 2 x 1 1/4. Stereo VU 3 1/4 x 1 1/4 x 1 in. £4.50 Post 50p

## RCS SOUND TO LIGHT CONTROL BOX

Complete ready to use with cabinet size 9 x 3 x 5 in. 3 channel, 1000 watt each. For home or disco input 200mV to 100 watt. AC 200/250V. Post £1

## OR KIT OF PARTS £19.50. LESS CABINET £15

Disco bulbs 100 watt, blue, green, yellow, red, amber, screw or bayonet £2 each. Post £1.50 per six. Rope lights, 4 channel, 11ft with controller £33. PP £1. "FUZZ" lights, red, blue, green, amber, 240V. £23 Post £1

## RCS "MINOR" 10 watt AMPLIFIER KIT £14

This kit is suitable for record players, guitars, tape playback, electronic instruments or small PA systems. Two versions available: Mono, £14; Stereo, £20. Specification 10W per channel; size 9 1/2 x 3 x 2 in. SAE details. Full instructions supplied. 240V AC mains. Post £1.

## RCS STEREO PRE-AMP KIT. All parts to build this pre-amp. Inputs for high, medium or low imp per channel, with volume control and PC Board. Can be ganged to make multi-way stereo mixers

£3.50 Post 65p

## MAINS TRANSFORMERS

250-0-250V 80mA, 6.3V 3.5A, 6.3V 1A £8.00 £2  
350-0-350V 250mA, 6.3V 6A CT £12.00 £2  
220V 25ma 6V lamp £2.50. 220V 45ma 6V 2 Amp £4.00 £1  
250V 60mA, 6V 2A £4.75 £1

## AUTO GENERAL PURPOSE LOW VOLTAGE

115V to 240V 150W £9. 250W £10. 500W £12.00 £2

## OPUS COMPACT SPEAKERS £22 pair

TEAK VENEERED CABINET 11 1/2 x 7 in, 15 watts 10 to 14,000 cps. 4 ohm or 8 ohm

## OPUS TWO 15 x 10 1/2 x 7 3/4 in 25 watt 2-way system £39 pair. Post £3

## LOW VOLTAGE ELECTROLYTICS Wire ends

10p  
1mf, 2mf, 4mf, 8mf, 10mf, 16mf, 25mf, 30mf, 50mf, 100mf, 250mf. All 15 volts. 22 mf/6V/10v; 25 mf/6V/10v; 47 mf/10v; 50 mf/6v; 68 mf/6v/10v/16v/25v; 100 mf/10v; 150 mf/6v/10v; 200 mf/10v/16v; 220mf/4v/10v/16v; 330 mf/4v/10v; 500mf/6v; 680mf/10v; 1000mf/10v; 1500mf/10v; 2200mf/6v/10v; 3300mf/6v; 4700mf/4v/10v; 500mf 12V 15p; 25V 20p; 50V 30p; 100mfF 75V 80p.

## NON POLARISED CAPACITORS - REVERSIBLE

1mf 250V 25p; 1.5mf 100V 25p; 2.2mf 250V 30p; 3.3mf 100V 40p; 4.7mf 100V 40p; 10mf 63V 40p; 32mf 50V 25p.

## HIGH VOLTAGE ELECTROLYTICS

2/500V 45p 32+32+16/350V 90p 8+16/450V 75p  
8/450V 45p 100+100/275V 85p 16+16/350V 80p  
16/350V 45p 150+200/275V 70p 32+32/350V 85p  
32/500V 95p 32+32+32/325V 75p 32+32/500V £1.80  
32/350V 50p 50+50+50/350V 50p 50+50/300V 50p  
50/450V 95p 8+8/500V £1 80+40/500V £2

## CAPACITORS WIRE END High Voltage

.001, .002, .003, .005, .01, .02, .03, .05 mfd 400V 5p.  
.1MF 200V 5p. 400V 10p. 600V 15p. 1000V 25p.  
.22MF 350V 12p. 600V 20p. 1000V 30p. 1750V 50p.  
.47MF 150V 10p. 400V 20p. 630V 30p. 1000V 60p.

## TRIMMERS 30pF, 50pF, 10p, 100pF, 150pF 20p. 500pF 30p.

## MICROSWITCH SINGLE POLE CHANGEOVER 40p.

## GEARED TWIN GANGS 365+365+25+25pF £1.

## BRASS SPINDLE CHANGERS 85p. Couplers 65p.

## VERNIER DRIVE DIALS. 36mm £2.25. 50mm £2.75.

## SLOW MOTION DRIVE 6:1 90p. Reverse Vernier drive 90p.

## TRANSISTOR TWIN GANG. Japanese Replacement £1

## SOLID DIELECTRIC 100pF £1.50, 500pF £1.50

## HEATING ELEMENTS, WAFER THIN (Semi Flexible)

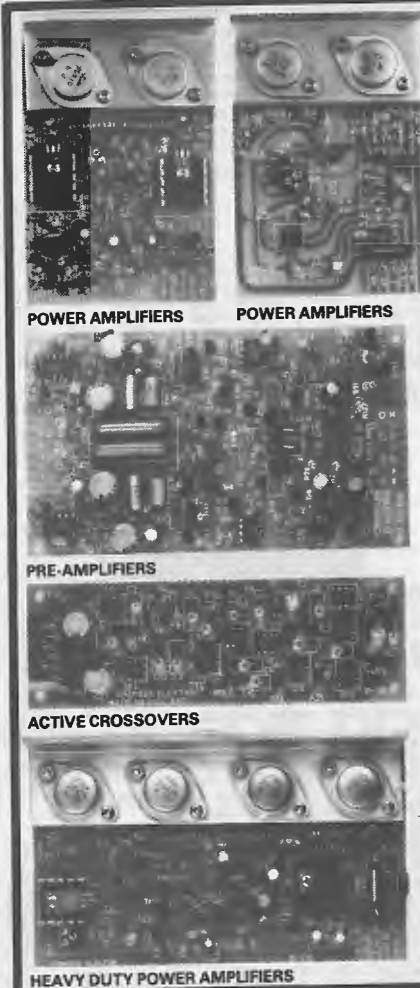
Size 11 x 9 x 1/8 in. Operating voltage 240V, 250W approx. Suitable for Heating Pads, Food Warmers, Convector Heaters, Propagation, etc. Must be clamped between two sheets of metal or ceramic, etc. ONLY 60p EACH (FOUR FOR £2) ALL POST PAID.

## NEW Baker Star sound

high power full range quality loudspeakers. British made. Ideal for Hi-Fi, music P.A. or discotheques. These loudspeakers are recommended where high power handling is required with quality results.

MODEL	INCHES	OHMS	WATTS	TYPE	PRICE	POST
MAJOR	12	4-8-16	30	HI-FI	£16	£2
SUPERB	12	8-16	30	HI-FI	£26	£2
AUDITORIUM	12	8-16	45			





# WHAT ARE YOU DRIVING?

**INDUCTION LOOP TRANSMITTERS  
VIBRATOR/SHAKERS  
SERVOMOTORS  
MAGNETS**

## CRIMSON ELEKTRIK POWER AMP MODULES HAVE DONE IT ALL

CHOOSE our acclaimed Bipolar Modules for the best in Hi-Fi. These modules have been widely used by professional bodies. They are high slew, low t.h.d. devices without need for the output fuses that spoil fidelity. They have instantly resettable 'electronic fuse' and are L-bracket mounting for flexi installation.  
CHOOSE Our Mosfet Modules for the most difficult loads. These modules are rugged and make ideal line step-up transformer drivers. They respond down to d.c. and make excellent servo-driving devices. They have low d.c. offset drift due to jfet inputs.

BIPOLAR	TYPE	MAX. O/P POWER	SUPPLY TYP.	VOLTAGE MAX.	THD TYP.	PRICE INC. V.A.T. & POST
	CE 808	60W/8Ω	± 35	± 40	< .01%	£21.50
	CE 1004	100W/4Ω	± 35	± 40	< .018%	£25.00
	CE 1008	120W/8Ω	± 45	± 50	< .01%	£28.00
	CE 1704	200W/4Ω	± 45	± 63	< .015%	£35.50
	CE 1708	180W/8Ω	± 60	± 63	< .01%	£35.50
	CE 3004	320W/4Ω	± 60	± 63	< .02%	£49.50
MOS	FE 908	90W/8Ω	± 45	± 60	< .01%	£30.00
	FE 1704	170W/4Ω	± 45	± 60	< .025%	£39.00

Export - no problem. Please write for quotation or quote your Master Charge card number.

**Crimson Elektrik**

PHOENIX WORKS, 500 KING STREET, LONGTON  
STOKE-ON-TRENT, STAFFS  
TEL: 0782 330520

Pye Europa MF5FM high-band sets, complete but less mike and cradle. £90 each plus £2 p.p. plus VAT.  
Pye M294 high-band FM sets, complete but less mike, speaker and cradle. £150 each plus £2 p.p. plus VAT.  
Pye Reporter MF6 AM high-band sets, complete but less speaker and cradle. £90 each plus £2 p.p. plus VAT.  
Pye Olympic M201 AM high-band sets, complete but less mike, speaker and cradle. £90 each plus £2 p.p. plus VAT.  
Pye Westminster W15 FM G band 42-54 MHz sets, unused and like new, but less mike, speaker and cradle. £65 each plus £2 p.p. plus VAT.  
Pye Westminster W15 AMD mid-band multi-channel sets, no mikes, speakers or cradles. £45 each plus £2 p.p. plus VAT.  
Pye Westminster W15 AMD mid-band crystallised and converted to 129.9 MHz, 130.1 MHz, 130.4 MHz. Very good condition. £120 each plus £2 p.p. plus VAT.  
Pye Westminster W15 AMD high-band and low-band sets available. Sets complete but less mikes, speakers and cradles. £70 each plus £2 p.p. plus VAT.  
Pye Westminster W30 AM low-band sets only, no control gear. Sets complete and in good condition. £45 each plus £2 p.p. plus VAT.  
Pye base station F30 AM, low band and high band available, remote and local control. Prices from £220 plus VAT.  
Pye base station F401 high-band AM, local control, fully solid state, complete but less mike. £275 each plus £15 p.p. plus VAT.  
Pye base station receiver R402 high-band FM 148-174MHz, single channel, 12.5 KHz channel spacing. £95 each plus £5 p.p. plus VAT.  
Pye base station F9U, remotely controlled, 5 Watt output, UHF (440-470 MHz), single channel. £90 each plus £5 p.p. plus VAT.  
Pye base station F412 UHF (440-470 MHz), 25KHz channel spacing, single channel, local control. £250 each plus £15 p.p. plus VAT.  
Pye Beaver M254 high-band FM sets, 15 Watt, robust mobile radiotelephones for industrial use, sets complete but less crystals, as new condition. £120 each plus £2 p.p. plus V.A.T.  
Pye base station receiver F27 AM, crystallised on 116.46 MHz, can be recrystallised on air band. Unused condition. £15 each plus £5 p.p. plus VAT.  
Pye AC200 mains power unit for Olympic or Reporter, automatic standby power facility with trickle charging and built-in quartz digital clock. £95 each plus £5 p.p. plus VAT.

Pye AC power supply unit AC25PU, specially designed for use with the Europa series mobiles, power output 13.2 volt 5 amp. New condition. £45 each plus £5 p.p. plus VAT.  
Pye PC1 radiotelephone controller, good condition, two only at £50 each plus £2 p.p. plus VAT.  
Pye Tulip microphone as used on most base stations and PC1, 2400 ohm with pt switch. £15 plus £1 p.p. plus VAT.  
Pye PF1 UHF FM Pocketfone receivers, 440-470 MHz, single channel, int. speaker and aerial. Supplied complete with rechargeable battery and service manual. £6 each plus £1 p.p. plus VAT.  
Ni-Cad Batteries for Pye PF1, used but good condition, Rx (Yellow) £2 each Tx (Red). £3 each plus £1 p.p. plus VAT.  
Pye Pocketfone PF1 Battery Chargers, type BC14, 12 way with meter. £10 each plus £1 p.p. plus VAT.  
Pye Pocketfone PF1 Battery Chargers, type BC5 single charger, brand new. £20 each plus £1 p.p. plus VAT.  
Pye single sideband HF Mobile Radiotelephone, type SSB130M, 100 W P.E.P. output, 6-channel, 2-15 MHz. Complete and new condition but less power unit. £250 plus £10 p.p. plus VAT.  
Pye fixed station transmitter, type T100 FM, 'G' band 38.6-50 MHz, 100 W output. 25 KHz channel spacing. New condition. £100 each plus £10 p.p. plus VAT.  
Tektronix Oscilloscope Type 6A7A, solid state, 100 MHz bandwidth. £250 plus VAT.  
Hartley Oscilloscope Type CT436, valved, DC to 6 MHz bandwidth. £50 plus VAT.  
Uniradio 95 Co-axial cable 50 ohm miniature cable dia. 2.3 mm. £2 per 90 M plus VAT.  
Philips Telephone Power Units Type PE2004/02 48 volt 4 amps (new). £20 plus VAT.  
Agfa Videochrom Chromdioxid video cassette tape for use with Philips N1500/1700 VCR. LVC 120. £6 each plus £1 p.p. plus VAT.

**MAINS TRANSFORMERS**  
Mains isolating transformer, 500VA 240V input, 240V C.T. output, housed in metal box. £15 each plus £6 p.p. plus VAT.  
Mains isolating transformer, 240V tapped input, 240V 3 amp plus 12V 0.5 amp output. £20 each plus £6 p.p. plus VAT.  
Advance Volstat transformers, type CVN200/5, input 24 or 28V DC via inverter, output 220 or 240V RMS 150 watt, 50Hz. £10 each plus £4 p.p. plus VAT.

Marconi AM/FM signal generator, type TF995A/3/S (CT402), 1.5-220 MHz, good condition with copy of service manual. £95 each plus £15 p.p. plus VAT.  
Airmec millivolt meter, Type 301. £50 plus £2 p.p. plus VAT.  
Advance signal generator Type C2. £25 plus £5 p.p. plus VAT.  
Airmec modulation meter, Type 210. £75 plus £5 p.p. plus VAT.  
Marconi HF Spectrum analyser, Type OA1094A/S 0-30 MHz. £100 plus VAT (buyer collects).  
Eddystone receiver, Type 770U 144-500 MHz. £155 plus £5 p.p. plus VAT.  
Servomex AC voltage stabiliser, type AC2, 240V @ 9 amp. £45 each plus £15 p.p. plus VAT.  
Servomex AC voltage stabiliser, type AC7, 240V @ 20 amp. £75 each plus £15 p.p. plus VAT.  
Samwell & Hutton T.V. Wobulator, type 78M, 16-230 MHz. £35 each plus £15 p.p. plus VAT.  
Rhode & Schwarz power signal generator 0.1 to 30 MHz, Type BN41001. £50 plus £10 p.p. plus VAT.  
Rhode & Schwarz wide band signal generator 10 Hz to 10 MHz, Type BN40861. £50 plus VAT.  
Rhode & Schwarz sweep signal generator, 50 KHz to 12 MHz, Type BN4242/2. £50 plus VAT.  
Meguro signal generator, type MSG-230E, 16 KHz-50 MHz. £130 plus £10 p.p. plus VAT.  
Rhode & Schwarz Polyskop Type SWOB BN4244, 0.5 MHz to 400 MHz. £150 plus £15 p.p. plus VAT.  
Computer-grade electrolytic capacitors, screw terminals, 25,000mfd., 33 volts, brand new. £1 each plus 50p p.p. plus VAT.  
60 amp alternator and general noise filters for use in vehicles. £1 each plus 50p p.p. plus VAT.  
Modern telephones, type 746, with dials, colour grey, used but good condition. £8 plus £1 p.p. plus VAT.  
Cigar lighter plug with lead. £1 each plus 30p p.p. plus VAT.  
IC test clips, 28-way and 40-way, gold plated. £2 each plus 30p p.p. plus VAT.  
Equipment wire, size 7/0.2mm, colour yellow, 500-metre reels. £4 plus £1 p.p. plus VAT.  
Scotch video tape, 1" x 10" (25.40mm x 910mm), brand new. £5 each plus £2 p.p. plus VAT.  
Power units, 70 volt @ 8 amp, 20 volt @ 3 amp. Brand new but no details. £20 each plus £8 p.p. plus VAT.  
Beryllium block mounts for CCS1 valves, etc. £10 each plus £1 p.p. plus VAT.

## B. BAMBER ELECTRONICS

GOVERNMENT AND MANUFACTURERS' SURPLUS

5 STATION ROAD  
LITTLEPORT CAMBS CB6 1QE  
Telephone: Ely (0353) 860185

ELECTRONIC COMPONENTS  
TELECOMMUNICATION EQUIPMENT  
TEST GEAR



WW - 065 FOR FURTHER DETAILS

## TEST EQUIPMENT

Tek. CA Plug-ins	£25
Tek. M Plug-in	£80
Tek. Z Plug-in	£80
Tek. 7313 100MHz Storage Main Frame	£1800
Tek. 7870 Plug-in	£295
H.P. 6920B Meter Calibrators	£25
H.P. 1400 series Plug-ins, from	£195
Texscan X-Y Display 12" DU120	£185
Telonic 121 X-Y Display 12"	£195
Wavetek 1601C X-Y Display 12"	£75
Fuke 8000A 3 1/2 digit DMM	£145
Fuke 8600A 4 1/2 digit DMM	£145
E.H. 132L Pulse Generator	£16
Avo Multimeter Model 5	£80
Avo Model Mk 5 - as new	£70
Avo Model 8X Panclimatic	£65
Avo Model 7	£65
Avo Model 8 Mk. III	£15
Leather Cases for Avo's	£15
Ever Ready Avo Case	£55
Rotronics 150KHz Sine/Sq. Sig. Gen.	£395
Tequipment DM64 Storage Scope	£395
Houston Digital Increment Plotter DP10	£175
Systron Donner 825A 8 digit 50MHz Timer/Counter	£50
Solartron 7040 DMM	£595
Racal Dana 9514 100MHz Counter IEEE - as new	£325
Systron Donner 7734A 4 1/2 digit DMM IEEE - as new	£750
Singer Gertsch Synchro Standard Phase Angle Voltmeter	£30
Teletypes, from	£55
Marconi VVM TF2600	£195
Radiometer SMC1 Stereo Generator	£275
Wavetek 1702 Sweeper 950MHz	£795
Wavetek 1702A Sweeper 950MHz	£795
Leader LFR 5600 Frequency Response Recorder	£35
R & S DP1 110db Attenuator	£25
ITT Power Card PSUs various, from	£45
R & S HUZ Field Strength Meter	£450
Tequipment D75, V4 & S2A 50MHz Scope	£50
Tequipment DB3, V4 & S2A Large Screen scope	£50
Venture Printer Type DP1	£135
Sign Electronics Distortion Factor Meter	£495
Leader 4MHz Scope - new	£495
Hedin - 20" to 150°C Furnace	£495
Digitiser with table	£495
Philips Gas Chromatography System	£150
Philips 9205 Computer	£40
Aluminium Storage Boxes	£225
Flann W616 0-90db rotary Attenuator - Unused	£195
Tek. 661, 451 & 513 Sampling Scope	£195
Philips PM3330 scope with extra 4-channel P.I.	£40
Tek. 132 Plug-in PSU	£40

Carriage additional: All prices exc. V.A.T.

**TIMEBASE**  
94 ALFRISTON GARDENS  
SHOLING, SOUTHAMPTON SO2 8FU  
TEL: 431323 (0703)  
Callers welcome  
Access, Barclaycard: Telephone your order

WW - 038 FOR FURTHER DETAILS

## ScheTronics Limited

We offer the following services:

- ★ Repair and calibration of precision electronic test equipment.
- ★ Prototype wiring of P.C.B.s.
- ★ Technical drawing facilities.
- ★ Second user test equipment for sale.
- ★ W & G EPM1 Std. 75Ω M.W. meter from 10hz to 300 mghz.
- ★ W & G 18.6 mghz SPM6 - PS6.
- ★ W & G 100 mghz SPM14 - PSS14.
- ★ Siemens 100 mghz return loss bridge R273.
- ★ Siemens Pegamet systems and spares.
- ★ Many other instruments, all makes and prices on application.

Unit 10, Dunstall Estate, Crabtree Manorway  
Belvedere, Kent DA17 6AW  
Telephone: 01-311 9657

WW - 067 FOR FURTHER DETAILS

## SALE P.&R. COMPUTER SHOP SALE

IBM GOLFBALL PRINTERS from £70 EACH + V.A.T.

INTERFACE FOR IBM GOLFBALL £40 + V.A.T.  
\*BRAND-NEW LA36 DEC WRITERS - SALE £200 EACH + V.A.T.  
CENTRONIC 779 PRINTERS - £325 + V.A.T.  
CENTRONIC 781 PRINTER - £350 + V.A.T.  
POWER UNITS, 5-VOLT 6-AMP - £20 EACH  
FANS, PCBs, KEYBOARDS AND LOTS MORE  
8-INCH IBM FLOPPY DISC DRIVES.

COME AND LOOK AROUND  
SALCOTT MILL, GOLDHANGER ROAD  
HEYBRIDGE, MALDON, ESSEX  
PHONE MALDON (0621) 57440

WW - 063 FOR FURTHER DETAILS

# PRACTICALLY ALL THE PARTS FOR WIRELESS

## ENTHUSIASTS (and Computing, Electronics, Audio) & Video Enthusiasts too!!



The Spring '83 catalogue continues to expand to meet the needs of the electronics user - from the novice enthusiast to the professional aerospace designer.

AT YOUR NEWSAGENT OR DIRECT



## ambit INTERNATIONAL

200 North Service Road,  
Brentwood, Essex CM14 4SG  
Telephone (Consumer Sales/Enquiries)  
0277-230909 - Telephone (Industrial  
Sales/Enquiries) 0277-231616 -  
Telex 995194 AMBIT G  
Data 24hrs (RS232/300baud) 0277-232628 -  
REWTEL

- Prices exclude VAT except where otherwise shown
- Postage and Packing 60p per pre-paid order
- Orders submitted using Ambit Stock Codes will be processed first
- Orders for in-stock items processed same day
- Hours - (consumer sales) 8am-7pm Mon-Sat: (Industrial) 8am-6pm (Mon-Fri)

WW - 057 FOR FURTHER DETAILS



01-452 1500 TECHNOMATIC LTD 01-450 6597

BBC Micro Computer

Please phone for availability

BBC Model B £399 (incl. VAT) Carr £8/unit Model A to Model B upgrade kit £50 Fitting charge £15 Individual upgrades also available

TELETEXT ADAPTOR £195 PRESTEL ADAPTOR £90 2nd PROCESSOR 6502 £170 2nd PROCESSOR Z80 £290

WORD PROCESSOR 'VIEW' 16K ROM £52

ACORN SOFT/BBC SOFT/GAMES PADDLES IN STOCK

OFFICIAL BBC DEALER

FLOPPY DISC INTERFACE incl. 1.2 Operating System £95 & £20 installation

Phone or send for our BBC leaflet

BBC FLOPPY DISC DRIVES Single Drive 5 1/4" 100K £235+£6 carr. Double Drive 5 1/4" 800K £799+£8 carr.

BBC COMPATIBLE DRIVES These are drives with TEAC FD50 mechanism and are complete with power supply SINGLE: 100K £190; 200K £260; 400K £340 DUAL: 200K £360; 400K £490; 800K £610 DRIVE CABLES: SINGLE £8 DUAL £12

CASSETTE RECORDER

BBC Compatible Cassette Recorder with Counter and Remote Control £26.50 + £1.50 carr. Cassette Leads £3.50 Computer Grade Cassettes £0.50 each. £4.50 for 10 + £1 carr.

MONITORS

MICROVITEC 1431 14in Co. set/our Monitor £249+£8 carr MICROVITEC 2031 20in Colour Monitor £319+£8 carr KAGA 12in RGB Monitor £255+£8 carr Lead for KAGA RGB £10 SANYO Hi Res Green Monitor £99+£6 carr

ACORN ATOM

Basic Built £135. Expanded £175 (Carr £3 per unit) Atom Disc Pack £299+£6 carr 3A 5V Regulated PSU £26+£2 carr Phone or send for our BBC Atom list

PRINTERS

SEIKOSHA GP 100A 80 cols 30 CPs Full ASCII & Graphics 10" wide paper Now only £160 + £6 carr. Ask for details on GP 250A

EPSON RX 80 and FX 80

RX 80 100CPS 80 col Tractor Feed FX 80 160CPS 80 cols F & T Feed Logic seeking, bi-directional, 9x9 Matrix Auto Underline Centronix 8, Bit Parallel Interface as standard RX 80 £298 FX 80 £438 (£8 Carr/Printer)

Parallel Printer lead for BBC/Atom to most printers £13.50 Variety of interfaces, ribbons in stock. 2,000 fan fold sheets 9 1/2" x 11" £13.50+£3 p&p

RUGBY ATOMIC CLOCK

This Z80 micro controlled clock/calendar receives coded time data from NPL Rugby. The clock never needs to be reset. The facilities include 8 independent alarms and for each alarm there is a choice of melody or alternatively these can be used for electrical switching. A separate timer allows recording of up to 240 lap times without interrupting the count. Expansion facilities provided. See July/August '82 ETI for details. Built and tested £145+£2 p&p.

ID CONNECTORS

Table with 3 columns: No. of ways, Header, Edge Conn. Rows include 10, 15, 20, 26, 34, 49, 50 ways.

JUMPER LEADS

Table with 2 columns: 1 end, 2 ends. Rows include 14pin, 16pin, 20pin, 24pin, 26pin, 34pin, 40pin.

AMPHENOL CONNECTORS

Table with 2 columns: 36 way Solder Type Plug, 36 way Solder Socket, 36 way IDC Plug, 24 way Solder Plug, 24 way Solder Socket, 24 way IDC Plug.

RIBBON CABLE

Table with 2 columns: 10 way, 14 way, 20 way, 26 way, 34 way, 40 way, 50 way, 64 way.

MICROTIMER

6502 Based Programmable clock timer with 224 switching times/week cycle 4-hour 7-day timer 24 independent switch outputs directly interfacing to thyristor/triacs 6 digit 7 seg. display to indicate real time, ON/OFF and Reset times Output to drive day of week switch and status LEDs. Full details on request. Price for kit £57

D CONNECTORS

Table with 3 columns: No. of ways, Header, Edge Conn. Rows include 9, 15, 25, 37 ways.

RS 232 CONNS

Table with 2 columns: 24" Single end Male, 24" Single end Female, 24" Male-Male, 24" Male-Female.

EURO CONNECTORS

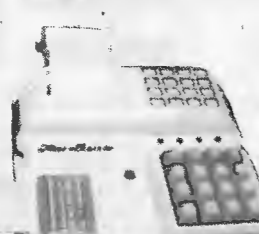
Table with 3 columns: DIN STD, Plug, Skt. Rows include 41617 21 way, 41617 31 way, 41612 2x32 way, 41612 3x32 way, 41612 3x32 way, 41612 3x32 way, 41612 3x32 way, 41612 3x32 way.

EDGE CONNECTORS

Table with 2 columns: 2x18 way, 2x22 way, 2x23 way, 2x25 way, 1x43 way, 2x43 way, 2x50 way, 1x77 way, \$100 Conn.

MICRODOCTOR

This is not a logic analyser or an oscilloscope. It tests a microsystem and gives a printed reprint on RAM, ROM and I/O - it will print memory map, search for code, check dataline shorts and operates peripherals. Microdoctor complete with psu, printer probe cable and two configuration boards.



NEW COMPREHENSIVE CATALOGUE AVAILABLE PLEASE SEND FOR PRICE LIST

SOFTY II INTELLIGENT PROGRAMMER

The complete microprocessor development system for Engineers and Hobbyists. You can develop programs, debug, verify and commit to EPROMs or use in host computer by using softy as a translator. Powerful editing facilities permit bytes, blocks of bytes changed, deleted or inserted and memory contents can be observed on ordinary TV. Accepts most +5V EPROMs. Softy II complete with PSU, TV Lead and Romulator lead £169

SPECIAL OFFER

Table with 2 columns: Item, Price. Rows include 2114L, 2716 (+5v), 2532, 4116-2, 4164-2, 6116P.

UV ERASERS

UV1B up to 6 Eproms £47.50 UV1T with Timer £60 UV140 up to 14 Eproms £61.50 UV141 with Timer £78 (Carr £2/eraser) All erasers are fitted with mains switches and safety interlocks.

'WIRELESS WORLD' PROJECTS

Semiconductors inc. I.C.s., Transistors, Displays, Connectors and Sockets for most projects are stocked by us

BOOKS

Table with 2 columns: Book Title, Price. Rows include CMOS Cook Book, CRT Controller H/Book, Programming the Z80, 280 Microcomp Handbook, 6502 Applications, 6502 Ass'y Lang, 6502 Applications, 6502 Software Design, 6502 Games, Large selection of databooks, interfacing books, books on BBC, etc in stock. Ask for our list.

Large table of electronic components including Linear ICs, Computer Components, Voltage Regulators, Transistors, Diodes, Thyristors, Relays, Zeners, and various other parts with their respective part numbers and prices.

TECHNOMATIC LTD MAIL ORDERS TO: 17 BURNLEY ROAD, LONDON NW10 1ED SHOPS AT: 17 BURNLEY ROAD, LONDON NW10 (Tel: 01-452 1500, 01-450 6597, Telex: 922800) 305 EDGWARE ROAD, LONDON W2 PLEASE ADD 40p p&p & 15% VAT (Export: no VAT, p&p at Cost) Orders from Government Depts. & Colleges etc. welcome. Detailed Price List on request. Stock items are normally by return of post.



**MARCONI SIGNAL GENERATORS**  
 TF2002A/S (illustrated) 10kHz-72MHz. AM/FM. £750  
 TF2002. As above but AM only. £450

**MARCONI TF1066B/1.** AM/FM Generator. 10-470MHz. 0.2uV-200mV output. FM Deviation up to ±100kHz. £550

**MARCONI TF995A/5.** AM/FM Generator. Narrow deviation model 995 covering 1.5-220MHz. £450. TF995B/5 £525.

**MARCONI TF1064B/5.** AM/FM Signal generator covering in three ranges 68-108, 118-185 and 450-470MHz. FM fixed deviations of 3.5 & 10kHz. AM fixed 30%. £225

**'DOLBY' NOISE WEIGHTING FILTERS**  
 Cat. No. 98A. Noise weighting filters for CCIR/ARM signal-to-noise ratio measurements. As new units. £40 each (+£1 p&p).

**BECKMAN TURNS COUNTER DIALS**  
 Miniature type (22mm diam.). Counting up to 15 turn "Helipot". Brand new with mounting instructions. Only £2.50 each.

**'VARIACS' - SPECIAL PURCHASE**  
 We now have a stock of used but excellent condition, fully tested, variable (0-260V) transformers at the following ratings.

BERCO (enclosed) 2A ..... £12.50+£1.50 pp  
 BERCO (non-enclosed) 8A ..... £25.00+£2.50 pp  
 BERCO (non-enclosed) 10A ..... £28.00+£2.50 pp  
 ZENITH (enclosed) 8A ..... £28.00+£2.50 pp  
 Also available, small quantity of Heavy Duty and 3 Phase Variacs. P.O.A.

**AUDIO WATTMETERS**  
 Switchable 1W & 10W FSD. Internal 3.5 & 8 Ohm load impedances. Housed in grey enamelled case 6x6x3". Large easy to read 3" sq. meter. Scope output provision. £10 (+£1).

**HEATHKIT Model AW-11.** Internal load switchable 3, 8, 15 & 500 Ohm. Meter scaled 0-50W (+dB scale). 5 Ranges from 5mW-50W FSD. Mains powered. £25 (+£1).

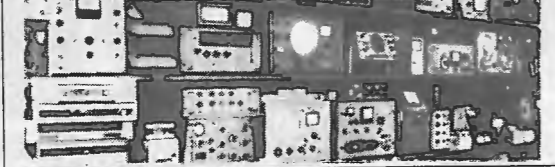
**MARCONI TF893A.** 1mW-10W Full scale in 5 ranges. Impedances 2.5-20K Ohm in 48 steps. Direct calibration in Watts and dBm. £85 (+£2).

**GPO JACK SOCKET STRIPS.** 20-WAY Type 320 (3-pole) £2.50 ea. Type 520 (3-pole with switching contacts) £4 ea. Please include 35p each for postage on these. GPO type 316 jack plugs for above 20p ea. (10+ post free). Plus VAT please. Also recent stock of new, mint condition 720 Type, £6 each.

**PHILIPS RF SIGNAL GENERATOR**  
 As new condition Philips PM 5326. AM/FM RF Signal generator covering 0.1-125MHz. Integral 5 digit Frequency display. Mod AM & FM + Sweep facilities. 1 only available.

**P. F. RALFE ELECTRONICS**

10 CHAPEL STREET, LONDON, NW1 TEL: 01-723 8753



**'ADVANCE' 'SCOPES' - SPECIAL OFFER**

A bulk purchase of Advance series 'scopes' enables us to offer the following fully reconditioned, guaranteed units as follows.

OS2000 20MHz dual-beam. 10mV/cm. (2002Y & 2003X P.I.s) £200.  
 OS2100 30MHz dual-beam. 10mV/cm. (plug-in units as above) £230.  
 OS2200 25MHz dual-beam. 10mV/cm STORAGE. 2005X plug-in £316.

N.B. All these prices INCLUDE 15% VAT. Securicor despatch if required + £10 ea. We also have in stock various optional plug-in units such as Differential (50uV) Y-amp, Sweep-delay X-amp, etc. Please call for details. For full spec SAE please.

**ADVANCE VM77D** Millivoltmeters. 15Hz-4.5MHz. 1mV Full scale -300V AC £95

**WOELKE ME104C.** Wow & Flutter Meter £95  
 AVO Type 1 LCR Component Bridge.  
 WAYNE KERR AF Signal Generator Type S121 £75  
 AIRMEC Wave Analysers Models 853 and 248A.  
 CENTRONICS P1 Printer, one only. AND Type 663 Printer.  
 RHODE & SCHWARZ SDR Signal Generator. 300MHz-1GHz.  
 HEWLETT PACKARD 608C Signal Generator. 10-480MHz AM.  
 MARCONI Component Bridge Model TF2700. (LC&R).  
 OKIDATA CORP Series 3300 Hard-Disc Drives.  
 TALLY Model 220 Line Printers.

**BELL & HOWELL MICROSCOPE VIEWERS**  
 Type SR5. Screen size 9x5". Recent small quantity now avail. £85

**SWEEEPERS**  
 TELONIC Sweep generator system type 2003. Fitted with Marker, attenuator, Detector plug-in units and Generator covering 800-1500MHz. £325

**PLEASE NOTE.** All the pre-owned equipment shown has been carefully tested in our workshop and reconditioned where necessary. It is sold in first-class operational condition and most items carry a three months' guarantee. For our mail order customers we have a money-back scheme. Repairs and servicing to all equipment at very reasonable rates. PLEASE ADD 15% VAT TO ALL PRICES.

**DISC CARTRIDGES**  
 BASF 12-Segment Single Hard Disc Cartridges. Brand new surplus stock.

**MUIRHEAD FACSIMILE UNITS**  
 MUFAX 'COURIER' facsimile receiver type K441-CH and transmitters K400 AMCH in stock in excellent condition.

**DC POWER SUPPLIES**

1. APT.10459/8. Stabilised Regulated supplies. New stock arrival hence LOWER PRICES. Available in preset output voltages between 6 and 30V DC (state requirements) ±4V approx. Three sizes available, 5A, 7½A & 10A. Prices £20, £25 & £30 respectively (plus postage £2, £2.50 and £4).  
 2. Mullard Dual supplies. Pos/Neg 12V @ 1A & 0.4A. Dimensions 9x4x5". £10 ea. (+£1 p&p).  
 3. Farnell Current limited. 13-17V DC @ 2A. £15. 27-32V DC @ 1A. £15 (+£1 p&p).  
 4. Lambda LXS Series supplied 110V AC Input. 5V @ 14A. £20 (+£2.50 p&p). Various other voltages available from stock in small quantity.  
 5. Coutant 5/6V @ 5A. Small size (7x5x3"). £20 (+£1).  
 6. Variable 0-30V @ 1A. Volt-metered. £30.  
 7. Farnell 5V Switching. 60A. £85.

**RF SIGNAL GENERATORS**

**ADVANCE** Type E2. 100kHz-100MHz. Internal AM & Audio O/P. 1uV-100mV output. Price each £50 inc. VAT.  
**TAYLOR** Type 68A/M. 100kHz-240MHz. Internal Modulation. £80 inc. VAT.  
 All of these units are in full working condition and carry our usual 90-Day Warranty. In both cases please add £2 each for carriage.

**MILLI-VOLT MEASUREMENT, ANALOGUE**

**MARCONI TF2800.** Twelve ranges 1mV-300V FSD. Wide-band to 10MHz.  
**MARCONI TF2803.** Frequency range 50kHz-1.5GHz. High Sensitivity from 300uV.  
**MARCONI TF2804.** Electronic Multi-meter. AC/DC 300mV Full scale to 300V (1kV DC). Resistance ranged. AC Frequency range 20Hz-1500MHz.

**BRUEL & KJOER**  
 Model 2006 Heterodyne Voltmeter. AM/FM/Voltage measurements to 240MHz.

**CLAUDE LYONS 240V AC REGULATORS**

Small quantity available of constant voltage mains regulators. Continuous current rating 5A. Model no. CVR-1200. Input 204-252V. Output adjustable 200-254V AC± 0.3%. 45-65Hz. Condition as new. (Dims - 11"x7"x6"). Weight 20Kgs). Price £95 ea. + Carriage £5.

**ROTRON INSTRUMENT COOLING FANS**

★ Supplied in excellent condition, fully tested.  
 ★ 115V. 4.5x4.5x1.5" £4.50. 230V £5. 115V.  
 ★ 3x3x1.5" £4 + postage ea. 35p.  
 ★ Also brand new 230V at £8 ea. ww-10★

# Sowter Transformers

With 40 years' experience in the design and manufacture of several hundred thousand transformers we can supply:

## AUDIO FREQUENCY TRANSFORMERS OF EVERY TYPE YOU NAME IT! WE MAKE IT! OUR RANGE INCLUDES

Microphone transformers (all types), Microphone Splitter/Combiner transformers. Input and Output transformers, Direct Injection transformers for Guitars, Multi-Secondary output transformers, Bridging transformers, Line transformers, Line transformers to G.P.O. Isolating Test Specification, Tapped impedance matching transformers, Gramophone Pickup transformers, Audio Mixing Desk transformers (all types), Miniature transformers, Microminiature transformers for PCB mounting, Experimental transformers, Ultra low frequency transformers, Ultra linear and other transformers for Transistor and Valve Amplifiers up to 500 watts, Inductive Loop Transformers, Smoothing Chokes, Filter, Inductors, Amplifier to 100 volt line transformers (from a few watts up to 1,000 watts), 100 volt line transformers to speakers, Speaker matching transformers (all powers), Column Loudspeaker transformers up to 300 watts or more.

We can design for RECORDING QUALITY, STUDIO QUALITY, HI-FI QUALITY OR P.A. QUALITY. OUR PRICES ARE HIGHLY COMPETITIVE AND WE SUPPLY LARGE OR SMALL QUANTITIES AND EVEN SINGLE TRANSFORMERS. Many standard types are in stock and normal dispatch times are short and sensible. OUR CLIENTS COVER A LARGE NUMBER OF BROADCASTING AUTHORITIES, MIXING DESK MANUFACTURERS, RECORDING STUDIOS, HI-FI ENTHUSIASTS, BAND GROUPS, AND PUBLIC ADDRESS FIRMS. Export is a speciality and we have overseas clients in the COMMONWEALTH, E.E.C., USA, MIDDLE EAST, etc. Send for our questionnaire which, when completed, enables us to post quotations by return.

# E. A. Sowter Ltd.

Manufacturers and Designers  
 E. A. SOWTER LTD. (Established 1941) : Reg. No. England 303990  
 The Boat Yard, Cullingham Road, Ipswich IP1 2EG, Suffolk  
 P.O. Box 36, Ipswich, IP1 2EL, England  
 Phone: 0473 52794 and 0473 219390  
 Telex 987703G Sowter

WW - 023 FOR FURTHER DETAILS

# 6FT. PARABOLIC DISHES FROM ONLY £85 PLUS V.A.T.

6ft. dia. dishes, feed horns and electronics for use in 4GHz satellite reception. GaAs Fet transistors, SMA connectors, P.T.F.E., etc. available. Please send s.a.e. for full details and data sheets.

## Harrison Bros.

Electronic Distributors  
 22 Milton Road, Westcliff-on-Sea, Essex SS0 7JX  
 Tel. Southend (0702) 332338

WW - 059 FOR FURTHER DETAILS



# EASY ON THE EARS.

Weighing in at only 35 grams, and sitting lightly on the ears, the Danavox HMT 808 is probably the most comfortable headset on the market. Particularly as it can be worn either over the head, or under the chin. And for such an advanced piece of equipment, it's also remarkably easy on the pocket. It has a multiple version microphone, either magnetic or electret, with a noise cancelling

feature and pre-amp for matching into communications systems. Servicing and repairs are readily available, as the components are all easily replaced. And naturally, Danavox quality means it carries the Danavox guarantee. If you'd like to hear more, contact John Carter.

**DANAVOX**  
 Danavox (Great Britain) Limited, 1 Cheyne Walk, Northampton, NN1 5PT  
 Tel: Northampton (0604) 36351 Telex: 312395

WW - 069 FOR FURTHER DETAILS



# A COMPETITION OPEN TO ALL WIRELESS WORLD READERS WITH £8000 IN CASH PRIZES

Design an Electronic Device  
to help the Disabled

Could you design a piece of equipment to help a disabled person? If so, you would — in addition to undertaking this worthy task — be eligible to win a substantial cash prize.

Our competition is open to individuals or groups resident in the UK. You register your entry using the form below, sending it to the Editor to arrive at his office not later than June 30th 1983. The designs themselves must be submitted to his office by 1st October 1983.

Entries, which will be judged by a group of eminent engineers and doctors, must consist of the following: - a statement of the design objectives; an overall description of the device; detailed circuit descriptions and diagrams; a model of the device or a model of a unique aspect of the design sufficient to demonstrate its feasibility.

The finalists will be invited to London to talk over their entries with the judges and be awarded their prizes. The prizes are:

**1st prize £2,500**  
**2nd prize £1,500**  
and the 4 runners up will be awarded prizes each of **£1,000**

To make sure you have the maximum time to undertake your design, return your entry form now!

## "DESIGN AN ELECTRONIC DEVICE TO HELP THE DISABLED" LIST OF RULES

- The competition is open to U.K. residents only.
- Entrants can be individuals or groups.
- All participants must register their interest in entering the competition on the form provided which must be returned to the Wireless World Editorial Department by the 30th June 1983.
- All entrants agree to give Wireless World first serial publication rights to an article describing the entry.
- All entrants indemnify Wireless World from any liability in respect of injury to people or damage to property arising from the use of the design.
- All submitted designs must be the original work of the entrant or entrants and must not infringe the rights of third parties in anyway.
- All submissions should consist of:
  - A statement of design objectives
  - An overall description of the device
  - Detailed circuit descriptions and diagrams
  - A model of the device or the unique aspect of the design sufficient to demonstrate its feasibility.
- The design will be judged on:
  - Originality and benefit to the handicapped
  - Potential for production
  - Elegance of engineering design
  - Electronics content
  - Design reliability
  - Simplicity of operation
  - Freedom from excessive maintenance
- A safety.
- Software only solutions are not accepted.

- The judges' decision is final.
- All designs must be submitted to the Wireless World Editor by the 1st October 1983.
- Shortlisted entrants must be prepared to travel to a venue in London sometime during November and December 1983 to demonstrate their design. All costs will be paid by the journal.
- Employers of Business Press International are not allowed to enter this competition.

## wireless world ENTRY FORM

"Design an electronic device to help the disabled"

Name of competitor \_\_\_\_\_

Address \_\_\_\_\_

Telephone (home) \_\_\_\_\_

(business) \_\_\_\_\_

I intend to enter the competition and to abide by the rules as laid down in the May 1983 issue of Wireless World.

I understand that, in order to qualify, my entry must be in the hands of the judges by 1st October, 1983

Signature \_\_\_\_\_

Date \_\_\_\_\_

Please send this form, as soon as possible, to:

The Editor, WIRELESS WORLD  
Room L302, Quadrant House, The Quadrant  
Sutton, Surrey SM2 5AS.

Receipt of the form will be acknowledged.

# LANGREX SUPPLIES LTD

Climax House, Fallsbrook Rd., Streatham, London SW16 6ED

RST Tel: 01-677 2424 Telex: 946708 RST

SEMICONDUCTORS		VALVES		INTEGRATED CIRCUITS	
AA119 0.10	ASZ15 1.20	BC172 0.11	BD131 0.44	BF257 0.27	GEX341 5.00
AA130 0.17	ASZ16 1.10	BC173 0.11	BD132 0.48	BF258 0.28	GA0378A 1.75
AA131 0.15	ASZ20 2.30	BC177 0.28	BD136 0.40	BF259 0.34	GM40378A 1.75
AA132 0.15	ASZ21 2.50	BC178 0.28	BD137 0.40	BF260 0.34	GM40378A 1.75
AA133 0.15	ASZ22 2.50	BC179 0.28	BD138 0.40	BF261 0.34	GM40378A 1.75
AA134 0.15	ASZ23 2.50	BC182 0.11	BD139 0.48	BF262 0.34	GM40378A 1.75
AA135 0.15	ASZ24 2.50	BC183 0.11	BD140 0.48	BF263 0.34	GM40378A 1.75
AA136 0.15	ASZ25 2.50	BC184 0.11	BD141 2.00	BF264 0.34	GM40378A 1.75
AA137 0.15	ASZ26 2.50	BC185 0.11	BD142 2.00	BF265 0.34	GM40378A 1.75
AA138 0.15	ASZ27 2.50	BC186 0.11	BD143 2.00	BF266 0.34	GM40378A 1.75
AA139 0.15	ASZ28 2.50	BC187 0.11	BD144 2.00	BF267 0.34	GM40378A 1.75
AA140 0.15	ASZ29 2.50	BC188 0.11	BD145 2.00	BF268 0.34	GM40378A 1.75
AA141 0.15	ASZ30 2.50	BC189 0.11	BD146 2.00	BF269 0.34	GM40378A 1.75
AA142 0.15	ASZ31 2.50	BC190 0.11	BD147 2.00	BF270 0.34	GM40378A 1.75
AA143 0.15	ASZ32 2.50	BC191 0.11	BD148 2.00	BF271 0.34	GM40378A 1.75
AA144 0.15	ASZ33 2.50	BC192 0.11	BD149 2.00	BF272 0.34	GM40378A 1.75
AA145 0.15	ASZ34 2.50	BC193 0.11	BD150 2.00	BF273 0.34	GM40378A 1.75
AA146 0.15	ASZ35 2.50	BC194 0.11	BD151 2.00	BF274 0.34	GM40378A 1.75
AA147 0.15	ASZ36 2.50	BC195 0.11	BD152 2.00	BF275 0.34	GM40378A 1.75
AA148 0.15	ASZ37 2.50	BC196 0.11	BD153 2.00	BF276 0.34	GM40378A 1.75
AA149 0.15	ASZ38 2.50	BC197 0.11	BD154 2.00	BF277 0.34	GM40378A 1.75
AA150 0.15	ASZ39 2.50	BC198 0.11	BD155 2.00	BF278 0.34	GM40378A 1.75
AA151 0.15	ASZ40 2.50	BC199 0.11	BD156 2.00	BF279 0.34	GM40378A 1.75
AA152 0.15	ASZ41 2.50	BC200 0.11	BD157 2.00	BF280 0.34	GM40378A 1.75
AA153 0.15	ASZ42 2.50	BC201 0.11	BD158 2.00	BF281 0.34	GM40378A 1.75
AA154 0.15	ASZ43 2.50	BC202 0.11	BD159 2.00	BF282 0.34	GM40378A 1.75
AA155 0.15	ASZ44 2.50	BC203 0.11	BD160 2.00	BF283 0.34	GM40378A 1.75
AA156 0.15	ASZ45 2.50	BC204 0.11	BD161 2.00	BF284 0.34	GM40378A 1.75
AA157 0.15	ASZ46 2.50	BC205 0.11	BD162 2.00	BF285 0.34	GM40378A 1.75
AA158 0.15	ASZ47 2.50	BC206 0.11	BD163 2.00	BF286 0.34	GM40378A 1.75
AA159 0.15	ASZ48 2.50	BC207 0.11	BD164 2.00	BF287 0.34	GM40378A 1.75
AA160 0.15	ASZ49 2.50	BC208 0.11	BD165 2.00	BF288 0.34	GM40378A 1.75
AA161 0.15	ASZ50 2.50	BC209 0.11	BD166 2.00	BF289 0.34	GM40378A 1.75
AA162 0.15	ASZ51 2.50	BC210 0.11	BD167 2.00	BF290 0.34	GM40378A 1.75
AA163 0.15	ASZ52 2.50	BC211 0.11	BD168 2.00	BF291 0.34	GM40378A 1.75
AA164 0.15	ASZ53 2.50	BC212 0.11	BD169 2.00	BF292 0.34	GM40378A 1.75
AA165 0.15	ASZ54 2.50	BC213 0.11	BD170 2.00	BF293 0.34	GM40378A 1.75
AA166 0.15	ASZ55 2.50	BC214 0.11	BD171 2.00	BF294 0.34	GM40378A 1.75
AA167 0.15	ASZ56 2.50	BC215 0.11	BD172 2.00	BF295 0.34	GM40378A 1.75
AA168 0.15	ASZ57 2.50	BC216 0.11	BD173 2.00	BF296 0.34	GM40378A 1.75
AA169 0.15	ASZ58 2.50	BC217 0.11	BD174 2.00	BF297 0.34	GM40378A 1.75
AA170 0.15	ASZ59 2.50	BC218 0.11	BD175 2.00	BF298 0.34	GM40378A 1.75
AA171 0.15	ASZ60 2.50	BC219 0.11	BD176 2.00	BF299 0.34	GM40378A 1.75
AA172 0.15	ASZ61 2.50	BC220 0.11	BD177 2.00	BF300 0.34	GM40378A 1.75
AA173 0.15	ASZ62 2.50	BC221 0.11	BD178 2.00	BF301 0.34	GM40378A 1.75
AA174 0.15	ASZ63 2.50	BC222 0.11	BD179 2.00	BF302 0.34	GM40378A 1.75
AA175 0.15	ASZ64 2.50	BC223 0.11	BD180 2.00	BF303 0.34	GM40378A 1.75
AA176 0.15	ASZ65 2.50	BC224 0.11	BD181 2.00	BF304 0.34	GM40378A 1.75
AA177 0.15	ASZ66 2.50	BC225 0.11	BD182 2.00	BF305 0.34	GM40378A 1.75
AA178 0.15	ASZ67 2.50	BC226 0.11	BD183 2.00	BF306 0.34	GM40378A 1.75
AA179 0.15	ASZ68 2.50	BC227 0.11	BD184 2.00	BF307 0.34	GM40378A 1.75
AA180 0.15	ASZ69 2.50	BC228 0.11	BD185 2.00	BF308 0.34	GM40378A 1.75
AA181 0.15	ASZ70 2.50	BC229 0.11	BD186 2.00	BF309 0.34	GM40378A 1.75
AA182 0.15	ASZ71 2.50	BC230 0.11	BD187 2.00	BF310 0.34	GM40378A 1.75
AA183 0.15	ASZ72 2.50	BC231 0.11	BD188 2.00	BF311 0.34	GM40378A 1.75
AA184 0.15	ASZ73 2.50	BC232 0.11	BD189 2.00	BF312 0.34	GM40378A 1.75
AA185 0.15	ASZ74 2.50	BC233 0.11	BD190 2.00	BF313 0.34	GM40378A 1.75
AA186 0.15	ASZ75 2.50	BC234 0.11	BD191 2.00	BF314 0.34	GM40378A 1.75
AA187 0.15	ASZ76 2.50	BC235 0.11	BD192 2.00	BF315 0.34	GM40378A 1.75
AA188 0.15	ASZ77 2.50	BC236 0.11	BD193 2.00	BF316 0.34	GM40378A 1.75
AA189 0.15	ASZ78 2.50	BC237 0.11	BD194 2.00	BF317 0.34	GM40378A 1.75
AA190 0.15	ASZ79 2.50	BC238 0.11	BD195 2.00	BF318 0.34	GM40378A 1.75
AA191 0.15	ASZ80 2.50	BC239 0.11	BD196 2.00	BF319 0.34	GM40378A 1.75
AA192 0.15	ASZ81 2.50	BC240 0.11	BD197 2.00	BF320 0.34	GM40378A 1.75
AA193 0.15	ASZ82 2.50	BC241 0.11	BD198 2.00	BF321 0.34	GM40378A 1.75
AA194 0.15	ASZ83 2.50	BC242 0.11	BD199 2.00	BF322 0.34	GM40378A 1.75
AA195 0.15	ASZ84 2.50	BC243 0.11	BD200 2.00	BF323 0.34	GM40378A 1.75
AA196 0.15	ASZ85 2.50	BC244 0.11	BD201 2.00	BF324 0.34	GM40378A 1.75
AA197 0.15	ASZ86 2.50	BC245 0.11	BD202 2.00	BF325 0.34	GM40378A 1.75
AA198 0.15	ASZ87 2.50	BC246 0.11	BD203 2.00	BF326 0.34	GM40378A 1.75
AA199 0.15	ASZ88 2.50	BC247 0.11	BD204 2.00	BF327 0.34	GM40378A 1.75
AA200 0.15	ASZ89 2.50	BC248 0.11	BD205 2.00	BF328 0.34	GM40378A 1.75
AA201 0.15	ASZ90 2.50	BC249 0.11	BD206 2.00	BF329 0.34	GM40378A 1.75
AA202 0.15	ASZ91 2.50	BC250 0.11	BD207 2.00	BF330 0.34	GM40378A 1.75
AA203 0.15	ASZ92 2.50	BC251 0.11	BD208 2.00	BF331 0.34	GM40378A 1.75
AA204 0.15	ASZ93 2.50	BC252 0.11	BD209 2.00	BF332 0.34	GM40378A 1.75
AA205 0.15	ASZ94 2.50	BC253 0.11	BD210 2.00	BF333 0.34	GM40378A 1.75
AA206 0.15	ASZ95 2.50	BC254 0.11	BD211 2.00	BF334 0.34	GM40378A 1.75
AA207 0.15	ASZ96 2.50	BC255 0.11	BD212 2.00	BF335 0.34	GM40378A 1.75
AA208 0.15	ASZ97 2.50	BC256 0.11	BD213 2.00	BF336 0.34	GM40378A 1.75
AA209 0.15	ASZ98 2.50	BC257 0.11	BD214 2.00	BF337 0.34	GM40378A 1.75
AA210 0.15	ASZ99 2.50	BC258 0.11	BD215 2.00	BF338 0.34	GM40378A 1.75
AA211 0.15	ASZ100 2.50	BC259 0.11	BD216 2.00	BF339 0.34	GM40378A 1.75
AA212 0.15	ASZ101 2.50	BC260 0.11	BD217 2.00	BF340 0.34	GM40378A 1.75
AA213 0.15	ASZ102 2.50	BC261 0.11	BD218 2.00	BF341 0.34	GM40378A 1.75
AA214 0.15	ASZ103 2.50	BC262 0.11	BD219 2.00	BF342 0.34	GM40378A 1.75
AA215 0.15	ASZ104 2.50	BC263 0.11	BD220 2.00	BF343 0.34	GM40378A 1.75
AA216 0.15	ASZ105 2.50	BC264 0.11	BD221 2.00	BF344 0.34	GM40378A 1.75
AA217 0.15	ASZ106 2.50	BC265 0.11	BD222 2.00	BF345 0.34	GM40378A 1.75
AA218 0.15	ASZ107 2.50	BC266 0.11	BD223 2.00	BF346 0.34	GM40378A 1.75
AA219 0.15	ASZ108 2.50	BC267 0.11	BD224 2.00	BF347 0.34	GM40378A 1.75
AA220 0.15	ASZ109 2.50	BC268 0.11	BD225 2.00	BF348 0.34	GM40378A 1.75
AA221 0.15	ASZ110 2.50	BC269 0.11	BD226 2.00	BF349 0.34	GM40378A 1.75
AA222 0.15	ASZ111 2.50	BC270 0.11	BD227 2.00	BF350 0.34	GM40378A 1.75
AA223 0.15	ASZ112 2.50	BC271 0.11	BD228 2.00	BF351 0.34	GM40378A 1.75
AA224 0.15	ASZ113 2.50	BC272 0.11	BD229 2.00	BF352 0.34	GM40378A 1.75
AA225 0.15	ASZ114 2.50	BC273 0.11	BD230 2.00	BF353 0.34	GM40378A 1.75
AA226 0.15	ASZ115 2.50	BC274 0.11	BD231 2.00	BF354 0.34	GM40378A 1.75
AA227 0.15	ASZ116 2.50	BC275 0.11	BD232 2.00	BF355 0.34	GM40378A 1.75
AA228 0.15	ASZ117 2.50	BC276 0.11	BD233 2.00	BF356 0.34	GM40378A 1.75
AA229 0.15	ASZ118 2.50	BC277 0.11	BD234 2.00	BF357 0.34	GM40378A 1.75
AA230 0.15	ASZ119 2.50	BC278 0.11	BD235 2.00	BF358 0.34	GM40378A 1.75
AA231 0.15	ASZ120 2.50	BC279 0.11	BD236 2.00	BF359 0.34	GM40378A 1.75
AA232 0.15					



# Essex Tiny Basic System

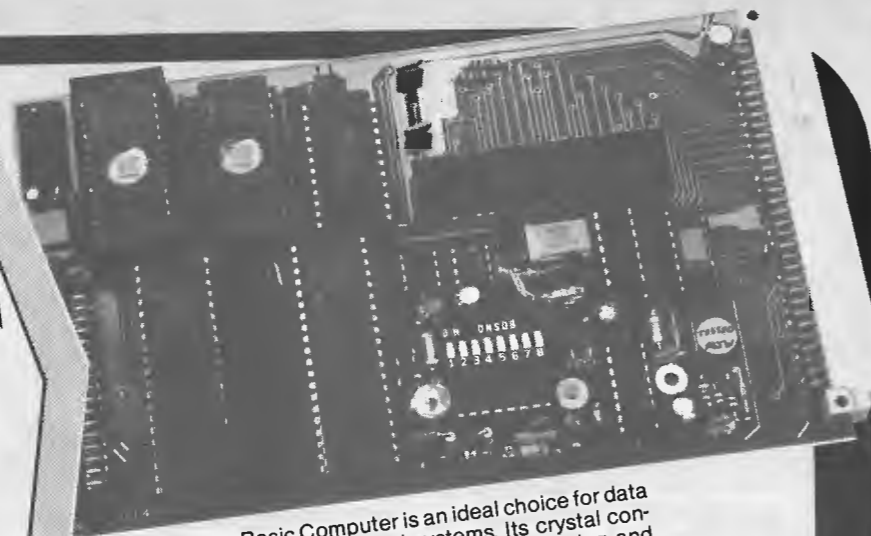
- \* RS232 Interface 48 I/O Lines
- \* Powerful National INS 8073 Processor
- \* Autostart Operation with Watchdog Timer
- \* Up to 16K Byte EPROM EPROM Programmer
- \* Accommodates Instant ROM Modules

PRICE EXCLUDING VAT: £185  
SUBSTANTIAL QUANTITY DISCOUNTS  
CARRIAGE WITHIN THE UK: £2



## Essex Electronics Centre

Wivenhoe Park, Colchester, Essex CO4 3SQ  
Telephone: Colchester (0206) 865089



The Essex Tiny Basic Computer is an ideal choice for data acquisition and process control systems. Its crystal controlled timer and interrupts provide accurate timing and fast response to critical events, while the watchdog timer ensures reliable operation. Programs can be entered and tested from an RS232 terminal, and then be copied into EPROM. Alternatively, Instant ROM modules may be used both during development and for program storage.

'INSTANT ROM' is the trademark of Greenwich Instruments

— PLEASE SEND FOR FULL INFORMATION

\* NOW AVAILABLE

The Essex Buffer/Timer Board 24 Buffered Inputs 16 Buffered Outputs 4 Hardware Timers

Provides easy interfacing to the computer

WW - 014 FOR FURTHER DETAILS

# THANDAR PORTABLE TEST BENCH

A wide range of high performance instruments, at prices that are hard to beat, puts professional test capability on your bench.

**COUNTERS** - TF200 10Hz to 200MHz; TF040 10Hz to 40MHz; PFM200A 20Hz to 200MHz (hand-held model); TP600 prescales to 600MHz; TP1000 Prescales to 1GHz.

**MULTIMETERS** - TM351 0.1% 3 1/2 digit LCD; TM353 0.25% 3 1/2 digit LCD; TM355 0.25% 3 1/2 digit LED; TM354 0.75% 3 1/2 digit LCD (hand-held model); TM451 0.03% 4 1/2 digit with autoranging and sample hold.

**OSCILLOSCOPE** - SC110A 10MHz, 10mV sensitivity, 40mm CRT with 6mm graticule divisions.

**THERMOMETERS** - TH301 - 50°C to +750°C, 1° resolution; TH302 - 40°C to +1100°C and -40°F to +2000°F, 0.1° and 1° resolution. Both accept any type K thermocouple.

**GENERATORS** - TG100 1Hz to 100kHz Function, Sine, Square, Triangle Wave; TG102 0.2Hz to 2MHz Function, Sine, Square, Triangle Wave; TG105 5Hz to 5MHz Pulse, Free Run, Gated or Triggered Modes.

**LOGIC ANALYSERS** - TA2080 8 channel 20MHz; TA2160 16 channel 20MHz.

**ACCESSORIES** - Bench rack, test leads, carrying cases, mains adaptors, probes, thermocouples etc.

Send for our latest catalogue and price list.  
Thandar Electronics Ltd,  
London Road, St. Ives,  
Huntingdon, Cambridgeshire PE17 4HJ.  
Telephone (0480) 64646. Telex 32250.

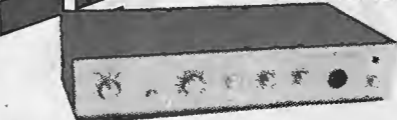


PUTTING THE BEST WITHIN YOUR GRASP

WW - 060 FOR FURTHER DETAILS

# HART

LINSLEY-HOOD  
300 SERIES AMPLIFIERS



These latest designs from the drawing board of John Linsley-Hood, engineered to the very highest standard, represent the very best that is available on the kit market today. The delicacy and transparency of the tone quality enable these amplifiers to outperform on a side-by-side comparison, the bulk of amplifiers in the commercial market-place and even exceed the high standard set by his earlier 75-watt design.

Three versions are offered, a 30-watt with Darlington output transistors, and a 35- and 45-watt, both with Mosfet output devices. All are of identical outside appearance which is designed to match and stack with our Linsley-Hood cassette recorder 2.

As with all Hart kits the constructor's interests have been looked after in a unique way by reducing the conventional (and boring) wiring almost to the point of extinction.

Any of these kits represents a most cost-effective route to the very highest sound quality with the extra bonus of the enjoyment of building a sophisticated piece of equipment.

30-watt Darlington amplifier, fully integrated with tone controls and magnetic pick-up facility. Total cost of all parts is £81.12. Special offer price for complete kits is £66.

35-watt Mosfet amplifier. Total cost of parts £98.41. Special offer for complete kits £78.50.

45-watt Mosfet amplifier. Total cost of parts £104.95. Special offer price for complete kits £83.50.

(Reprints of original Articles from Hi-Fi News 50p. Post free. No VAT. Reprints of MOSFET article 25p. No V.A.T. Post free.)



**'P.W. WINTON' TUNER AND AMPLIFIER**  
Snazzy matching slimline tuner and amplifier in beautiful wooden cabinets. These Ted Rule designs are for the enthusiast. Tuner covers LW, MW, SW, FM and TV sound! Digital frequency readout with clock and timer features. FM has 6 section front end and switchable bandwidth for exceptional fringe area performance. Amplifier has Toroidal transformer, Mosfet output stages, 50 watts per channel and got a cracking review in Practical Wireless.

Tuner, Complete Kit ..... £163  
Amplifier, Complete Kit ..... £98

LINSLEY-HOOD CASSETTE RECORDERS



We have done two kits to this design, one using the original car cassette mechanism and the newer version using a very high quality front loading deck. This new deck has an excellent W & F performance and fitted with our latest Sendust Alloy Super Head gives an incredible frequency range (with good tape you can see 23KHz on ours!).

Linsley-Hood Cassette Recorder 1 ..... £75.00  
Linsley-Hood Cassette Recorder 2 ..... £94.90  
Reprints of "WW" Articles ..... 70p. No VAT

Please Note: New Phone Number: (0691) 652894  
Personal callers are always very welcome but please note that we are closed all day Saturday

## PICOTUTOR & ANALOGUE INTERFACE

**ASSEMBLY LANGUAGE TRAINER**  
The ideal way to learn machine language and become acquainted with the new "single chip" control oriented microprocessors. 1.8K of EPROM, 20 I/O lines, 112 bytes of RAM and a timer all in a single 28-pin I.C. As featured in this, and subsequent issues of WW.

COMPLETE KIT £39.87  
68705 DATA £1.95

ANALOGUE INTERFACE  
COMPLETE KIT £9.39  
16 WAY LEAD £2.35 extra

**MAGENTA ELECTRONICS LIMITED (W17)**  
135 Hunter Street, Burton-on-Trent, Staffs. DE14 2ST, 0283 65435

## COST EFFECTIVE ELECTRONIC IGNITION

Compleat kit for this efficient C.D. system featured in March '82 WW. Includes: Case, improved PCB, ferrite transformer core, winding wire, all components, hardware and instructions.

£14.92 P&P 45p

All prices include VAT. Add 45p P&P. Mail Order only.

WW - 055 FOR FURTHER DETAILS

## THIS MONTH'S SPECIAL OFFER

### COMPLETE STEREO CASSETTE DECK

Brand-new high-quality stereo cassette unit with built-in record and play electronics. Ideal for use with any hi-fi system or music centre. Only a single 9-volt DC supply is required to power the whole unit.

Microphone and line inputs are provided on both channels and the line output will feed into any normal hi-fi amplifier. Erase and bias is provided by an ultrasonic oscillator, automatically switching to the correct level when a chrome or ferric cassette is put in place. Overall size 180mm x 130mm x 73mm. Complete with 3-digit counter.

We value this deck at about £30. OUR VERY SPECIAL PRICE INCLUDING VAT AND POSTAGE - THIS IS ALL YOU PAY - ONLY £18.34 (while stocks last).

### FEED YOUR MICRO BYTES WITH OUR SOLENOID CONTROLLED CASSETTE DECK



Front loading deck with full solenoid control of all functions including optional read in fast wind modes. 12 volt operation. Fitted 3-digit memory counter and Hall IC Motion Sensor. Standard erase and stereo R/P Heads. Cheapest price ever for all these features. Only £38.90 plus VAT. Full technical specification included.

### LINSLEY-HOOD 100 WATT POWER AMPLIFIER

Our complete kit for this brilliant new design is the same size as our Linsley-Hood Cassette Recorder 2. Kit includes all parts for two power amplifiers with large heatsink area, huge power supply and speaker protection circuit. Total cost of all parts is £114.46 but our special introductory price for all parts bought together is only £105.50.

## HIGH QUALITY REPLACEMENT CASSETTE HEADS



Do your tapes lack treble? A worn head could be the problem. Fitting one of our replacement heads could restore performance to better than new! Standard mountings make fitting easy and our TC1 Test Cassette helps you set the azimuth spot-on. We are the actual importers which means you get the benefit of lower prices for prime parts. Compare us with other suppliers and see! The following is a list of our most popular heads, all are suitable for use on Dolby machines and are ex-stock.

HC20 Permalloy Stereo Head. This is the standard head fitted as original equipment on most decks ..... £4.25  
HM90 High Beta Permalloy Head. A hard-wearing high performance head with metal capability ..... £8.20  
HS16 Sendust Alloy Super Head. The best head we can find. Longer life than Permalloy, higher output than Ferrite, fantastic frequency response ..... £8.20  
HO551 4-Track Head for auto-reverse or quadrophonic use. Full specification record and playback head ..... £7.40  
Please consult our list for technical data on these and other Special Purpose Heads.

### STUART TAPE CIRCUITS

(For reel-to-reel decks)  
These circuits are just the thing for converting that old valve tape deck into a useful transistorised recorder. Total system is a full three head recorder with separate record and replay sections for simultaneous over tape monitoring. We also stock the heads. This kit is well engineered but does not have the detailed instructions that we give with more recent designs. We would not therefore recommend it to beginners. Reprints of the original three articles 45p. Post free. No VAT.

### HART TRIPLE-PURPOSE TEST CASSETTE TC1

One inexpensive test cassette enables you to set up VU level, head azimuth and tape speed. Invaluable when fitting new heads. Only £3.80 plus VAT and 50p postage.

Tape Head De-magnetiser. Handy cassette size mains operated unit prevents build up of residual head magnetisation causing noise on playback ..... £3.88

### CASSETTE MOTORS

Brand New Governed 12v DC Tape Drive Motor Type MMI-6A2LK  
As used in SF925 and many other decks. 40mm Dia x 35mm Long. Shaft 10.5mm long x 2mm Dia. 6 x 2.5mm Mounting Holes on 26mm PCD on shaft end face. Anti-clockwise rotation at rated speed of 2200 RPM. Free run current 25mA. £4.85 each.

Full details of the entire range of HART products is contained in our illustrated lists.  
Ask for your FREE copy NOW.  
Enquiries for lists are also welcome from overseas but please let us have three IRCs to cover the cost of surface post or 5 IRCs for airmail.

In a hurry? A telephone order with credit card number placed before 3 p.m. will be despatched THAT DAY!

Please add part cost of post, packing and insurance as follows:  
INLAND Orders up to £10 - 50p Postage at cost plus £2  
OVERSEAS Orders £10 to £49 - £1 Postage at cost plus £2 documentation and handling  
Orders over £50 - £1.50

PLEASE ADD VAT TO ALL PRICES



HART ELECTRONIC KITS LTD.  
OSWESTRY, SHROPSHIRE SY10 9AF

## METAL FILM RESISTORS

100R	1k	10k	100k
110R	1k1	11k	110k
120R	1k2	12k	120k
130R	1k3	13k	130k
150R	1k5	15k	150k
160R	1k6	16k	160k
180R	1k8	18k	180k
200R	2k	20k	200k
220R	2k2	22k	220k
240R	2k4	24k	240k
270R	2k7	27k	270k
300R	3k	30k	300k
330R	3k3	33k	330k
360R	3k6	36k	360k
390R	3k9	39k	390k
430R	4k3	43k	430k
470R	4k7	47k	470k
510R	5k1	51k	510k
560R	5k6	56k	560k
620R	6k2	62k	620k
680R	6k8	68k	680k
750R	7k5	75k	750k
820R	8k2	82k	820k
910R	9k1	91k	910k

1/4 Watt, 1% tolerance, 3p each. 89 Values, E24, see left. Minimum order £20. Minimum 10 pcs per value. VAT, P&P incl.

**SPECIAL OFFER**  
10 pcs of each value, 890 pcs  
**£25.30**

**SPECIAL 'POP' PACK**  
100 pcs: 100R, 1K, 4K7, 10K, 47K, 100K, 1M. 50 pcs: 330R, 470R, 1K5, 2K2, 3K3, 22K. Total 1000 pcs. £28.50.

One of each pack £50 only

ORION SCIENTIFIC LTD - 16 Orange Street - London WC2H 7ED

WW - 054 FOR FURTHER DETAILS



# ELECTRIC SHOCK

## 2 WAYS TO RECOVERY

ACT AT ONCE - DELAY IS FATAL

### ELECTRIC SHOCK ACT AT ONCE - DELAY IS FATAL

**make sure it is safe to approach**  
if the casualty is not clear of the source of the shock break the current by switching off the circuit remaining the plug or pulling the cable free. If this is not possible stand on dry insulating material (rubber wood brick blocks) and use a long pole to touch him with bare hands.

**if the casualty is breathing**  
Place casualty in the recovery position and roll medical aid.

**if the casualty is NOT breathing**  
start artificial respiration - speed is essential

**if AFTER FOUR INFLATIONS casualty does not respond to artificial respiration**  
external heart compression

1

Display the ELECTRICAL REVIEW shock first aid chart (356x508mm) supplied in thousands to destinations world-wide. Recent deliveries include consignments to companies in Papua New Guinea, Dubai, United Arab Emirates, The Philippines, apart from UK commercial and industrial, educational, Central Government, Local Authorities' orders.

2

Carry the ELECTRICAL REVIEW pocket-size shock card (92x126mm) designed to help safety and training officers, medical and welfare personnel; all who might find themselves called to save a life. Always pocket your card; there's a useful two-year calendar on the back.

GET IT - READ IT - PRACTISE 1-4  
BE READY TO SAVE A LIFE.  
SOMEONE MIGHT SAVE YOURS.

## ACT AT ONCE - DELAY IS FATAL!

To Electrical-Electronic Press  
General Sales Department  
Room 205  
Quadrant House  
Sutton SM2 5AS  
Surrey  
England

Company Registered Number: 151537 (ENGLAND)  
Registered Office: Quadrant House, The Quadrant  
Sutton, Surrey SM2 5AS

Please send . . . . . copy/copies as indicated

Pocket Card @ 70p each inc VAT  
Paper Chart @ £1.00 each post free  
Card Chart @ £2.00 each post free  
Plastic Chart @ £3.00 each post free

Discounts: 100 + copies 10%  
500 + copies 15%

(Overseas surface and air mail rates supplied on application.)

### EX-STOCK TRANSFORMERS

<b>MAINS ISOLATORS</b> Pri 0-120; 0-100-120V, Sec 0-CT-115Vx2. Ref. VA (Watts) £ P&P 07★ 20 5.32 1.50 149 60 8.84 1.60 150 100 10.06 1.84 151 200 13.89 2.12 152 250 16.31 2.64 153 350 20.34 2.12 154 500 25.02 2.90 155 750 35.91 OA 156 1000 45.89 OA 157 1500 60.52 OA 158 2000 72.43 OA 159 3000 101.12 OA 161 6000 203.65 OA ★115 or 240v sec only. State volts required. Pri 0-220-240V.	<b>30 VOLT RANGE</b> 2x15V sec Sec volts available 3, 4, 5, 6, 8, 9, 10, 12, 15, 18, 20, 24, 30V or 15V-0-15V Ref. 30v 15v £ P&P 112 0.5 1 3.19 1.20 79 1 2 4.32 1.40 3 2 4 6.99 1.60 20 3 4 8.10 1.85 21 4 M 9.67 1.90 51 5 10 11.95 2.00 117 6 12 13.52 2.02 88 8 S 16 18.10 2.26 89 10 20 20.88 2.24 90 12 24 23.20 OA 91 15 30 26.60 3.00 92 20 40 35.64 4.83	<b>SCREENED MINIATURES</b> Pri 240V Ref. mA Sec Volts £ P&P 238 200 3-0-3 3.11 .90 212 1A, 1A 0-6-0-6 3.45 1.20 13 100 9-0-9 2.59 .80 235 330, 330 0-9-0-9 2.41 .90 207 500, 500 0-8-9, 0-8-9 3.36 1.20 208 1A, 1A 0-8-9, 0-8-9 4.27 1.40 236 200, 200 0-15-0-15 2.41 .90 239 50MA 12-0-12 3.11 .90 214 300, 300 0-20-0-20 3.39 1.20 221 700 (DC) 20-12-0-12-20 4.13 1.20 206 1A, 1A 0-15-20, 0-15-20 5.60 1.60 203 500, 500 0-15-27, 0-15-27 4.83 1.50 204 1A, 1A 0-15-27, 0-15-27 7.30 1.60	<b>OTHER PRODUCTS</b> <b>CASING SERVICE</b> We can now case all open transformers listed in sturdy grey metal ventilated boxes (with mounting flange) for safety and protection. Cable in and out. USA 3 pin or 13 amp sockets to order, phone or write for quotes. Industrial Standard Toroids 15VA to 4kVA, made to order. Send or phone specification for quotes. Vacuum varnish impregnated. Split primaries, copper screens. <b>BUDGET METER</b> Sensitivity: 2,000Ω/V. Voltage to 1000V AC/DC. Resistance 0-200K with inst batt 5KΩ Centre Scale. DC current to 100mA. Size 95x65x30mm. Complete with leads, battery and instructions, small enough to slip in a pocket. £8.04 + 80p p&p + VAT 15%. <b>ANTEX SOLDERING IRONS</b> 15W CCN240 or C250 £5. Safety stand £1.75 25W X25 £5.30. 12V 25W car soldering iron kit £5.30 P&P 50p + VAT 15% <b>Precision De-Solder Pumps</b> for one hand working. Large £6.23. P&P 35p + VAT. Small £5.42. P&P 30p + VAT. <b>Cable:</b> Coax, mains, multicore, screened, equipment, wire. <b>PANEL METERS</b> 43x43 mm ...£6.70 0.50mA, 0.500mA, 0.1mA + VAT 82x78 mm ...£7.37 0.30V, 100nA, 100mA, 1A, 5A, 10A, 15V, 100V available + VAT <b>MAINS BATTERY ELIMINATORS</b> Ready to plug into 13A socket. 3, 4.5V, 6, 7.5V, 9, 12V DC @ 300mA £5.10 + £1.20 P&P + VAT 15%. <b>INVERTERS</b> 12- or 24-volt d.c. input; 240v. a.c. output 100W £49.50 150W £121.50 500W £286.00 1kW £240.40 (24V input) Continuous rating + carriage at cost + V.A.T. 15% <b>1/4W METAL OXIDE RESISTORS £1/100</b> Special Offer: TR4 5% Electroil (100s only). 47Ω - 75Ω - 100Ω - 360Ω - 390Ω - 430Ω - 470Ω - 510Ω - 560Ω - 620Ω - 1K - 1K2 - 1K3 - 1K6 - 1K8 - 2K - 2K4 - 3K - 3K6 - 4K - 4K7 - 5K - 5K6 - 6K - 6K2 - 7K - 7K5 - 8K - 8K2 - 10K - 11K - 12K - 13K - 15K - 16K - 18K - 20K - 22K - 27K - 30K. P&P 30p + VAT 15%					
<b>12 or 24-VOLT RANGE</b> 2x12V windings Pri 220-240V Ref. 12v 24v £ P&P 242 0.3 150mA 2.41 .90 213 1 0.5 3.19 1.20 71 2 1.0 4.25 1.20 18 4 2.0 4.91 1.60 85 5 M 2.5 6.78 1.50 70 6 P 3.0 7.69 1.40 108 8 S 4.0 8.98 1.64 72 10 5.0 9.82 1.80 116 12 6.0 10.89 1.90 17 16 8.0 12.97 2.12 115 20 10.0 17.46 2.44 187 30 15.0 21.69 2.64 226 60 30.0 44.45 OA	<b>60 VOLT RANGE</b> Pri 0-120Vx2 2x30V tapped secs volts available 6, 8, 10, 12, 15, 18, 20, 24, 30, 36, 40, 48, 60V, or 24V-0-24V or 30V-0-30V Ref. 60v 30v £ P&P 124 0.5 1 4.70 1.50 126 1 2 7.15 1.50 127 2 4 9.20 1.90 125 3 A 6 13.31 2.02 123 4 M 8 15.15 2.26 40 5 P 10 19.16 2.24 120 6 S 12 21.86 2.64 121 8 16 30.72 OA 122 10 20 35.76 OA 189 12 24 41.22 OA	<b>AUTO TRANSFORMERS</b> Voltages available 105, 115, 190, 200, 210, 220, 230, 240. For step up or step down. Ref. VA (Watts) TAPS £ P&P 113 15 0-10-115-210-240V 2.39 1.20 64 80 0-10-115-210-240V 4.84 1.40 4 150 0-10-115-200-220-240V 6.48 1.60 67 500 0-10-115-200-220-240V 13.30 2.24 84 1000 0-10-115-200-220-240V 22.70 2.80 93 1500 0-10-115-200-220-240V 28.17 OA 95 2000 0-10-115-200-220-240V 42.14 OA 73 3000 0-10-115-200-220-240V 71.64 OA 80 4000 0-10-115-200-220-240V 93.01 OA 57 5000 0-10-115-200-220-240V 108.30 OA	<b>400/440V ISOLATORS</b> 400/440 to 200/240V VA Ref. £ P&P 60 243 8.11 1.50 250 246 16.07 OA 350 247 19.88 OA 500 248 24.77 OA 1000 250 50.53 OA 2000 252 74.79 OA 3000 253 104.86 OA 6000 254 207.82 OA	<b>CASED AUTOS</b> 240V cable input USA 115V outlets VA Price P&P Ref 20 £7.21 1.25 56W 80 £9.35 1.50 64W 150 £12.10 1.84 4W 250 £14.73 1.60 69W 500 £22.14 2.24 67W 1000 £33.74 2.80 84W 2000 £80.47 OA 95W	<b>LOW COST SOLDERING IRONS</b> TO BS SPEC 240V £1.75. Also 12V £1.90 + 30p P&P + VAT 15%. Constant Voltage Transformers for spike-free and stable mains supply 250VA £157.36 + VAT 15% 500VA £219.91 + P&P 1kVA £308.80	<b>EDUCATIONAL METERS.</b> 75x78mm free-standing finger screw connection. i) 0-10A; ii) 0-30V; iii) 0-2A 75x78mm £4.50+66p p&p+VAT 15% Specialist transformer winding services for batch production	<b>BRIDGE RECTIFIERS</b> 200v 2A 45p 200v 4A 65p 400v 2A 55p 400v 4A 85p 100v 25A+ £2.10 400v 6A £1.40 100v 35A £2.80 500v 12A £2.85 P&P 20p. VAT 15%	<b>OVERSEAS ENQUIRIES WELCOMED</b> WW - 037 FOR FURTHER DETAILS

### dB TOTAL CONCEPT SPEAKERS

HIGH QUALITY KITS FOR THE HOME CONSTRUCTOR

We are told that some ready-made speakers - at twice the price - sound as good as the dB range - but we doubt it!

Four models supplied with prefinished solid African Walnut panels and grille foam, plus two economy models with simulated woodgrain finish and grille fabric. No veneering - no varnishing - no soldering - no electronic or woodworking skill required. All cabinet components are accurately machined from smooth MDF for easy assembly. Kits contain all drive units, assembled crossover networks with leads, wadding, foam/grille fabric, screws, bolts, nuts etc. Optional purpose-designed stands (as illustrated). Models suitable for 10-200 watts per channel.

Prices range from £35.95 - £112 per pair.

Details of the dB range (and many others) are contained in our new catalogue - £1.50 post free (cheque, P.O., or phone with your credit card number).

**WILMSLOW AUDIO**  
The firm for Speakers  
0625 529599  
35/39 Church Street, Wilmslow, Cheshire SK9 1AS

WW - 062 FOR FURTHER DETAILS

### MicroSight

MicroSight 1, a complete vision system including software and full documentation for only:

**£495 + vat**

**DIGITHURST**

Digithurst Ltd.  
Leaden Hill, Orwell, Royston, Herts. SG8 5QH  
Telephone: (0223) 208926

WW - 064 FOR FURTHER DETAILS







# Looking for a Distortion Measurement System?

The Amber model 3501 is quite simply the highest performance, most featured, yet lowest cost audio distortion and noise measurement system available.

It offers state-of-the-art performance with THD measurements to below 0.0008% (-102dB), maximum output level to +30dBm and noise measurements to below -120dBm.

It has features like automatic operation, optional balanced input/output and powerful IMD measurement capability. It includes comprehensive noise weighting with four user changeable filters. Unique features like manual spectrum analysis and selectable bandwidth signal-to-noise measurements.

The 3501 is fast, easy to use and its light weight and small size make it very portable. It can even be battery powered.



**amber** Amber Electro Design Inc. 4810 Jean Talon West, Montreal, Canada H4P 2N5. Telephone (514) 735 4105  
Ring-to-day for a demonstration



**Scenic Sounds Equipment Limited**  
97-99 Dean Street, London W1V 5RA Telephone: 01-734 2812/3/4/5 Telex: 27 939 SCENIC G  
Worldwide Export: Gotham Export Corporation, 741 Washington Street New York NY10014

WW - 071 FOR FURTHER DETAILS

9in. MONITOR in attractive case, non standard input, with info. £25.  
Matching ASC11 coded QUERTY KEYBOARD with Numeric Keypad and 27 function keys; £25 each, o. and p. £5. THE PAIR £40.  
12in. MONITOR, cased, non standard input, with info. £20 each.  
With Matching ASC11 coded QUERTY KEYBOARD with Numeric Pad and 24 function keys; £35 the pair.  
POWER UNIT, 240v input; outputs x5v/15a; +24v/1.5a; -24v/3a; £12 each.  
INSTRUMENT CASE, standard 19in. width x 16in. deep x 10in. high; £5 each.  
FLOPPY DISK DRIVE, 8in., by Control Data Corp., 240v input with control electronics; £95, p. and p. £5.  
TWO 8in. FLOPPY DISK DRIVES by Incoterm with drive electronics mounted in case, 25-watt Cannon input/output socket, 240v operation; £175.  
CENTRONIC PRINTER Type 501 with stand, 240v operation; £125, carr. £14.  
CALCOMP 563 DIGITAL PLOTTER with CALCOMP 305 OFFLINE PLOTTER CONTROLLER, in very good condition and working order; £350, carr. extra.  
I.C.L. Type 7181 VDU with keyboard, upper and lower case, green screen; £30.  
TEKTRONIX HARD COPY UNIT Type 4610-1, can be used with 4010 series computer display terminals; £375.  
FACIT CASSETTE UNIT Model 4203 with internal electronics; £30.

Item No.  
2 TEKTRONIX OSCILLOSCOPE Type T935A, dual trace, 35MHz delay sweep, AS NEW £550  
3 TELEQUIPMENT OSCILLOSCOPE Type D67A, dual trace, 25MHz delay sweep. £395  
5 TELEQUIPMENT OSCILLOSCOPE Type D61A, dual trace, 10MHz. £180  
17 MARCONI FM/AM SIGNAL GENERATOR TFS9A/SS, 1.5-220MHz, AM/FM - od. £190  
28 LARGE GEAR COLOURMATCH 625 PATTERN GENERATOR Type CM6004-PG. £25  
31 RANK E.H.T. METER, 0-30kv dc. £30  
32 METRIX WOBBLATOR Type 210. £25  
33 PHILIPS WOBBLATOR Type GM2877S. £50  
34 ADVANCE RF SIGNAL GENERATOR Type 62, 150KHz-220MHz, cw/mod. £30  
39 ADVANCE RF SIGNAL GENERATOR Type E2, 100KHz-100MHz, cw/mod. £40  
41 ERNST TURNER 6in. ELECTROSTATIC VOLTMETER Model 32, 0-2.5kv. £12  
42 ERNST TURNER 6in. ELECTROSTATIC VOLTMETER Model 32, 0-5kv. £14  
48 AVO MULTIMETER Model 72, compact. £12

Stockists of NEW SOPEX AND SAFGAN OSCILLOSCOPES. Also many other ITEMS OF TEST EQUIPMENT AND COMPONENTS in stock. For further details contact DWAYNE STEWART.

**STEWART OF READING**  
110 WYKEHAM ROAD, READING, BERKS RG6 1PL  
Telephone: 0734 68041

Callers welcome 9 a.m. to 5.30 p.m. Monday to Saturday inclusive

WW - 058 FOR FURTHER DETAILS

50 SOLARTRON DIGITAL VOLTMETER Type LM420.2  
54 AVO TRANSISTOR TESTER Type TT169 with leads, as new (p. and p. £2) £20  
57 TAYLOR VALVE TESTER Model 45D2. £35  
80 PYE SCALAMP ELECTROSTATIC VOLT METER, 0-40kv. £35  
66 AUTO TRANSFORMER, 1000 VA, brand new £15  
90 AVO VALVE TESTER Type CT160, 22 valve bases £20  
95 AVO HIGH-VOLTAGE DC MULTIPLIER for 20,000 ohm/volt meters. £20  
96 GENERAL RADIO CAPACITOR 2000v dc, 110mf. £10  
109 MARCONI SANDERS MICROWAVE POWER METER Type 6596 with thermistor mount type 6046/B, 0.5MHz-11GHz. £125  
110 NARDA PEAK POWER METER Model 66A3A - no bolometer. £50  
116 MARCONI SENSITIVE VALVE VOLTMETER Type TF2600, 10Hz-10MHz, 1mV-300v fsd. £75  
141 WAYNE KERR UNIVERSAL BRIDGE Type B224, 0.1% £275  
142 SOLARTRON/SCHLUMBERGER DVM Type A220, 8-digit, input sensitivity 10 mV/volts to 1kv £50  
175 TINSLEY WHEATSTONE BRIDGE Type 405 (Post Office pattern). £10  
178 CROICO THERMOCOUPLE POTENTIOMETER Type P4. £20  
206 RACAL H.F. SELECTIVE ANALYSER Type 9056, SSB (2-tone); AM Modulation, FM calibration and transmission measuring. £150  
207 LAMBA REGULATED POWER SUPPLY Model LMFA 24-0V-V, input 240v, output 24v dc, 14a max.; +/-5% £90  
210 H1VOLT Type 30PMSR HIGH-VOLTAGE POWER UNIT, 0-30kv; 0-1MA. £45  
211 MARCONI RF POWER METER Type TF1020A/1, 50 ohm. £85  
212 B & K AUDIO FREQUENCY SPECTROMETER Type 2113, as new. £360  
213 TEKTRONIX STORAGE DISPLAY UNIT Type 611, screen size 8 1/2 x 6 1/2in. £495  
216 TEKTRONIX READOUT OSCILLOSCOPE Type 567 with 3576 sampling dual trace and 3171A sampling sweep and 681A digital unit. £400  
240 ADVANCE FM/AM Signal Generator type S.G. 63F, 4-230 MHz. £125  
241 ADVANCE FM/AM Signal Generator type S.G. 7.5-230 MHz. £125  
244 WAYNE KERR UNIVERSAL BRIDGE CT530 (B221) with LOW IMPEDANCE ADAPTOR Q221A (Late style). £125  
245 TELONIC SWEEP GENERATOR Type S231A, 440-920 MHz with variable marker. £50  
258 HEWLETT PACKARD POWER METER, type 431B with head type 8478B, 10MHz-18GHz. £250  
267 TAYLOR INSULATION TESTER type 1308, 500 volts Max. £20

EQUIPMENT IN WORKING ORDER. Please check availability before ordering. Carriage all units, £7; VAT to be added to total of Goods and Carriage. S.A.E. for LISTS.

## STEREO STABILIZER

APRS STAND 99 JUNE 22-24



- Rack mounting frequency shifter for howl reduction in public address and sound reinforcement
- Mono version and box types also available

**SURREY ELECTRONICS, The Forge, Lucks Green Cranleigh, Surrey GU6 7BG Telephone: 0483 275997**

## Spring Reductions

on the following items ex stock:

**MARKER SLEEVING** (Nova), colour coded, most sizes and materials; competitive prices  
**CARTRIDGE FUSES** (Beswick), good selection of types and ratings at discount prices (30%)  
**AUDIBLE WARNING DEVICES** (Besson) Solid-State Banshees, Cyber-tones, Bleepones, Bleepester, etc. **SAMPLES** of any at quantity rate  
**WIRE WOUND RESISTORS** (Osborne), 5W, 7W, 11W, 17W; 116 different values and ratings in stock at special prices  
**ELMA RANGE** of knobs and accessories; lowest prices  
**CRIMP TERMINALS**, small or large quantities  
**CARBON FILM RESISTORS**; 4,000,000 must go, mainly 1/2W and 1/4W; also available: 1/2W, 1W and 2W; really low prices.

Write, call or phone (0732) 851345  
NOVAPRODUCTS (ABP Ltd.)  
Crystalate Works, Golden Green  
Tonbridge, Kent TN11 0LH

WW - 070 FOR FURTHER DETAILS

To obtain further details of any of the coded items mentioned in the Editorial or Advertisement pages of this issue, please complete one or more of the attached cards entering the reference number(s). Your enquiries will be passed on to the manufacturers concerned and you can expect to hear from them direct in due course. Cards posted from abroad require a stamp. These Service Cards are valid for six months from the date of publication.

Please Use Capital Letters

If you are way down on the circulation list, you may not be getting the information you require from the journal as soon as you should. Why not have your own copy?

To start a one year's subscription you may apply direct to us by using the card at the bottom of this page. You may also apply to the agent nearest to you, their address is shown below.

### OVERSEAS SUBSCRIPTION AGENTS

**Australia:** Gordon & Gotch (Australasia) Ltd, 380 Lonsdale Street, Melbourne 3000, Victoria

**Belgium:** Agence et Messageries de la Presse, 1 Rue de la Petite-ILE Brussels 7

**Canada:** Davis Circulation Agency Ltd, 131 Provenance Street, P.O. Box 4528, Nicosia

**Cyprus:** General Press Agency Ltd, 131 Provenance Street, P.O. Box 4528, Nicosia

**Denmark:** Dansk Bladdistribution, Hovedvagtsgade 8, Dk. 1103 Kobenhavn.

**Finland:** Rautakirja OY, Koivuvuorankuja 2, 01640 Vantaa 64, Finland.

**France:** Dawson-France S.A., B.P.40, F-91121, Palaiseau

**Germany:** W. E. Saarbeck GmbH, B. Kohn 1, Follenstrasse 2

**Greece:** Hellenic Distribution Agency, P.O. Box 315, 245 Syngrou Avenue, Nea Smyrni, Greece.

**Holland:** Van Dinter N.V., Oostelijke Handelskade 11, Amsterdam 1004

**India:** International Book House, Indian Mercantile Mansion Ext, Madama Cama Road, Bombay 1

**Iran:** A.D.A., 151 Khasban Soraya, Tehran

**Israel:** Stelmatsky's Agency Ltd, Citrus House, P.O. Box 628, Tel Aviv

**Italy:** Intercontinental s.a.s. Via Veracini 9, 20124 Milano

**Japan:** Western Publications Distribution Agency, 170 Nishi-Okubo 4-chome, Shinjuku-Ku, Tokyo 160

**Lebanon:** Levant Distributors Co., P.O. Box 1181, Makdesi Street, Halim Hanna Bldg, Beirut

**Malaysia:** Times Distributors Sdn. Bhd., Times House, 390 Kim Seng Road, Singapore 9, Malaysia.

**Malta:** W. H. Smith Continental Ltd, 18a Scots Street, Valletta

**New Zealand:** Gordon & Gotch (New Zealand) Ltd, 102 Adelaide Road, Wellington 2

**Nigeria:** Daily Times of Nigeria Ltd, 3 Kakawa Street, P.O. Box 139, Lagos

**Norway:** A/S Narvesens Kioskompani, Bertrand Narvesens vei 2, Oslo 6

**Portugal:** Livaria Bertrand s.a.r.l. Apartado 37, Amadora

**South Africa:** Central News Agency Ltd, P.O. Box 1033, Johannesburg

**Spain:** Comercial Athenium s.a. Consejo de Cliento, 130-136 Barcelona 15

**Sweden:** Wannegren Williams A. B. Fack 5-104, 25 Stockholm 30

**Switzerland:** Naville & Cie SA, Rue Levrier 5-7, CH-1211 Geneve 1  
Schmidt Agency AG, Savogelstrasse 34, 4002 Basle

**U.S.A.:** John Barrios, Business Press International, 205 East 42nd Street, New York, N.Y. 10017

Postage will be paid by Licensee

Do not affix Postage Stamps if posted in Gt Britain, Channel Islands, N Ireland or the Isle of Man

BUSINESS REPLY SERVICE  
Licence No 12045

**WIRELESS WORLD**  
Reader Enquiry Service  
Oakfield House  
Perrymount Road  
Haywards Heath  
Sussex RH16 3DH  
England

Enquiry Service for Professional Readers

WIRELESS WORLD Wireless World, May 1983 WW 8365

Please arrange for me to receive further details of the products listed, the appropriate reference numbers of which have been entered in the space provided.

Name .....

Name of Company .....

Address .....

Telephone Number .....

Position in Company .....

Nature of Company/Business .....

No. of employees at this establishment .....

I wish to subscribe to Wireless World

VALID FOR SIX MONTHS ONLY

## Wireless World: Subscription Order Form

To become a subscriber to Wireless World please complete the reverse side of this form and return it with your remittance to:

**Subscription Manager, Business Press International Ltd, Oakfield House, Perrymount Road, Haywards Heath, Sussex RH16 3DH, England**







# Test Instruments from Sifam

These instruments have all the features, accuracy and reliability you would expect from professional-quality equipment at less than you might expect them to cost.

## 3 1/2-DIGITAL MULTIMETERS

Both these instruments have the following features:

- Only two input terminals, common to all functions.
- Overload protection, autozero, autopolarity, over-range and low battery indications.
- Basic 0.3% DCV accuracy.
- Supplied with test leads, spare fuse, 9V battery and operator's manual.

## DMM2500

(bench model)

Push-button operation providing 24 ranges in 5 modes.  
 ±2A A.C./D.C.  
 ±1000V A.C./D.C.  
 200Ω to 20MΩ resistance  
 Re-settable overload circuit breaker  
 2000 hours operation from 9V battery  
 Size: 155x120x57mm



**£85.95** incl.VAT plus p&p at £1.00

## DMM2200B

(hand-held model)

2 Teflon-bushed rotary switches providing 21 ranges in 5 modes.  
 ±2A A.C./D.C.  
 ±1000V A.C./D.C.  
 2000Ω to 20MΩ resistance  
 1000 hours operation from 9V battery  
 Size: 165x110x43mm



**£49.95** incl.VAT plus p&p at £1.00

## DIGITAL LOGIC PROBE DLP50

- Wide frequency range: DC to 50 MHz
- Minimum detectable input pulse width of 10 nsec.
- High input impedance of 10 megohms
- Compatible with DTL, TTL and CMOS in a wide range of power supply voltages of 4.5 to 30V D.C.
- Protected up to ±120V D.C./A.C. in input signal plus audible warning function
- Rugged, modern plastic-housed unit supplied packaged in a de-luxe moulded plastic carrying case, with ground lead, IC-clip lead and operator's manual
- Size: 195x26x16mm with 800mm power lead

**£44.95** incl.VAT plus p&p at £1.00

All these instruments are guaranteed against defective parts/workmanship for 12 months. If not satisfied, please return within 14 days for full refund.

The telephone number for Access/Barclaycard orders, enquiries and literature is 0803 63822 Ext.8.

Post to: Sifam Ltd, Woodland Road, Torquay, Devon TQ2 7AY

Please send me \_\_\_\_\_ Total purchase price \_\_\_\_\_

Please debit my \_\_\_\_\_ I enclose Cheque

Access/Barclaycard No. \_\_\_\_\_ Postal Order

Name \_\_\_\_\_ Int. Money Order

Address \_\_\_\_\_

Signature \_\_\_\_\_

Please allow up to 28 days for delivery. Official orders accepted from colleges, schools, companies, etc.

WW - 074 FOR FURTHER DETAILS

## NEW! ICOM ICH2 SYNTHESIZED FM HANDPORTABLE



The ICH2 is the first of a new breed of synthesized hand-held radio transceivers. Being synthesized, it requires no crystals to be set on to frequency. All that is required is to lift a recessed panel on the top of the set and cut the correct diodes to program the set to one or two channels. Duplex or simplex is obtained in the same way. This really is a boon to the busy dealer and convenient for the customer who wants those extra few sets "yesterday".

The ICH2 is very versatile, coming complete with a rechargeable ni-cad pack, small mains charger, rubber helical antenna, earphone and strong spring belt clip. Optional extras include: A speaker/microphone, cigarette lighter plug 12V charging lead, 12V converter to operate direct from the car supply, leather and leatherette cases, various different types of slide on/off battery packs both rechargeable and dry and a desk charger that fast charges some of the battery packs in 1 to 1 1/2 hours. The battery packs slide on and off very easily, enabling a spare to be carried in your pocket and an exchange made in the field. Sizes are 6.5"H x 2.6"W x 1.4"D, weighing 1.1lb. Power output is 1-3 watts and covers a frequency range of 164.975-174.975MHz, duplex or simplex.

Retail price is 269 pounds each plus VAT. We are also looking for dealers for general distribution. More details from

**Thant Electronics** ICOM

143 Reculver Road, Herne Bay, Kent  
 Tel: 02273 63859. Telex 965179

WW - 048 FOR FURTHER DETAILS

## Constructor Series Speakers



IT'S SO EASY

Have fun, save money, building a Kef design with a Wilmslow Audio CS Total kit.

No electronic or woodworking knowledge necessary and the end result is a proven top-quality design that you'll be proud of.

Each kit contains all cabinet components, accurately machined for easy assembly, speaker drive units, crossovers, wadding, grille fabric, terminals, nuts, bolts, etc. The cabinets can be painted or stained or finished with iron-on veneer or self adhesive woodgrain vinyl. Easy foolproof assembly instructions supplied. Set of constructor leaflets sent free on receipt of large S.A.E.

Prices: CS1 (As 101)	£110	pr. inc. VAT, plus carr./ins. £ 5.50
CS1A (simplified LS3/5A)	£103	pr. inc. VAT, plus carr./ins. £ 5.50
CS3 (as 103.2)	£129	pr. inc. VAT, plus carr./ins. £10.00
CS5 (as Carlton II)	£192	pr. inc. VAT, plus carr./ins. £15.00
CS7 (as Cantata)	£250	pr. inc. VAT, plus carr./ins. £18.00



0625 529599

35/39 Church Street, Wilmslow, Cheshire SK9 1AS

Catalogue — £1.50 post free

Lightning service on telephoned credit card orders!

WW - 061 FOR FURTHER DETAILS

# COMPUTER WAREHOUSE

THE 'ALADDIN'S' CAVE OF COMPUTER AND ELECTRONIC EQUIPMENT

## HARD DISK DRIVES

Fully refurbished Diablo/DRE Series 30 2.5 mb hard disk drive for DEC RK05, NOVA, TEXAS etc.  
 Front load £550.00 - Top load £295.00  
 PSU type ME3029 for 2 drives £125.00  
 DRE 44A/4000A/B 10 mb 5+5 all configurations from £995.00. Call sales office for details.

## 5 AMP MAINS FILTERS

Cure those unnering hang ups and data glitches caused by mains interference. Matchbox size - Up to 5 amp 240 v load. As recommended by the ZX81 newsletter. Suppression Devices SD5A £5.95.

## COOLING FANS

Keep your hot parts COOL and RELIABLE with our range of BRAND NEW professional cooling fans.

ETRI 99XUOI Dim. 92 x 92 x 25 mm. Miniature 240 v equipment fan complete with finger guard. £9.95.

GOULD JB-3AR Dim. 3" x 3" x 2.5" compact very quiet running 240 v operation. NEW £8.95

BUHLER 69, 11, 22, 8-16 v DC micro miniature reversible fan. Uses a brushless servo motor for extremely high air flow, almost silent running and guaranteed 10,000 hr life. Measures only 62 x 62 x 22 mm. Current cost £32.00. OUR PRICE ONLY

£12.95 complete with data.

MUFIN-CENTIMAX standard 4" x 4" x 1.25" fan supplied tested EX EQUIPMENT 240 v at £6.25 or 110 v at £4.95 or BRAND NEW 240 v at £10.50. 1000's of other fans Ex Stock. Call for Details. Post & Packing on all fans £1.60

## DISTEL ©

The UK's FIRST free of charge, 24 hr. public access data base. Get information on 1000's of stock items and order via your computer and credit card. On line now, 300 baud. CCITT tones, full duplex, fully interactive.

**DON'T MISS THOSE BARGAINS CALL NOW, IT'S FREE!**  
 7 days per week 24 hrs. per day  
**01-683 1133**  
 8 BIT WORD - NO PARITY

## COMPUTER 'CAB'

All in one quality computer cabinet with integral switched mode PSU, Mains filtering, and twin fan cooling. Originally made for the famous DEC PDP8 computer system costing thousands of pounds. Made to run 24 hours per day the PSU is fully screened and will deliver a massive +5V DC at 17 amps, +15V DC at 1 amp and -15V DC at 5 amps. The complete unit is fully enclosed with removable top lid, filtering, trip switch, 'Power' and 'Run' LEDs mounted on All front panel, rear cable entries, etc. Units are in good but used condition - supplied for 240v operation complete with full circuit and tech. man. Give your system that professional finish for only £49.95 + Carr. Dim. 19" wide 16" deep 10.5" high. Useable area 16" w 10.5" h 11.5" d. Also available LESS PSU with internal dim. 19" w 16" d. 10.5" h. £19.95. Carriage & insurance £9.50.

## 8" FLOPPY DISK DRIVES



Unbelievable value the DRE 7100 8" floppy disk drives utilise the finest technology to give you 100% bus compatibility with most drives available today. The only difference being our PRICE and the superb manufacturing quality! The 7100 single sided and 7200 double sided drive accept hard or soft formatting IBM or ANSI standard formats giving a massive 0.8 MB (7100) 1.6 MB (7200) of storage. Absolutely SHUGART, BASF, SIEMENS etc. compatible. Supplied BRAND NEW with user manual and full 90 day warranty. Carriage and insurance £9.75.

7100 Single sided £225.00 + Carr. 7200 Double sided £295 + Carr. Optional accessories: Full technical manual £20.00 alone. £10.50 with drive. Refund of difference on drive purchase. DC and AC power connector and cable kit £8.45. 50 way IDC connector £5.50. 50 way ribbon cable £3.20 per metre.

## SUPER DEAL? NO - SUPER STEAL!!

The FABULOUS 25CPS TEC Starwriter Daisy wheel printer at a fraction of its original cost.

BRAND NEW AT ONLY £499 + VAT



Save over £400

Made to the very highest spec the TEC Starwriter FP1500-25 features a heavy duty die cast chassis and DIABLO type print mechanism giving superb registration and print quality. Micro-processor electronics offer full DIABLO/QUME command compatibility and full control via CPM Wordstar etc. Many other features include bidirectional printing, switchable 10 or 12 pitch, full width 381 mm paper handling with upto 163 characters per line, friction feed rollers for single sheet or continuous paper, internal buffer, standard RS232 serial interface with handshake. Supplied absolutely BRAND NEW with 90 day guarantee and FREE daisy wheel and dust cover. Order direct from contact sales office for more information. Optional extras: RS232 data cable £10.00. Tech manual £7.50. Tractor feed £120.00. Spare daisy wheel £3.00. Carriage & Ins. (UK Mainland) £10.00.

## TELETYPE ASR33 I/O TERMINALS

FROM £195 + CAR. + VAT

Fully fledged industry standard ASR33 data terminal. Many features including ASCII keyboard and printer for data I/O auto data detect circuitry. RS232 serial interface. 110 baud, 8 bit paper tape punch and reader for off line data preparation and ridiculously cheap and reliable data storage. Supplied in good condition and in working order. Options: Floor stand £12.50 + VAT. KSR33 with 20ma loop interface £125.00 + Sound proof enclosure £25.00 + VAT

## SOFTY 2

The amazing SOFTY 2. The complete "toolkit" for the open heart software surgeon. Copies, Displays, Emulates ROM, RAM and EPROMS of the 2516, 2532 variety. Many other features include keyboard, UHF monitor. Cassette interface etc. Functions exceed capabilities of units costing 7 times the price! Only £169.00 pp£1.95 Data sheet on request

## DATA MODEMS

Join the communications revolution with our range of EX TELECOM data modems. Made to most stringent spec and designed to operate for 24 hrs per day. Units are made to the CCITT tone spec. With RS232 I/O levels via a 25 way 'D' skt. Units are sold in a tested and working condition with data. Permission may be required for connection to PO lines.

MODEM 13A compact, async, same size as telephone base. Up to 300 baud, full duplex over 2 wires, but call mode only £75.00

MODEM 2B/C Fully fledged, up to 300 baud async. ANSWER & CALL modes, auto answer, auto switching, ideal networks etc. Just 2 wire connection to comm. line. £85.00

MODEM 20- Compact unit for use with PRESTEL or full duplex 2 wire link 75 baud transmit - 1200 baud receive. Auto answer. £130.00

MODEM 20-2 same as 20-1 but 75 baud receive 1200 baud transmit. £130.00

MODEM 20-3 Made for data rates up to 1200 baud in full duplex mode over 4 wire circuit or half duplex mode over 2 wires. £130.00 Carriage. 13A £4.50, 2B/C & 20 £9.50

DATA PUMP MODEM compact unit upto 1200 baud full duplex over 4 wires or half duplex over 2 wires. BELL specification with data I/O via RS232 25 way D socket, remote test etc. 240 v operation. Supplied complete with data £65.00 carr. £4.50

For more information or details of other types of ex. stock modems contact sales office.

## D.C. POWER SUPPLY SPECIALS

Experimentors PSU Ex-GPO unit all silicon electronics. Outputs give +5v @ 2amps, +12v @ 800 ma, -12v @ 800 ma, +24v @ 350 ma, 5v @ 50 ma. Rating. Dim 160 x 120 x 350 mm. All outputs fully regulated and short circuit proof. Removed from working equipment, but untested. Complete with circuit. Transformer guaranteed. Only £14.50 + £2.50 pp.

CUSTOM POWER CO55 5v @ 3 amp. Very compact unit dim. approx 60 x 90 x 190 mm. Semi open chassis, full crowbar overvoltage protection. Tested Ex Equipment. £11.95 + pp £1.25

FARNELL 5 Volt 40 amps. Type number G6-40A this miniature switching psu measures only 160 mm wide, 175 mm deep and 90 mm high! Fully regulated and smoothed with over voltage protection etc. 120 or 240 volts AC input. Supplied BRAND NEW and boxed with circuit and fixing screws at a fraction of the current list price. Only £130.00 + £3.00 carr. & ins.

PERIPHERAL SYSTEM SUPPLY. Fully cased unit supplied in a Brand new or little used condition. Outputs give 5v @ 11 amps, "+ 15-17v @ 8 amps -" 15-17v @ 8 amps and "+ 24v @ 4 amps. All outputs are crowbar protected and the 5 volt output is fully regulated. Fan cooled. Supplied tested, with circuit £55.00 + £8.50 carr.

MAIN FRAME SUPPLY. A real beefy unit designed for MINI or MAINFRAME use outputs give 5 volts @ 50 amps, +12v @ 5 amps, -12v @ 10 amps. All output are fully regulated with crowbar overvoltage protection on the 5v output. Supplied with circuit and tested. Ex-Equip. 110v AC input. Only £49.95 + carr. £10.50.

## 66% DISCOUNT ELECTRONIC COMPONENTS & EQUIPMENT

Due to our massive bulk purchasing programme which enables us to bring you the best possible bargains, we have thousands of I.C.'s, Transistors, Relay Caps, P.C.B.'s, Sub-assemblies, Switches, etc. etc. surplus to our requirements. Because we don't have sufficient stocks of any one item to include in our ads, we are packing all these items into the "BARGAIN PARCEL OF A LIFETIME". Thousands of components at giveaway prices! Guaranteed to be worth at least 3 times what you pay plus we always include something from our ads. for unbeatable value! Sold by weight.

2.5kls £4.25 + pp £1.25  
 10kls £10.25 + pp £2.25  
 5kls £5.90 + pp £1.80  
 20kls £17.50 + pp £4.75

ALL PRICES PLUS VAT

All prices quoted are for U.K. Mainland, paid cash with order in Pounds Sterling PLUS VAT. Minimum order value £2.00. Minimum Credit Card order £10.00. Minimum BONA FIDE account orders from Government depts., Schools, Universities and established companies £20.00. Where post and packing not indicated please ADD 60p + VAT. Warehouse open Mon-Fri 9.30 - 5.30. Sat. 10.15 - 5.30. We reserve the right to change prices and specifications without notice. Trade, Bulk and Export enquiries welcome.

DISPLAY ELECTRONICS

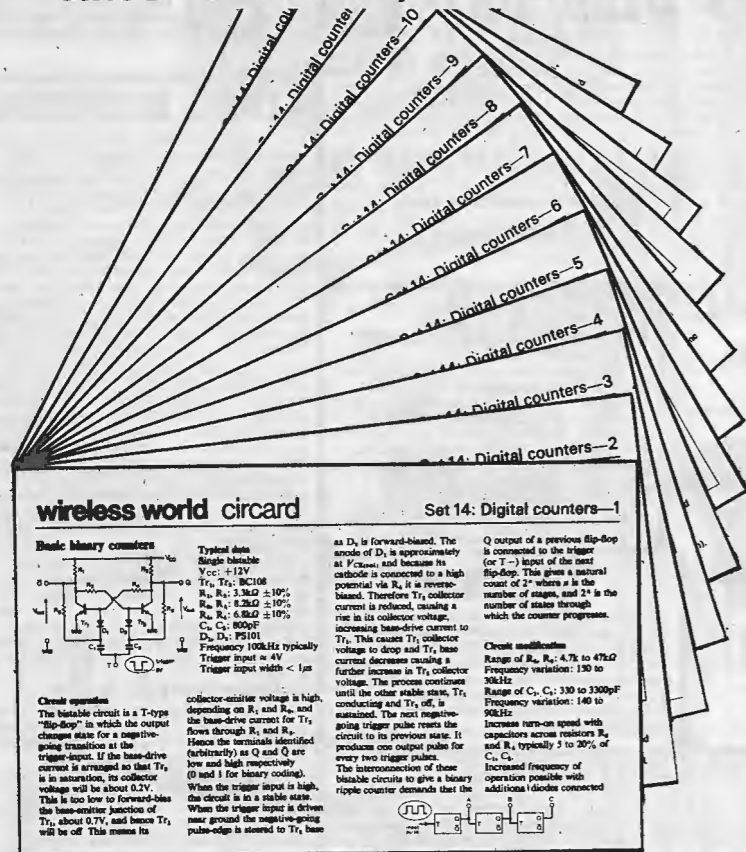
64-66 Melfort Road, Thornton Heath, Near Croydon, Surrey  
 01-689 7702 - 01-689 6800 Telex 27924

WW - 073 FOR FURTHER DETAILS



# MARK 1983 WITH GAPS IN CIRCUIT FILES WELL-PLUGGED

**WIRELESS WORLD CIRCARDS** last year benefited many 'new generation' readers who bought at 1976 bargain prices + 10% discount for 10 sets! Most sets are still available although companion volumes **CIRCUIT DESIGNS 1, 2 and 3** are out of print (CIRCARDS sets 1 to 30).



**The Offer stands, so order now your sets of 127 x 204mm cards in plastic wallets. These unique circuit cards normally contain descriptions and performance data of 10 tested circuits, together with ideas for modifying them to suit special needs.**

- 1 Basic Active filters 2 Switching Circuits, comparators and Schmitts (But these gaps cannot be filled) \*  
 6 Constant current circuits 7 Power amplifiers 8 Astable circuits 9 Optoelectronics 10 Micro power circuits 11 Basic logic gates  
 12 Wideband amplifiers 13 Alarm circuits 14 Digital Counters 15 Pulse modulators 16 Current differencing amplifiers - signal processing  
 17 Current differencing amplifiers - signal generation 18 Current differencing amplifiers - measurement and detection  
 19 Monostable circuits 20 Transistor pairs 21 Voltage-to-frequency converters 22 Amplitude modulation and detection  
 23 Reference circuits 24 Voltage regulators 25 RC oscillators -1 26 RC oscillators -2 27 Linear cmos -1 28 Linear cmos -2 29 Analogue multipliers 30 Rms/log/power laws 31 Digital multipliers  
 32 Transistor arrays 33 Differential and bridge amplifiers 34 Analogue gate applications -1 35 Analogue gate applications -2.
- \*Photocopies only: 3 Waveform generators 4A.C. measurement 5 Audio circuits @ £3.20 each set.

To Electrical-Electronic Press  
 General Sales Department  
 Room 108  
 Quadrant House  
 Sutton  
 Surrey SM2 5AS

Company Registered Number: 151537 (ENGLAND).  
 Registered Office: Quadrant House, The Quadrant  
 Sutton, Surrey SM2 5AS

Please send me the following sets of  
 Circards.....£2 each,  
 £18 for 10 post free.  
 Remittance enclosed ..... payable  
 to BUSINESS PRESS INTERNATIONAL LIMITED  
 Name (Please print).....  
 Address (Please print).....

## OPUS SUPPLIES SPECIAL OFFERS DISC DRIVE DISCOUNTS

SCOOP PURCHASE

- ★ FD 514-8in. S/S D/D DRIVE FORMATTED 600KBYTE £149
- ★ FD 650-8in. D/S D/D DRIVE FORMATTED 1.2 MBYTE £199
- ★ CASE TO HOLD TWO DRIVES WITH COSSOR POWER SUPPLY FAN AND CARRYING HANDLES-BRAND NEW-ONLY £99.95

A Special Purchase allows us to offer a limited quantity of these items at this remarkable price. The drives are manufactured by Pertec - are Shugart compatible and have a 90-day warranty.

**5 1/4in. DISC DRIVES**

**CANNON S/S D/D 40-TRACK**  
 Formatted 175kByte - ONLY £129.95  
**TEAC 55F D/S 80-TRACK - Formatted**  
 Single density 400k - double density 800k  
**ONLY £229**

- ★ Ideal for use with BBC and other leading micros
- ★ Full warranty
- ★ Slimline latest technology
- ★ See us at Midland Computer Fair 28-30 April - Stand 508 ★ Bingley Hall, Birmingham

**★ A DAISYWHEEL PRINTER ONLY £499 ★**

The TEC Starwriter FP1500-25  
 Serial Printer - Diablo type  
 Print Mechanism - 25 C.P. Second

**NEW THE MAGIC BOARD STOP PRESS**

Add-on memory for your BBC MICRO  
 Simply plug into a spare Eprom socket - fits inside your micro. Gives up to 16k of additional ram - 64k of Eprom. Takes the following 2716/2732/2764/6116/5516. Supplied with full software instructions. **ONLY £29.95**

To order add carriage at the following rates: Monitor £10, Drives and Case £7, Board free; and V.A.T. at 15% to total; send your order to: OPUS SUPPLIES, 10 BECKENHAM GROVE, SHORTLANDS, KENT  
**TELEPHONE: 01-464 5040 or 01-464 1598**

**pantechnic THE POWERFET SPECIALISTS**

**POWERFET AMPLIFIER MODULES**

MODEL	POWER RANGE (Continuous RMS)	TYPICAL LOADS	PRICES (one off)
PFA 100	50W-150W	4Ω, 8Ω	£17.35
PFA 200	100W-300W	4Ω, 8Ω	£23.87
PFA 500	250W-600W	2Ω, 4Ω, 8Ω	£42.00
PFA HV	200W-300W	4Ω, 8Ω, 16Ω	£34.30

**Key features:**

- RELIABLE - Powerfet freedom from thermal runaway and secondary breakdown
- LINEAR - TID zero, IM/THD < 0.01% full power (mid-band THD down to 0.0015%)
- FAST - Slew rate > 30V/μS (45V/μS typical)
- QUIET - Signal to noise ratio 120dB
- BRIDGEABLE - Without extra circuitry
- STABLE - Unconditionally
- LOW COST - 10 watts to 20 watts per £, depending on model and quantity

As they stand these modules suit most P.A. and industrial applications and satisfy all foreseeable audiophile requirements. (The HV is aimed at digital audio.) Where aspects of performance fail to meet specific requirements (e.g. in speed or power) low-cost customising is often a possibility. Alternatively entirely new boards can be produced.

ALSO -  
 PAN 20 - Ultra-low-noise/distortion, mono preamp board, £6.76  
 PAX 2/24 - 2-way active crossover board (24dB/octave) plus regulators, £9.70  
 THE HEAT EXCHANGER - New, super-efficient heatsink; handles 300W or 1.2kW when blown; 7in. x 4in. x 2 1/4in., £7.50

*This is just a fraction of the new products available from Pantechnic - check us out!*

Prices exclude V.A.T. Carriage 75p

Price and Delivery  
**PANTECHNIC (Dept. WW5)**  
 17A WOOLTON STREET  
 LIVERPOOL L25 5NH  
 Tel: 051-428 8485

Technical Enquiries contact  
 Phil Rimmer  
 on  
 01-800 6667

WW - 068 FOR FURTHER DETAILS

**MANUFACTURERS & DISTRIBUTORS**

**MATSUSHITA.** High quality 6 volt d.c. cassette drive motors. Size 30mm dia. x 20mm. high. Driveshaft 7mm long x 2mm dia. approx. No load current 40 m/a. £13.50 for 50 + VAT, £24 for 100 + VAT, £108 for 500 + VAT, £190 for 1,000 + VAT. Sample 10 for £3 + £1 p&p (£4.60 inc. VAT).

**STEREO CASSETTE FRONT LOADING REPLAY MECHANISM** for in-car entertainment, complete with motor and preamplifier. Manufactured in U.K. under licence of Staar, S.A. £45 for 10 + VAT, £205 for 50 + VAT, £375 for 100 + VAT. Sample for £5 + £1.50 p&p (£7.48 inc. VAT).

**MATCHED PAIR DYNAMIC/STEREO MICROPHONES AND STANDS.** Wired into one 3-pin 180° Din plug, approx. 2m separation, 200ohms. £20 for 10 + VAT, £90 for 50 + VAT, £162 for 100 + VAT, £730 for 500 + VAT, £1,400 for 1,000 + VAT. Sample sent for £2.50 + 50p p&p (£3.45 inc. VAT).

**MONO DYNAMIC MICROPHONE & STAND.** 3.5mm J plug fitted to approx. 1m lead. £7 for 10 + VAT, £32 for 50 + VAT, £60 for 100 + VAT, £270 for 500 + VAT, £500 for 1,000 + VAT. Sample sent for £1 + 50p p&p (£1.38 inc. VAT).

**CAR STEREO SHELF-MOUNTING SPEAKERS.** Moulded black plastic cabinet for vertical or horizontal mounting. Imp. 8ohms power handling, 5 watts (nom.) 8 watts (max.). Dims. 152mm x 222mm x 85. £25 for 10 pr + VAT, £115 for 50 pr + VAT, £210 for 100 pr + VAT, £390 for 200 pr + VAT, £900 for 500 pr + VAT. Sample pair sent for £3 + 75p p&p (£4.32 inc. VAT).

**MINIATURE ROUND SPEAKER.** 2 1/4" 8 ohms 1/4 watt, £35 for 100 + VAT, £165 for 500 + VAT, £315 for 1,000 + VAT, £600 for 2,000 + VAT. Sample 10 sent for £4 + £1 p&p (£5.75 inc. VAT).

**CHERRY SUB-MINIATURE MICRO SWITCHES.** 3 contacts, i.e. common no-nc. Rated at 5 amps on 125-250V a.c. Contacts gold plated for long life. £15 for 100 + VAT, £87.50 for 500 + VAT, £125 for 1,000 + VAT, £550 for 5,000 + VAT. Sample 10 for £2 + 50p p&p (£2.88 inc. VAT).

**150 WATT HINCHLEY TRANSFORMERS.** 220/240V a.c. input, 30-0-30V output + 14V. Tap size 96mm x 80mm, weight approx. 2.7 kgs. £75 for 10 + VAT, £350 for 50 + VAT, £620 for 100 + VAT, £2,800 for 500 + VAT. Sample sent for £9 + £2 p&p (£12.65 inc. VAT).

**6V.A. MINIATURE TRANSFORMER.** 240V a.c. input, 12-0-12V output. P.C. mounting + internal thermal overload protection. £2.50 for 10 + VAT, £115 for 50 + VAT, £210 for 100 + VAT, £950 for 500 + VAT. Sample sent for £3 + 75p p&p (£4.31 inc. VAT).

Terms c.w.o. Please add 5% to all orders for carriage plus 15% V.A.T. Export enquiries welcome. We find it impossible to advertise all we stock. Please telephone or write for further enquiries. Personal callers always welcome.

**ELECTRONIC EQUIPMENT Co.** **SPRINGFIELD HOUSE TYSSON STREET, LONDON E8**  
 TEL: 01-249 5217  
 TELEX: 8953906 EECO.G

WW - 066 FOR FURTHER DETAILS



# Appointments

Advertisements accepted up to 12 noon Tuesday, May 3rd, for June issue, subject to space available.

DISPLAYED APPOINTMENTS VACANT: £15.50 per single col. centimetre (min. 3cm).  
 LINE advertisements (run on): £3 per line, minimum £20 (prepayable).  
 BOX NUMBERS: £3 extra. (Replies should be addressed to the Box Number in the advertisement, c/o Quadrant House, The Quadrant, Sutton, Surrey SM2 5AS).  
 PHONE: IAN FAUX, 01-661 3033 (DIRECT LINE)

Cheques and Postal Orders payable to BUSINESS PRESS INTERNATIONAL LTD. and crossed.



## ALWAYS AHEAD WITH THE BEST!

£5,000-£18,000

- ★ Experienced in: Mini/Microprocessor Hardware or Software; Digital and Analogue circuitry; RF and Microwave techniques?
- ★ Where does your interest lie: Image Processing; Automation; Datacomms; Radar; Nav-Aids; Video; Medical: Telemetry; Simulation; Satcom; Local Area Nets; Computers; Weapons; Communications?
- ★ There are opportunities in: Design; Test; Service; Sales; Systems; Production; Quality and Research for Engineers and Managers.
- ★ First call: MIKE GERNAT or JOHN SANDERS on 076 384 676/7.

ELECTRONIC COMPUTER AND MANAGEMENT APPOINTMENTS LIMITED  
 148-150 High St., Barkway, Royston, Herts SG8 8EG.

(1926)

## Junior Radio Officers

The Royal Fleet Auxiliary has a number of vacancies for Junior Radio Officers. These appointments are for short term engagements of 6 months duration, (with the possibility of extension) and offer recently qualified personnel the opportunity to gain the required seetime.  
 Minimum qualifications: MRGC and DTI Radar Maintenance Certificate.  
 Apply, in the first instance, by telephone to:— Dave Poynter, RFA Personnel Office, (Radio), on 01-385 1244 ext. 3041.

ROYAL FLEET AUXILIARY **RFA**

(2071)



## SENIOR ENGINEER ENG/OB Maintenance

Salary in the range £14,000-£17,800

Independent Television News Limited has a vacancy for a Senior Engineer in their ENG/OB Maintenance Section at ITN House, London W1.

The successful candidate would join the specialist team responsible primarily for the maintenance of ENG equipment including Sony BVU series U-matics, Sony BVP330 cameras, TBCs and associated portable equipment. The section is also responsible for the long-term maintenance of our two camera OB unit.

The work may occasionally involve travel with ENG teams to remote locations.

Previous maintenance experience with U-matic equipment and/or lightweight cameras is essential.

Generous pension scheme, free life assurance.

Please telephone the Personnel Office on 01-637 3144 quoting reference number 303005.

(2074)

# ELECTRONICS PROFESSIONALS

## The 1980s herald a new era in personal communications development.

With a respected pedigree of world leadership in advanced communications, STC are breaking new ground in the exciting and fast expanding field of personal communications. Achievements in this high technology area have already earned recognition with the 1982 Design Council Award for the STC Radiopager — one of the smallest and most highly attractive pagers on the market. We are determined to build on this success by taking our micro engineering expertise through into a new era of personal communications.

To continue innovation in this challenging field, we intend to strengthen our successful team by appointing a select number of talented professionals.

Our salary package is first-class and is further enhanced by a full range of valuable benefits including life, health and pension schemes, and, where appropriate, generous assistance with relocation to our location on the fringe of London's northern green belt. Future career prospects are excellent with progression being on a 'dual ladder' basis, where both technical and management abilities achieve equal recognition.

So join the STC team and help lead our drive into a new era of personal communications technology. For more information, please write or better still telephone: **Vaughan Hartridge,**

**Standard Telephones and Cables plc,**  
 Oakleigh Road South, New Southgate  
 N11 1HB. Tel: 01-368 1234, ext. 2215.

## We're determined to turn state-of-the-art theory into world-class quality products. Join our team now!

### Section Head

a demanding role for a mature and very determined professional to lead a design team creating our next generation of successful products. You'll need to be a senior electronic engineering professional who has progressed through to management via technical achievement.

### Senior Software Engineer

to be closely involved in all aspects of new product

development from planning through to realisation of software. A minimum of 5 years' experience with microprocessors and software engineering is essential.

### Senior Digital Engineer

who must be capable of taking a lead responsibility for the hardware design of the digital section of our product range. A broad experience of digital circuit design including microprocessors is essential.

**STC Telecommunications**

(2085)





## CUT THIS OUT!

Clip this advert and you can stop hunting for your next appointment. We have a wide selection of the best appointments in Digital, Analogue, RF, Microwave, Micro-processor, Computer, Data Comms and Medical Electronics and we're here to serve your interests. Call us now for posts in Design, Sales, Applications or Field Service, at all levels from £6,000-£16,000.



11 Westbourne Grove, London W2. Tel: 01-229 9239.

1935



## TRAINEE BROADCAST ENGINEERS

Vacancies exist at ITN for Engineering Trainees which could provide the opportunity to start a career in Broadcast Television Engineering with ITV.

Firstly, a firm interest in pursuing a career in the technical branch of broadcasting is necessary.

Then you should have completed or expect this year to complete, theoretical training in Electronic Engineering with a bias towards Television or Audio applications. Qualifications most suitable are T.E.C. Higher Technical Diploma, T.E.C. Higher Technical Certificate or the HND/HNC equivalent.

Initially, you would be involved in a familiarisation period by a rotational attachment to our four maintenance areas and the Projects Department. This lasts for up to 15 months.

After successful training you would be employed on the maintenance or operation of a wide range of broadcast equipment in our Central London Studios near Oxford Circus, from which the ITN national news programmes are networked.

Successful applicants will join ITN in early September, 1983. Starting salaries would lie within the range of £5,642 (at 18) rising to £7,109 at age 20.

If you have the qualifications and the drive to work with us in a busy lively environment, then call us on 01-637 3144 or write to:

The Personnel Manager  
Independent Television News Limited  
ITN House  
48 Wells Street  
London  
W1P 4DE

for an application form quoting reference number 0476007.

(2054)

## BROADCAST ENGINEER

Required by the Broadcast Division of The Services Sound and Vision Corporation, who provide broadcast television and radio services to H.M. Forces and their dependants abroad.

Candidates (preferably aged 22-35) should be educated to HND/HNC standard in electrical or electronic engineering and have work experience in the broadcasting industry.

Their work (mostly overseas) includes the installation, operation, repair and maintenance of the full range of professional radio studio equipment and MW and VHF broadcast transmitters.

A tax free salary in the range of £7,914 to £9,994 is paid overseas, plus generous tax-free overseas allowances and other fringe benefits. There are promotion prospects to higher grades, and opportunities for training and transfer to the Television Division.

Please apply in writing to:

Personnel Manager,  
The Services Sound and Vision Corporation  
Chalfont Grove, Gerrards Cross  
Bucks SL9 8TN

(2052)

## ADVANCED TELECOMMUNICATIONS:

careers with extensive scope at Cheltenham

Join the Government Communications Headquarters, one of the world's foremost centres for R & D and production in voice/data communications ranging from HF to satellite - and their security. Some of GCHQ's facilities are unique and there is substantial emphasis on creative solutions for solving complex communications problems using state-of-the-art techniques including computer/microprocessor applications. Current opportunities are for:

### Telecommunication Technical Officers

Two levels of entry providing two salary scales: £5980-£8180 and £8065-£9085

Minimum qualifications are TEC/SCOTEC in Electronics/Telecommunications or a similar discipline or C & G Part II Telecommunications Technicians Certificate or Part I plus Maths B, Telecommunications Principles B and either Radio Line Transmission B or Computers B or equivalent: ONC in Electrical, Electronics or Telecommunications Engineering or a CIE Part I Pass, or formal approved Service technical training. Additionally, at least four years' (lower level) or seven years' (higher level) appropriate experience is essential in either radio communications or radar, data, computer or similar electronic systems. At the lower entry level first line technical/supervisory control of technicians involves "hands-on" participation and may involve individual work of a highly technical nature. The higher level involves application of technical knowledge and experience to work planning including implementation of medium to large scale projects.

### Radio Technicians

£5232-£7450

To provide all aspects of technical support. Promotion prospects are good and linked with active encouragement to acquire further skills and experience. Minimum qualifications are a TEC Certificate in Telecommunications or equivalent plus two or more years' practical experience. Cheltenham, a handsome Regency town, is finely-endowed with cultural, sports and other facilities which are equally available in nearby Gloucester. Close to some of Britain's most magnificent countryside, the area also offers reasonably-priced housing. Relocation assistance may be available.

For further information and your application form, please write to

Recruitment Office  
GCHQ Oakley, Priors Road  
Cheltenham, Gloucestershire GL52 5AJ  
or phone 0242 21491, Ext. 2269.

(1998)



## CAPITAL APPOINTMENTS LTD

THE UK'S No. 1 ELECTRONICS AGENCY

If you have HNC/TEC or higher qualifications and are looking for a job in design, test, customer service, technical sales or similar fields:

Telephone now for our free jobs list  
We have vacancies in all areas of the UK  
Salaries to £15,000 pa

01-637 5551 or 01-636 9659  
(24 hours)

Or if you prefer send a FULL CV to:

CAPITAL APPOINTMENTS LTD  
29-30 WINDMILL STREET, LONDON W1P 1HG

(281)

# RF Engineers & Senior Engineers

Our Client is an internationally successful Company that you'll both know and respect. A world-renowned force in advanced communications products, they have a track record of technological innovation and commercial success that is second to none.

The Company's achievements in the fast expanding personal communications market are considerable - and their product range continues to receive wide acclaim - both in the market and also within the industry. Now to maintain this momentum of success, they intend to lead the way in developing the next generation of advanced, high technology personal communications products.

They therefore wish to strengthen their highly talented, integrated design and development teams by appointing several key Engineers - at Senior and Middleweight levels.

The need is for experienced professionals to become immediately involved in projects which will fully exploit the latest state-of-the-art technology in the ever-advancing field of circuit integration. You will initiate designs for large sections of a major project workload - and when you are ready for more responsibility, there are opportunities in both

project and man-management.

To be considered, you must have an HND/Degree in electronics together with between 2-7 years' experience in analogue circuit VHF/UHF design and application. A background in mobile, military or airborne radio would be an advantage - but most importantly, you must demonstrate the ability to liaise with related engineering disciplines, manufacturing and marketing.

We recognise that we are looking for a "rare breed" of Engineer - and the remuneration package will reflect the importance of your role. Initial salaries will be highly attractive and individually negotiable, further enhanced by a full range of benefits. As far as the future is concerned, there are opportunities for very positive career progression within this successful and dynamic organisation.

Find out the full story about the Company of the future in RF technology. Please telephone Kevin Long on 01-636 5538 in complete confidence or write with a c.v. to him at: Moxon Dolphin & Kerby Ltd., 178-202 Great Portland Street, London W1N 5TB, quoting ref: KL/980/W.

## In the race to develop the next generation of personal communications products...

MOXON  
DOLPHIN  
& KERBY LTD

## ...Join the Company that will win!

(2084)

Royal Marsden Hospital,  
Fullham Road, London SW3

## Medical Physics Technician

MPT2

required in the Physics and Radiotherapy Departments. The appointed person will be responsible for the supervision of a pleasantly situated, well-equipped electronics workshop and the maintenance and service of an interesting variety of radiotherapy equipment.

The Department has 3 cobalt treatment machines, 150kv and 300kv X-ray units, a Philips 10mv linear accelerator and a simulator. Current developments include the installation of a Philips 5mv linear accelerator and caesium Selectron unit.

Applicants should hold ONC, HNC or similar qualification in electrical engineering or (preferably) in electronics, and have relevant technical experience particularly with Philips linear accelerators. To be appointed on to the MPT2 scale applicants should have served at least 2 years as MPT3 or equivalent. Salary scale from 1st April 1983 £8,383-£10,209 per annum.

Application form and job description available from the Personnel Department, Royal Marsden Hospital, at the above address. Tel: 01-352 8171 Ext. 446/447.

(2053)

## VIDEO ENGINEERS

Rediffusion Consumer Manufacturing Ltd is seeking intermediate and senior video engineers with OND, HND or similar qualifications, together with a knowledge of analogue and digital circuits, to join a small team working on a wide variety of projects associated with video cassette recorders, video cameras, disc players, colour TV receivers and monitors.

In addition to analysis of performance and long term reliability factors, assessment reporting is an important part of the team's function and the ability to express oneself verbally and in writing is essential.

Our laboratories are situated at Chessington within easy commuting distance of the Surrey countryside.

Attractive salaries and the usual big company benefits are offered to suitably qualified and experienced engineers. If you believe you can make an effective contribution to our future video projects please write to or phone:

Mr Harry Brearley  
Rediffusion Consumer Manufacturing Ltd.  
Fullers Way South  
Chessington, Surrey KT9 1HJ  
Telephone: 01-397 5411

REDIFFUSION

(2070)



## Civil Aviation College (Gulf States) Doha, Qatar

requires for September 1983:

### INSTRUCTOR AVIATION ELECTRONICS

University Degree and Professional qualifications in Aviation Electronics, qualified and experienced in installation and maintenance of Modern Radio Systems  
Must have minimum ten years' experience with three years' instructional experience at an ICAO recognised Training Centre.

Salary and Allowances up to US\$3400 per month

Applications to:

**The Principal  
Civil Aviation College (Gulf States)  
P.O. Box 4050  
Doha  
State of Qatar**



(2088)

#### UNIVERSITY OF ABERDEEN

Department of Bio-Medical  
Physics and Bio-Engineering

### ELECTRONIC OFFICER

required for well-equipped Electronics Section (staff 15) of internationally known Department to be associated with design, servicing and maintenance of modern medical electronic equipment in hospitals and laboratories. The Officer will be expected to guide technicians and help actively research in bio-medical applications of electronics. Additional experience desired in one or more relevant areas of instrumentation — eg vacuum, lasers, high voltage, high frequency.

Salary within the Grade 1A scale for Other Related Staff (£3,375-£11,105 per annum) with appropriate placing.

Further particulars and application forms from The Secretary, The University, Aberdeen, with whom applications (two copies) should be lodged by 10 May, 1983.

(2072)

### Manor Studios

Require a full-time

### MAINTENANCE ENGINEER

Based in Oxfordshire, duties will include work at the Manor Studio and on location with the mobile. For details please ring:

**PAUL WARD — 08675 77551**  
(2067)

## THIS IS ENGINEERING PAR EXCELLENCE

An opinion of our client company shared by the highest in the land — yes, a Queen's Award winner 1982

### DESIGN ENGINEERS

are required to augment this exceptionally talented team who have achieved the following:

Launched a video graphic product for broadcast TV in 1978 which still has no rival in the British or European television industry. Not surprising — modern bit slice technology designed for maximum reliability, rugged environment and artistic appearance.

Designed a second generation product which has burgeoned into a whole family of new products including devices for graphic animation. Teletext peripherals, encoding and data logging products for future TV applications.

Have the next generation of products in the pipeline — confidential of course — however, one look around the laboratory and you can bet they will be one of the first into 32 bit micros and mega-byte rams.

Created an extremely pleasant working environment and attractive financial package for their staff. Salary is above average, also BUPA, life assurance and subsidised canteen.

Graduates with relevant experience, don't sit around, ring or send your C.V. to their chosen agents.

## Charles Airey Associates

Tempo House, 15 Falcon Road, Battersea, London SW11 2PJ  
Telephone: 01-223 7682 or 228 6294 (2061)

## BORED ?

Then change your job!

**1) Test Equipment Controller**  
Plan and procure test equipment and control a team of test equipment engineers. To £12,670 — Hants.

**2) Maintenance Engineer**  
Start an in-house test of communications equipment — then move to field service when fully conversant. To £8,000 + car — London.

**3) Service Engineer**  
Analogue and digital detection and alarm systems. Middx-Essex — to £8,000.

**4) Test Engineer**  
In-house work on modems and data communications systems. To £7,500 — Bucks.

**5) Service Personnel (RAF, RN, Army)**

We have many clients interested in employing ex-service fitters and technicians at sites throughout the UK. Phone for details.

**6) £500 per week**

We are paying very high rates for contract design and test engineers who have a background in RF, MICROWAVE, DIGITAL, ANALOGUE or SOFTWARE, at sites throughout the UK.

Hundreds of other Electronic and Computer Vacancies to £12,500

Phone or write:  
Roger Howard, C.Eng., M.I.E.E., M.I.E.R.E.

**CLIVEDEN CONSULTANTS**  
87 St. Leonard's Road, Windsor, Berks.  
Windsor (07535) 58022 (5 lines) (1646)

## CLIVEDEN

#### UNIVERSITY OF YORK

Department of Electronics

Applications are invited for the post of

### Senior Technician

(GRADE 5)

in the central workshop of the new Department of Electronics. The workshop staff are responsible for the maintenance of electronic instruments and for the development and construction of electronic equipment for teaching and research purposes.

Applicants are expected to have an appropriate qualification and considerable experience of electronic engineering, preferably including computers. The salary scale is currently £6,009-£7,016 p.a.

Applications giving full details of age, education and experience, together with the names and addresses of two referees, should be sent to Mr D. Rymer, Assistant Bursar, University of York, York YO1 5DD by Tuesday, May 3, 1983. (2075)

#### INNER LONDON EDUCATION AUTHORITY

Learning Resources Branch

Television Centre

Thackeray Road

Battersea SW8 3TB

### ENGINEER — ELECTRONIC MAINTENANCE

Salary range: (ST2) £7,035 to £7,974 plus £1,284 London Weighting Allowance.

The ILEA's Television Centre produces a wide range of educational programmes on video and audio cassettes.

The Maintenance section numbers four persons and a vacancy has arisen for an engineer with a sound knowledge of the principles of colour television, and preferably a working experience of maintaining broadcast type TV equipment. Applicants must wish to specialise on the video side (cameras, vision mixers, telecine, etc.), and will receive appropriate training.

An engineering degree, TEC or other equivalent qualifications are desirable.

Application forms from the Education Officer (EO/Estab. 1B), Room 365, The County Hall, London SE1 7PB. Please enclose a stamped and addressed foolscap envelope. Completed forms to be returned by May 4, 1983.

ILEA is an equal opportunities employer. (2066)

## RADIO ENGINEER

To work as a technical adviser with a Latin American organisation for education by radio, with 40 affiliated radio stations in 17 countries.

The engineer will initially be based in Quito, Ecuador and will later travel to radio stations in other countries. The job consists of planning and running training courses for local technicians in maintenance of mainly small, short and medium wave transmitters, aerials and studios.

Applicants should have radio engineering experience, gained in a broadcasting environment: the post will demand skills in training people with non-technical backgrounds and in planning and improvising equipment. Spanish speakers especially welcome, but language training can be provided.

The post is initially for three years on a basic salary. Because of extensive travel, it is unlikely to suit applicants with families. CIIR will provide orientation and language training, insurance, air-fares and various allowances.

For a job description and application form, please send a brief cv to CIIR Overseas Programme, 22 Coleman Fields, London N1 7AF, quoting ref WW/1. (2087)

## Botswana

### Assistant Force Communications Officer

Up to £16,470 p.a. substantially tax-free

A challenging post with the Police in a democratic, multi-racial developing country in southern Africa.

Candidates, preferably aged between 30 and 45, must possess City and Guilds Part II or equivalent and have at least five years' experience in police or armed forces communications with HF, SSB and VHF (FM) communications equipment.

Duties include the maintenance, installation and fitting of communications equipment and the training of junior technicians for C & G examinations.

Benefits include free passages, generous paid leave, children's holiday visit passages and education allowances. Basic salary attracts 25% tax-free gratuity on completion of three year contract.

For further details and application form ring Linda Mitchell on 01-222 7730 extension 3714 or write quoting YX/1013/WW.

## Crown Agents

The Crown Agents for Oversea Governments  
& Administrations, Recruitment Division,  
4 Millbank, London SW1P 3JD (2081)



## TRAINEE ASSISTANT PICTURE EDITORS Television News

Assistant Picture Editors will work with film and ENG on all programmes produced by Television News. Trainee Assistant Picture Editors will be given a comprehensive training to enable them to progress to Assistant Picture Editors and eventually to compete for posts as Picture Editors. Most duties involve shift working, including nights.

Candidates with an Arts or Engineering based background and at least 'O' level standard in Maths, English and a Science subject, preferably Physics, will be considered and they will be required to demonstrate an ability and potential to undertake the necessary technical training. Higher qualifications in either Arts or Science subjects would be an advantage. Candidates should be able to work under pressure, react quickly to changing circumstances and have normal hearing and colour vision, with an informed and lively interest in News and Current Affairs.

Initial salary will be £6734 which includes a continuing shift allowance. (General salary review due in April). Based West London. Relocation expenses considered.

Contact us immediately for application form (quote ref. 1283/WW and enclose s.a.c.): BBC Appointments, London, W1A 1AA. Tel. 01-580 4468 Ext. 4619.

We are an Equal Opportunities employer



## A NUMBER OF THINGS YOU SHOULD KNOW ABOUT COMMUNICATIONS TECHNOLOGY

Those 'things you should know' are the opportunities available to people with experience in high technology areas of the communications industry. Below are a sample. Telephone Paul Hecquet on Lewes (07916) 71271 to discuss these and many more.

- |   |                   |                      |
|---|-------------------|----------------------|
| <b>Video (Image Processing) Design Engineer</b>   | <b>c £15,000</b>  | <b>Home Counties</b> |
| Experience in fields such as slowscan would be desirable. Ref: 3/80.                                  |                   |                      |
| <b>RF Senior Development Engineer</b>   | <b>c £11,000</b>  | <b>West Country</b>  |
| Design and Development on advanced range of signal processing (High frequency) components. Ref: 4/13. |                   |                      |
| <b>Cabel TV Systems Engineer</b>  | <b>c £16,000+</b> | <b>Home Counties</b> |
| To work on cable TV proposals involving total systems (turnkey) design. Ref: 5/79.                    |                   |                      |
| <b>RF Circuit Design</b>  | <b>c £9,000</b>   | <b>Home Counties</b> |
| Design and Development RF circuitry for commercial mobile radio systems. Ref: 3/28.                   |                   |                      |
| <b>RF/ATE Group Manager</b>   | <b>c £20,000</b>  |                      |
| Responsible for Design/Development and manufacture of RF/ATE. Ref: 6/48.                              |                   |                      |

(2079)

## The Electronics Recruitment Company

Temple House  
25/26 High Street, Lewes  
East Sussex BN7 2LU  
Tel: Lewes (07916) 71271

### SOUTHERN DERBYSHIRE HEALTH AUTHORITY MANOR HOSPITAL, UTTOXETER ROAD DERBY DE3 3NB ENGINEERING ELECTRONICS TECHNICIAN III

To carry out maintenance, repair and modification of electronic equipment used in medical and engineering applications. The successful applicant will be expected to undertake necessary training to enable him/her to maintain medical gas equipment. A current driving licence and possession of a car are essential. Applicants should be qualified to O.N.C. or equivalent standard and have at least three years' experience in a similar position of responsibility.

Application form and further details from: Mr. D. Hargreaves, Assistant District Works Officer (Engineering). (Ref. No. 895).

(2057)

### Filter Engineer

An opportunity has arisen for a professional filter engineer experienced in the specification and design of complex passive filters. Experience in active and SAW filters or other areas of electronics would be advantageous. This is a permanent, senior position in an expanding company.

Apply to:  
WIRELESS WORLD  
BOX NO. 2077  
for further details

(2077)

### Broadcast/ Data Comms Engineers

HNC standard for both permanent and contract positions.

Tel. Camberley 0276 62466  
Jenrick (agy) (2083)

### LOGEX ELECTRONICS RECRUITMENT

Specialists in Field & Customer Engineering appointments, all locations and disciplines.

Logex House, Burleigh, Stroud  
Gloucestershire GL5 2PW  
0453 883264 & 01-290 0267  
(24 hours)

### Services

The Professional CV people

- ★ Quick
- ★ Efficient
- ★ Confidential

We prepare top-quality résumés at a price you can afford

For further information write/phone:  
CV Services, 10 Wilton Road, Hitchin,  
Herts SG5 1SS. Tel: Hitchin (0462) 31836  
(2073)

R & D OPPORTUNITIES. Senior level vacancies for Communications Hardware and Software Engineers, based in West Sussex. Competitive salaries offered. Please ring David Bird at Rediffusion Radio Systems on 01-874 7281. (1162)

## Telecommunications Technicians

### Up to £9403

The posts available are varied, but broadly they fall into 2 groups at 3 different locations.

### HANSLOPE PARK (MILTON KEYNES) and CENTRAL LONDON

for installation, maintenance and other work associated with HF communications equipment, VHF, UHF and microwave links and associated test equipment; teleprinters, telephone subscribers' apparatus, PMBXs, PAXs, PABXs and ancillary equipment including that using analogue and digital techniques and voice frequency telegraph.

### CROWBOROUGH, SUSSEX

for maintenance and operation of high power, medium and short wave broadcasting transmitters and associated equipment.

Applicants should normally have 4 years' relevant experience, and must hold one or more of the following:

- ★ ONC in Engineering (with pass in Electrical Engineering 'A')
  - ★ ONC in Applied Physics
  - ★ TEC/SCOTEC certificate
  - ★ City & Guilds Telecommunications Technicians Certificate Part II (Course No. 271) or Part I plus Maths 'B', Telecommunications Principles 'B' and one other subject.
  - ★ a pass in the Council of Engineering Institutions Part I examination
  - ★ an equivalent or higher relevant qualification.
- Ex-Service personnel who have had suitable training and at least 3 years' appropriate service (as Staff Sergeant or equivalent) will also be considered.

Salary: £5983-£8183; London £1220 more. Starting salary may be above minimum for those with additional relevant experience. Promotion prospects are good.

Relocation assistance may be available.

For an application form (to be returned by 19 May) write to: Foreign & Commonwealth Office, Hanslope Park, Hanslope, Milton Keynes MK19 7BH, or telephone Milton Keynes (0908) 510444 Ext. 232. Please quote reference YHU/TT2/83.

Foreign & Commonwealth Office

(2065)

## Telecommunications Engineer

### £9,504-£10,071

The responsibilities will cover the design, construction and installation of purpose-built telecommunications equipment and modifications to installed equipment subject to CAA approval. The successful applicant will also be required to assist other members of the Telecommunications Section in the maintenance and repair of equipment within the Telecommunications Department.

Applicants should be educated to at least HNC or equivalent in Electronics and have a minimum of five years' practical experience in fields including RF, AF and Digital Techniques.

Generous relocation expenses are payable in appropriate cases and temporary housing accommodation may be available.

Application forms, returnable by May 6th, 1983, may be obtained from the Personnel Department, Town Hall, Luton LU1 2BQ. Tel: Luton 31291 ext 2300. (2090)



# Electronics Design Engineers

## Communications

R/F VHF UHF Systems  
R/F HF Systems  
Microwave Equipment  
Analogue Digital Circuitry  
Message Circuit Switching  
Cryptographic Systems

Marconi Space and Defence Systems, Communications Division, are rapidly expanding their civil and military projects. Additional experienced staff qualified to PhD/Degree/HND/HNC are required at all levels of responsibility for software/hardware development in the above areas. Our salary scales match the high standards of qualifications, experience and ability demanded. We offer a comprehensive range of benefits together with relocation assistance if required.

Phone Portsmouth 674019 for further information and an application form. Alternatively, you can write to Jack Burnie, Marconi Space and Defence Systems Limited, Browns Lane, The Airport, Portsmouth, Hants, quoting ref: BL 25. (All posts are open to men and women)

**Marconi**  
Space & Defence Systems



## EVTR is looking for a young Video Engineer

EVTR is a broadcast television facilities company specialising in the use of computer editing equipment.

We need a qualified electronics person who is willing to work a shift system and gain experience of broadcast, video tape recording and operational engineering.

Please telephone Andy Thompson  
on 01-631 4421  
21 Great Tichfield Street  
London, W.1

(2063)

### ARTICLES FOR SALE

Word Processor Clearance Sale. BDP/Quine Daisy-wheel printer, 2 discs; £595. Adler SE2000-Golfball printer, single disc; £450. Kalle Infortec 7000-Golfball printer. Single tape; £350. All + VAT. Autotype, Haywards Heath (0444) 414484 money off voucher). 23 Irwin Drive, Horsham, RH12 1NL. No callers. (2017)

BILLINGTON VALVES. Electronic valve specialists (also bulk suppliers of transistors). SAE-IRC for quotation on your requirements. We offer an unrivalled service supplying rare/obsolete valves. Send 25p + L.S.A.E. For our valve listing (Includes money off voucher). 23 Irwin Drive, Horsham, RH12 1NL. No callers. (2069)









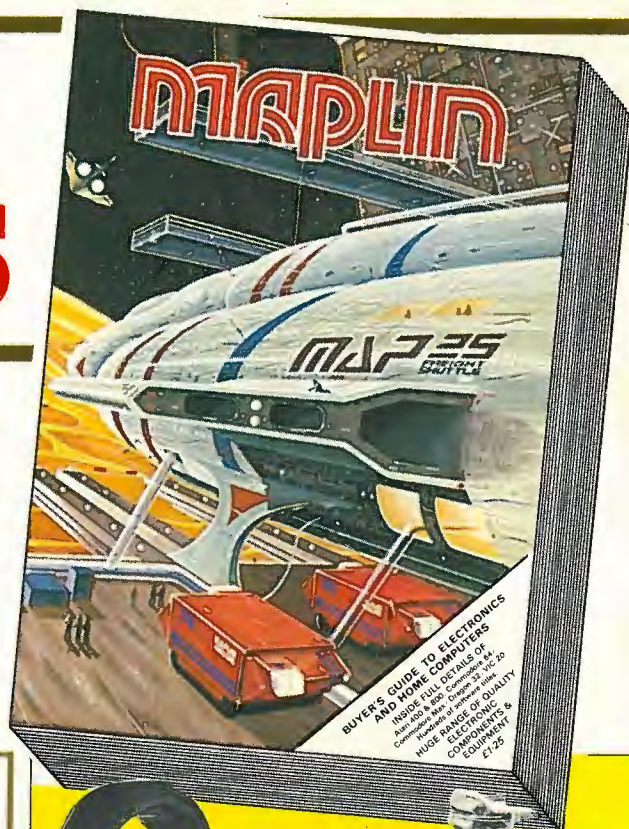


# TRADE PRICES

from

# MAPLIN

Look at these examples  
from our huge range.



Code	Description	Cat. Page	Retail Price Incl. VAT	Min. Trade Qty.	Price Each for Min. Tr. Quantity excl. VAT
XB54J	Aerial Rotator	25	£39.95	5	£29.00
YG00A	Ni-Cad AA 500mAh	26	£1.25	50	75p
FB15R	Electrolytic 2.2uF 63V	90	10p	500	4.5p
FB22Y	Electrolytic 10uF 25V	90	9p	1000	3.5p
FB49D	Electrolytic 100uF 25V	90	14p	500	6.5p
FB73Q	Electrolytic 470uF 25V	90	30p	250	12p
FB83E	Electrolytic 1000uF 25V	90	40p	250	17p
FB96E	Electrolytic 4700uF 25V	90	£1.25	50	58p
YG41U	27MHz Rubber Duck	99	£4.75	25	£2.95
XG13P	1.5m CB Aerial	99	£13.95	5	£8.45
LB72P	2-Station Intercom	102	£8.75	10	£4.95
HF85G	1/4in. Jack Plug plastic barrel	142	19p	500	9p
HF88V	1/4in. Jack Plug stereo plastic barrel	142	28p	250	15p
HF87U	1/4in. Jack Plug metal barrel	142	39p	250	22p
HF89V	1/4in. Jack Plug stereo metal barrel	142	45p	250	28p
RW67X	13A nylon Mains Plug British	157	79p	100	45p
WL27E	LED 0.2in. Red	182	12p	500	6p
WL28F	LED 0.2in. Green	182	19p	500	10p
WL29G	LED 0.2in. Orange	182	33p	250	19p
WL30H	LED 0.2in. Yellow	182	17p	500	9p
RK07H	Panel Meter 100uA	197	£2.95	25	£1.95
RK09K	Panel Meter 1mA	197	£2.95	25	£1.95
RK19V	Panel Meter VU	197	£2.95	25	£1.95
YQ47B	Dual VU Meter	197	£3.90	25	£2.30
YR84F	Professional Plugblock	201	£6.95	10	£4.95
RX96E	20mm Fuse Holder	250	45p	250	24p
M10R-M1M	Metal Film 0.4W 1% Resistor	262	2p	1000	1p
FW00A-FW09K	Rotary Potentiometers linear	265	45p	250	32p
FW21X-FW29G	Rotary Potentiometers log	265	45p	250	32p
QL80B	1N4148	270	4p	1000	2p
QL22Y	741C 8-pin DIL	270	23p	500	12p
QH66W	NE555	270	21p	500	12p
QQ06G	4164 64K dynamic RAM	271	£5.99	100	£3.84
BL18U	DIL Socket 14-pin	336	11p	500	7.5p
BL17T	DIL Socket 8-pin	336	9p	1000	4.5p
WF14Q	Stereo Headphone with slide volume controls	342	£7.99	10	£4.95
FH00A	Sub-min Toggle Switch SPDT	347	70p	100	45p
FH04E	Sub-min Toggle Switch DPDT	347	99p	100	59p
FF73Q-FF76H	Rotary Switch break before make	348	74p	100	46p
FH42V-FH45Y	Rotary Switch make before break	348	70p	100	42p
YW93B	1000 ohm per volt Multimeter	362	£4.85	25	£2.95
YW68Y	20,000 ohm per volt Multimeter with Transistor Tester	363	£16.25	5	£10.45
BR75S	Box-joint Insulated 4 1/2in. Cutters	370	£6.93	10	£4.45
BR78K	Box-joint Insulated 4 1/2in. Pliers	371	£5.72	10	£3.95

Retail prices guaranteed until 4th May 1983. Quantity prices shown are subject to change without notice. Please check with us before ordering.

Most items in our catalogue are available at competitive trade prices; the bigger the quantity the better the price. If you find the example prices attractive, then contact us now with your requirements for a quotation. Phone Southend (0702) 552911 or write to us at P.O. Box 3, Rayleigh, Essex, SS6 8LR. Please ask for trade sales desk.



Copies of our catalogue are available in all branches of W.H. Smith, price £1.25. In case of difficulty, send £1.50 to our mail-order address. Overseas price £1.90.

## Maplin Electronic Supplies Ltd.

All mail to P.O. Box 3, Rayleigh, Essex SS6 8LR. Tel. (0702) 552911.  
Shops at 159 King St., Hammersmith, W6. Tel. 01-748 0926.  
Lynton Square, Perry Barr, Birmingham. Tel: 021-356 7292.  
284 London Road, Westcliff-on-Sea, Essex. Tel. (0702) 554000.  
Shops closed all day Monday.

WW5/83